

Type:
Job:
Fixture Catalog number:

Fixture and Finish

Mounting Options:

Ordered Separately from Fixture
 See pages 2-4

Approvals:

Date:
Page: 1 of 4

Specifications

Hood: Die-cast aluminum.

Husk: Die-cast aluminum.

Globe: (EL120) Fluted glass, threaded to husk, with neoprene gasket. **(EL121)** Diffused-coated glass, threaded to husk, with neoprene gasket.

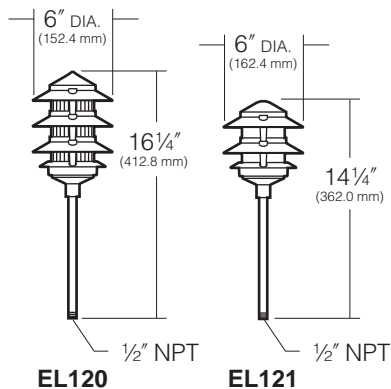
Stem: 1/2" schedule 40 aluminum pipe with 1/2" NPT and solid brass locknut for mounting.

Socket: Porcelain medium base.

Wiring: No. 18AWM rated 105°C.

Finish: Super TGIC thermoset polyester powder coat paint, 2.5 mil nominal thickness, applied over a titanated zirconium conversion coating; 2500 hour salt spray test endurance rating. Standard colors are Black **(BL)**, Dark Bronze **(DB)**, and Verde Green **(GR)**.

Certification: UL Listed to U.S. and Canadian safety standards for wet locations.



ORDERING INFORMATION

Fixture	Finish
<input type="checkbox"/> EL120BL	Black
<input type="checkbox"/> EL120DB	Dark Bronze
<input type="checkbox"/> EL120GR	Verde Green

Wattage / Lamp

100W
 A-21
 Incandescent

Fixture	Finish
<input type="checkbox"/> EL121BL	Black
<input type="checkbox"/> EL121DB	Dark Bronze
<input type="checkbox"/> EL121GR	Verde Green

Wattage / Lamp

75W
 A-19
 Incandescent



KIM LIGHTING RESERVES THE RIGHT TO CHANGE SPECIFICATIONS WITHOUT NOTICE.

Type:

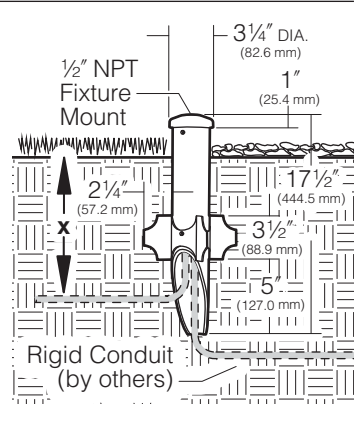
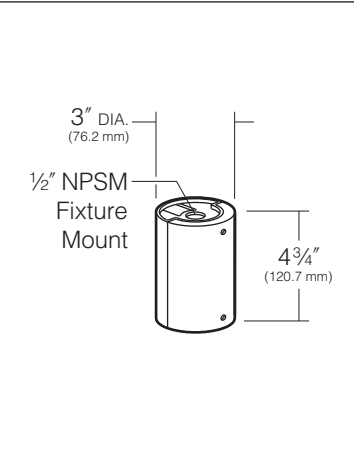
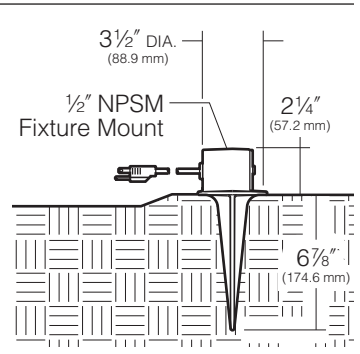
Job:

Page: 2 of 4



Mounting Options

Ordered Separately from Fixture

<p>Landscape Light Post by Engineered Products Co.</p> <p>Cat. No. <input type="checkbox"/> EP17 <input type="checkbox"/> No Option</p>	<p>PVC fixture molded in black with 1/2" NPT mount is corrosion free and UV resistant. Replaces EMT, conduit connectors and weatherproof boxes. 100% shatter resistant against denting and cracking. Angled bottom to eliminate cable congestion.</p> <p>17 1/2" post length</p> <p>NOTE: EP17 should be used with a UL listed fixture and grounding means (i.e., third wire) suitable for use in wet locations.</p> <p>"x" = required depth of conduit per local codes.</p>	
<p>Architectural Junction Box</p> <p>Cat. No. Finish</p> <p><input type="checkbox"/> JB1/BL Black</p> <p><input type="checkbox"/> JB1/DB Dark Bronze</p> <p><input type="checkbox"/> JB1/GR Verde Green</p> <p><input type="checkbox"/> No Option</p>	<p>Die-cast aluminum with 1/2" NPSM fixture mount. Internal set screw provided for locking position. Two 1/2" NPSM in bottom, 17 cu in. internal volume. Super TGIC powder coat paint over clear anodizing and titanated zirconium conversion coating.</p> <p>NOTE: May also be used to hard mount low voltage fixtures.</p> <p>Application Notes</p> <ul style="list-style-type: none"> • Elevates Accent Lights above ground cover to prevent foliage from blocking the light. • Elevates Path Lights above ground cover to achieve a greater light throw. <p>CAUTION: Junction Box must be installed high enough to avoid contact with soil or standing water.</p>	
<p>Portable Spear Mount</p> <p>Cat. No. <input type="checkbox"/> J-25N <input type="checkbox"/> No Option</p>	<p>Cast iron with 1/2" NPSM fixture mount. Hot dip galvanized finish. 5.5 cu in. splice compartment. (SJTW-A) 3 wire cord and plug.</p> <p>9' cord length</p>	

Type:

Job:

Page: 3 of 4



Mounting Options

Ordered Separately from Fixture

Brass In-grade Architectural Junction Box

Cat. No.

- JBR-2
 JBR-3
 JBR-21
 JBR-24
 No Option

Die-cast brass with 1/2" NPSM fixture mount and die-cast cover. Internal set screw provided for locking position. 18 cu in. internal volume.

- JBR-2** (2) 1/2" NPT in bottom
JBR-3 (2) 3/4" NPT in bottom
JBR-21 (2) 1/2" NPT in sides, (2) 1/2" NPT in bottom
JBR-24 (4) 1/2" NPT in sides, (2) 1/2" NPT in bottom

All side taps provided with plugs.

NOTE: May also be used to hard mount low voltage fixtures.

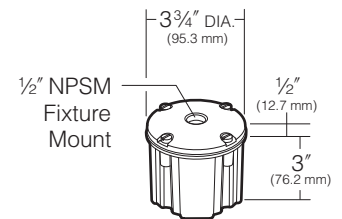
25 Year Limited Warranty:

Solid brass junction boxes are warranted for 25 years, from date of sale, against manufacturing defects and failure due to corrosion.

Application Notes

- Creates a flush-mounted appearance.
- May be cast in concrete for increased stability.

CAUTION: Fixture stem and swivel must not contact soil or standing water. Provide drainage away from junction box.



Brass In-grade Staked Junction Box

Cat. No.

- JBR30
 No Option

JBR30 BRASS IN-GRADE STAKED JUNCTION BOX

Die-cast brass with 1/2" NPSM fixture mount and die-cast cover. Internal set screw provided for locking position. 18 cu in. internal volume.

(2) 1/2" NPT in bottom with (2) 19" long brass stakes

NOTE: May also be used to hard mount low voltage fixtures.

Brass In-grade Staked Junction Box with Cord

Cat. No.

- JBR32
 No Option

JBR32 BRASS IN-GRADE STAKED JUNCTION BOX WITH CORD

Die-cast brass with 1/2" NPSM fixture mount and die-cast cover. Internal set screw provided for locking position. 18 cu in. internal volume. (SJTW-A) 3 wire cord and plug.

(2) 19" long brass stakes with 9' cord

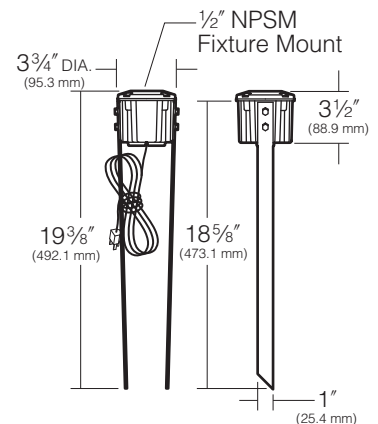
25 Year Limited Warranty:

Solid brass junction boxes are warranted for 25 years, from date of sale, against manufacturing defects and failure due to corrosion.

Application Notes

- Creates a flush-mounted appearance.
- May be cast in concrete for increased stability.

CAUTION: Fixture stem and swivel must not contact soil or standing water. Provide drainage away from junction box.



Type:

Job:

Page: 4 of 4



Mounting Options

Ordered Separately from Fixture

Stanchion Mount

Cat. No.	Finish
<input type="checkbox"/> SM18/BL	Black
<input type="checkbox"/> SM18/DB	Dark Bronze
<input type="checkbox"/> SM18/GR	Verde Green
<input type="checkbox"/> No Option	

3" O.D. by .188" wall cast aluminum with 1/2" NPSM fixture mount and hand hole with flush cover. Internal set screw fixture lock accessible through hand hole. Internal ground lug supplied with installed lead. Super TGIC powder coat paint over clear anodizing and titanated zirconium conversion coating.

NOTE: May also be used to hard mount low voltage fixtures.

