

Type:
Job:
Catalog number:

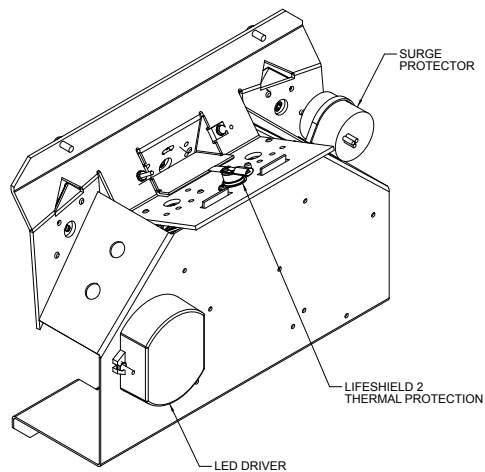
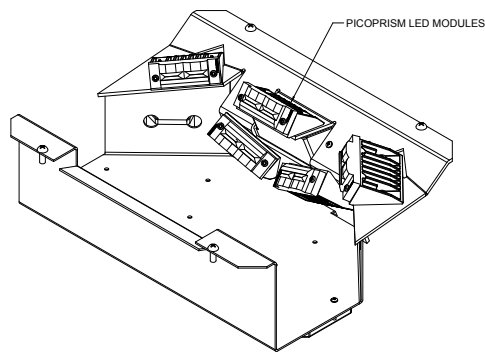
Approvals:

LLF40-LED-KITP35 / /

Fixture	Electrical Module	Options
	See page 2	See page 2

Date:
Page: 1 of 3

Specifications



Electronic Module: All electrical components are UL and CSA recognized, mounted on a single plate and factory prewired with quick-disconnect plugs. Module includes a driver, thermal control device and surge protector. Electrical and optical modules attaches to housing with stainless steel hardware. Driver is rated for -40°F starting and has a 0-10V dimming interface with a dimming range of 10-100%. Note: Not compatible with current sourcing dimmers. Controls compatible via Gray and Purple dimming lead.

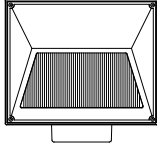
Optical Module: Each precision, replaceable PicoPrism is positioned to achieve directional control toward desired task. The entire optical system fastens to the housing as a one-piece module.

Caution: Fixtures must be grounded in accordance with national, state and/or local electrical codes. Failure to do so may result in serious personal injury.


Type:

Job:

Page: 2 of 3



Standard Features

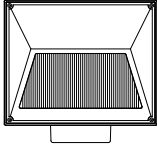
<p>Electrical Module</p>	<table border="1"> <thead> <tr> <th>Fixture</th> <th>Source</th> </tr> </thead> <tbody> <tr> <td><input type="checkbox"/> 20L2KUV¹</td> <td>21W 20 LEDs, 580nm - Amber color temperature</td> </tr> <tr> <td><input type="checkbox"/> 20L3KUV¹</td> <td>21W 20 LEDs, 3000K color temperature</td> </tr> <tr> <td><input type="checkbox"/> 20L4KUV¹</td> <td>21W 20 LEDs, 4200K color temperature</td> </tr> <tr> <td><input type="checkbox"/> 20L5KUV¹</td> <td>21W 20 LEDs, 5100K color temperature</td> </tr> </tbody> </table> <p>²UV = Universal Voltage from 120 to 277V with a $\pm 10\%$ tolerance.</p>	Fixture	Source	<input type="checkbox"/> 20L2KUV¹	21W 20 LEDs, 580nm - Amber color temperature	<input type="checkbox"/> 20L3KUV¹	21W 20 LEDs, 3000K color temperature	<input type="checkbox"/> 20L4KUV¹	21W 20 LEDs, 4200K color temperature	<input type="checkbox"/> 20L5KUV¹	21W 20 LEDs, 5100K color temperature
Fixture	Source										
<input type="checkbox"/> 20L2KUV¹	21W 20 LEDs, 580nm - Amber color temperature										
<input type="checkbox"/> 20L3KUV¹	21W 20 LEDs, 3000K color temperature										
<input type="checkbox"/> 20L4KUV¹	21W 20 LEDs, 4200K color temperature										
<input type="checkbox"/> 20L5KUV¹	21W 20 LEDs, 5100K color temperature										
<p>0-10V Dimming Interface</p>	<p>Driver has a 0-10V dimming interface with a dimming range of 10-100%. Is compatible with most control systems. Approved dimmers include Lutron Diva AVTV, Lutron Nova NFTV and NTFTV. Note: Not compatible with current sourcing dimmers. Controls compatible via Gray and Purple dimming lead.</p> 										

Optional Features

<p>Emergency Battery Back-Up: Cat. No. <input type="checkbox"/> EM <input type="checkbox"/> No Option</p>	<p>EM – Internal battery pack provides 90 minutes of supplemental light at 41% of absolute lumens.</p>
<p>Smart Control MicroWave: Cat. No. <input type="checkbox"/> SC-MV <input type="checkbox"/> No Option</p>	<p>SC-MV – Integrated controls for occupancy sensing with bi-level dimming. Time delay: 10 min., range of 5 m.</p>

Type:

Job:



Lumen Data

Spectroradiometric			
	3000K Average	4200K Average	5100K Average
Correlated Color Temp. CCT (K)	2800K-3175K	3800K-4600K	4600K-5600K
Color Rendering Index (CRI)	≥75	≥70	≥65
Power Factor	>0.90	>0.90	>0.90

Projected Lumen Maintenance		
mA	50,000 hrs	100,000 hrs
350	0.97	0.95

Electrical Driver Current		
Maximum Watts	Volts	Amps
21	120	.18
	208	.10
	240	.09
	277	.08

Absolute Lumens	
CCT	LLF40
3000K	1247
4200K	1593
5100K	1732

Lumens Per Watt	
CCT	LLF40
3000K	59.4
4200K	75.9
5100K	82.5