

JOB _____

TYPE _____

NOTES _____

APPROVALS _____

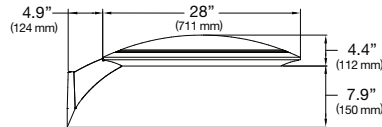
FEATURES

- 28" size in post top, pole and wall mount
- High performance optics up to 35,000 delivered lumens
- Elegant form factor
- Diffusion lens for low glare comfort
- SiteSync™ wireless control options

CERTIFICATIONS



SPECIFICATIONS



Weight: 50 lbs EPA: .524

ORDERING CODE

Series	LED Engine	CCT	Distribution	Rotation	Voltage	Mounting
UR28 Ouro	No Lens or Clear Lens 96L-155 20,000 lm 96L-170 22,500 lm 96L-185 24,000 lm 96L-220 27,000 lm 96L-255 30,000 lm 96L-315 35,000 lm HDL - High Diffusion Lens 114L-160 18,000 lm 114L-180 20,000 lm 114L-265 25,000 lm	AM Amber 3K7 3000K, 70 CRI 3K8 3000K, 80 CRI 3K9 3000K, 90 CRI 4K7 4000K, 70 CRI 4K8 4000K, 80 CRI 5K7 5000K, 70 CRI	No Lens or Clear Lens FR Type I/Front Row 2 Type II 3 Type III 4 Type IV 4W Type IV Wide 5QM Type V Square Medium 5QN Type V Square Narrow 5R Type V Rectangular 5W Type V Wide (Round) HDL - High Diffusion Lens 3 Type III/Asymmetric 5W Type V/Symmetric	Blank for no rotation L ¹ Optic rotation left R ¹ Optic rotation right	UNV 120-277V 347 347V 480 480V DALI 120-277V [†] † Consult factory	ASQ Arm Square pole A34 Arm mt 3.3-4.2" OD pole A46 Arm mt 4.5-6.0" OD pole MAF Horizontal Slip Fitter 2 3/8" OD arm SVSF Square Vertical Slipfitter for 2" Tenon (2-3/8" OD) VSF Round Vertical Slipfitter for 2" Tenon (2-3/8" OD) WB Wall Bracket
Fixture Finish	Control Options	Options	Control Accessories [^]			
BL Black DB Dark Bronze LG Light Gray GT Graphite PS Platinum Silver TT Titanium WH White CC Custom Color [†] † Consult factory	7PR-TL 7 pin PCR with twist lock photocontrol 7PR-SC 7 pin PCR with shorting cap 7PR 7 pin PCR, wireless control enabled AD-01 ² AstroDIM: 50% output at midnight AD-02 ² AstroDIM: 50% output midnight to 4 AM AD-03 ² AstroDIM: 50% output 10PM AD-04 ² AstroDIM: 50% output 10PM to 4AM NXWE NX Wireless Enabled SWP ^{2,3,4} SiteSync Pre commission	SWPM-40F ^{2,3,4,5} SiteSync with Sensor 9' to 40' MH WSP-40F-1 ^{2,5} Dimming Occ. Sensor for up to 40' MH, 120/277/347V WSP-40F-2 ^{2,5} Dimming Occ. Sensor for up to 40' MH, 208/240V WSP-40F-3 ^{2,5} Dimming Occ. Sensor for up to 40' MH, 480V NXSPW14F ^{2,5} NX Wireless, PIR Sensor, 14' NXSPW30F ^{2,5} NX Wireless, PIR Occupancy Sensor, Dimming Daylight Harvesting, 30'. NXSP14F ^{2,5} NX, PIR Occupancy Sensor, Dimming Daylight Harvesting, 14' NXSP30F ^{2,5} NX, PIR Occupancy Sensor, Dimming Daylight Harvesting, 30'	SW7PR ^{2,3} SiteSync with 7 pin PCR SWUSB SiteSync Software on USB SWTAB SiteSync Windows® Tablet SWBRG SiteSync Wireless Bridge Node WIR-RME-L wiSCAPE External Fixture Module SCL-R Occ. Sensor for Round Pole (up to 16' MH) SCL-S Occ. Sensor for Square Pole (up to 16' MH) SCH-R Occ. Sensor for Round Pole (16' to 30' MH) SCH-S Occ. Sensor for Square Pole (16' to 30' MH) NXOFM-1R1D-UNV NX 7-pin Module [^] Please refer to page 8 for ordering details			

Microsoft, Encarta, MSN, and Windows are either registered trademarks or trademarks of Microsoft Corporation in the United States and/or other countries.

Kim Lighting reserves the right to change specifications without notice.

- 1 Not available with 5QM, 5QN, and 5W distributions.
- 2 Not available with other sensor or wireless control options.
- 3 Specify group and zone at time of order. See www.hubbellighting.com/sitesync for more details. Order at least one SiteSync interface accessory SWUSB or SWTAB. Each option contains SiteSync License, GUI, and Bridge Node.
- 4 Not available with 347V and 480V
- 5 96L only.
- 6 Not available with Type V distributions or HDL option.

LUMINAIRE PERFORMANCE

LED #	Nominal Lumen Package	Nominal Wattage	Lens Options	Distribution	3000K					4000K					5000K				
					Lumen	BUG Rating			lm/w	Lumen	BUG Rating			lm/w	Lumen	BUG Rating			lm/w
						B	U	G			B	U	G			B	U	G	
96L	20,000	155	No Lens	FR	20197	2	0	2	130	20705	2	0	2	134	20942	2	0	2	138
				FR-BC	13112	1	0	1	85	13442	1	0	1	87	13595	1	0	1	89
				2	19112	2	0	3	123	19593	2	0	3	126	19817	2	0	3	130
				2-BC	11385	1	0	2	73	11672	1	0	2	75	11805	1	0	2	76
				3	19331	2	0	4	125	19817	2	0	4	128	20044	2	0	4	132
				3-BC	11591	1	0	2	75	11882	1	0	2	77	12018	1	0	2	78
				4	19130	1	0	4	123	19611	1	0	4	127	19835	1	0	4	130
				4-BC	14322	1	0	3	92	14682	1	0	3	95	14850	1	0	3	97
				4W	19065	3	0	4	123	19545	3	0	4	126	19768	3	0	4	130
				4W-BC	12212	1	0	3	79	12519	1	0	3	81	12662	1	0	3	83
				5QM	19910	4	0	2	128	20411	4	0	2	132	20644	4	0	2	136
				5QN	19685	4	0	0	127	20181	4	0	0	130	20411	4	0	0	134
			5R	19933	4	0	4	129	20435	4	0	4	132	20668	4	0	4	136	
			5W	20182	5	0	3	130	20689	5	0	3	133	20926	5	0	3	138	
			Clear Lens	FR	19187	2	0	2	124	19670	2	0	2	127	19895	2	0	2	130
				FR-BC	12456	0	0	1	80	12769	0	0	1	82	12915	0	0	1	83
				2	18156	2	0	3	117	18613	2	0	3	120	18826	2	0	3	123
				2-BC	10816	1	0	2	70	11088	1	0	2	72	11215	1	0	2	72
				3	18364	2	0	3	118	18826	2	0	3	121	19041	2	0	3	124
				3-BC	10873	1	0	2	70	11147	1	0	2	72	11274	1	0	2	73
				4	18173	1	0	4	117	18630	1	0	4	120	18843	1	0	4	123
				4-BC	13606	1	0	3	88	13948	1	0	2	90	14108	1	0	2	91
				4W	18112	2	0	3	117	18568	2	0	4	120	18780	2	0	4	123
				4W-BC	11601	1	0	3	75	11893	1	0	3	77	12029	1	0	3	78
5QM	18914	4		0	2	122	19390	4	0	2	125	19612	4	0	2	128			
5QN	18701	4		0	0	121	19172	4	0	0	124	19391	4	0	0	127			
5R	18937	4	0	4	122	19413	4	0	4	125	19635	4	0	4	128				
5W	19173	5	0	3	124	19655	5	0	3	127	19880	5	0	3	130				
114L		160	HDL Lens	3	17717	3	0	3	111	18162	3	0	3	114	18370	3	0	3	116
				5W	18962	4	0	2	119	18345	4	0	2	115	18555	4	0	2	117

Kim Lighting reserves the right to change specifications without notice.

LUMINAIRE PERFORMANCE

LED #	Nominal Lumen Package	Nominal Wattage	Lens Options	Distribution	3000K				4000K				5000K							
					Lumen	BUG Rating			lm/w	Lumen	BUG Rating			Lumen	BUG Rating			lm/w		
						B	U	G			B	U	G		B	U	G			
96L	22,500	170	No Lens	FR	22638	2	0	2	133	23207	2	0	2	137	23473	2	0	2	138	
				FR-BC	14696	1	0	1	87	15066	1	0	1	89	15238	1	0	1	90	
				2	21421	2	0	3	126	21960	2	0	3	129	22211	3	0	3	131	
				2-BC	12761	1	0	2	75	13082	1	0	2	77	13232	1	0	2	78	
				3	21667	2	0	4	127	22212	3	0	4	131	22466	3	0	4	132	
				3-BC	12991	1	0	2	76	13318	1	0	3	78	13470	1	0	3	79	
				4	21441	2	0	4	126	21981	2	0	4	129	22232	2	0	4	131	
				4-BC	16053	1	0	3	94	16456	1	0	3	97	16645	1	0	3	98	
				4W	21369	3	0	4	126	21907	3	0	4	129	22157	3	0	4	130	
				4W-BC	13687	1	0	3	81	14032	1	0	3	83	14192	1	0	3	84	
				5QM	22316	4	0	2	131	22877	4	0	2	135	23139	4	0	2	136	
				5QN	22064	4	0	0	130	22619	4	0	0	133	22878	5	0	0	135	
				5R	22342	4	0	4	131	22904	4	0	4	135	23166	4	0	4	136	
				5W	22621	5	0	3	133	23190	5	0	3	136	23455	5	0	3	138	
				Clear Lens	FR	21073	2	0	2	124	21603	2	0	2	127	21850	2	0	2	129
					FR-BC	13681	1	0	1	80	14025	1	0	1	82	14476	1	0	1	85
					2	19941	2	0	3	117	20443	2	0	3	120	20676	2	0	3	122
					2-BC	11879	1	0	2	70	12178	1	0	2	72	12570	1	0	2	74
		3	20169		2	0	3	119	20677	2	0	3	122	20913	2	0	3	123		
		3-BC	11942		1	0	2	70	12242	1	0	2	72	12382	1	0	2	73		
		4	19959		1	0	4	117	20461	1	0	4	120	20695	1	0	4	122		
		4-BC	14943		1	0	3	88	15319	1	0	3	90	15812	1	0	3	93		
		4W	19892		3	0	4	117	20393	3	0	4	120	20626	3	0	4	121		
		4W-BC	12741		1	0	3	75	13062	1	0	3	77	13482	1	0	3	79		
5QM	20773	4	0	2	122	21296	4	0	2	125	21539	4	0	2	127					
5QN	20539	4	0	0	121	21056	4	0	0	124	21297	4	0	0	125					
5R	20798	4	0	4	122	21321	4	0	4	125	21565	4	0	4	127					
5W	21057	5	0	3	124	21587	5	0	3	127	21834	5	0	3	128					
114L		180	HDL Lens	3	19161	3	0	3	106	19643	3	0	3	109	19867	3	0	3	112	
				5W	19354	4	0	2	108	19841	4	0	2	110	20265	4	0	2	114	

Kim Lighting reserves the right to change specifications without notice.

LUMINAIRE PERFORMANCE

LED #	Nominal Lumen Package	Nominal Wattage	Lens Options	Distribution	3000K				4000K				5000K						
					Lumen	BUG Rating			lm/w	Lumen	BUG Rating			lm/w	Lumen	BUG Rating			lm/w
						B	U	G			B	U	G			B	U	G	
96L	24,000	185	No Lens	FR	24011	2	0	2	130	24615	2	0	2	133	24897	2	0	2	134
				FR-BC	15588	1	0	1	84	15980	1	0	1	86	16163	1	0	1	87
				2	22721	3	0	3	123	23293	3	0	3	126	23559	3	0	3	127
				2-BC	13535	1	0	2	73	13876	1	0	2	75	14034	1	0	2	75
				3	22981	2	0	4	124	23559	3	0	4	127	23829	3	0	4	128
				3-BC	13780	1	0	3	74	14126	1	0	3	76	14288	1	0	3	77
				4	22742	2	0	4	123	23314	2	0	4	126	23581	2	0	4	127
				4-BC	16793	1	0	4	90	17215	1	0	4	93	17412	1	0	4	94
				4W	22666	3	0	4	123	23236	3	0	4	126	23501	3	0	4	126
				4W-BC	14518	1	0	3	78	14883	1	0	3	80	15053	1	0	3	81
				5QM	23669	4	0	2	128	24265	4	0	2	131	24542	4	0	2	132
				5QN	23403	5	0	0	127	23992	5	0	0	130	24266	5	0	0	131
			5R	23697	4	0	4	128	24294	4	0	4	131	24571	4	0	4	132	
			5W	23993	5	0	3	130	24596	5	0	3	133	24878	5	0	3	134	
			Clear Lens	FR	22364	2	0	2	121	23189	2	0	2	125	23454	2	0	2	125
				FR-BC	14685	1	0	1	79	15054	1	0	1	81	15226	1	0	1	81
				2	21163	2	0	3	114	21943	2	0	3	119	22194	3	0	3	119
				2-BC	12751	1	0	2	68	13072	1	0	2	70	13221	1	0	2	71
				3	21405	3	0	3	116	22194	3	0	3	120	22448	3	0	3	120
				3-BC	12673	1	0	2	69	13141	1	0	2	71	13291	1	0	2	72
				4	21182	1	0	4	114	21963	2	0	4	119	22214	2	0	4	119
				4-BC	16040	1	0	3	86	16443	1	0	3	88	16631	1	0	3	89
				4W	21111	3	0	4	114	21889	3	0	4	118	22140	3	0	4	118
				4W-BC	13676	1	0	3	73	14020	1	0	3	75	14181	1	0	3	76
5QM	22046	4		0	2	119	22859	4	0	2	124	23120	4	0	2	124			
5QN	21798	4		0	0	118	22601	4	0	0	122	22860	5	0	0	122			
5R	22072	4	0	4	119	22886	4	0	4	124	23148	4	0	4	124				
5W	22347	5	0	3	121	23171	5	0	3	125	23436	5	0	3	125				

Kim Lighting reserves the right to change specifications without notice.

LUMINAIRE PERFORMANCE

LED #	Nominal Lumen Package	Nominal Wattage	Lens Options	Distribution	3000K				4000K				5000K						
					Lumen	BUG Rating			lm/w	Lumen	BUG Rating			lm/w	Lumen	BUG Rating			lm/w
						B	U	G			B	U	G			B	U	G	
96L	27,000	220	No Lens	FR	27961	2	0	2	127	28664	2	0	2	130	28992	2	0	2	132
				FR-BC	18152	1	0	1	83	18609	1	0	1	85	18821	1	0	1	86
				2	26459	3	0	4	120	27124	3	0	4	123	27434	3	0	4	125
				2-BC	15762	1	0	2	72	16158	1	0	2	74	16343	1	0	2	74
				3	26762	3	0	4	122	27435	3	0	4	125	27748	3	0	4	126
				3-BC	16046	1	0	3	73	16450	1	0	3	75	16638	1	0	3	76
				4	26483	2	0	4	120	27723	2	0	5	126	27460	2	0	5	125
				4-BC	19827	1	0	4	90	20326	1	0	4	93	20558	1	0	4	93
				4W	26394	3	0	4	120	27817	3	0	5	126	27367	3	0	4	125
				4W-BC	16906	1	0	4	77	17331	1	0	4	79	17529	1	0	4	80
				5QM	27563	5	0	2	125	26637	4	0	2	121	28579	5	0	2	130
				5QN	27253	5	0	0	124	26941	5	0	0	122	28257	5	0	0	129
			5R	27596	5	0	5	125	26606	4	0	4	121	28613	5	0	5	130	
			5W	27940	5	0	4	127	26278	5	0	3	119	28970	5	0	4	132	
			Clear Lens	FR	26399	2	0	2	120	27063	2	0	2	123	27372	2	0	2	125
				FR-BC	17138	1	0	1	78	17569	1	0	1	80	17770	1	0	1	81
				2	24980	3	0	3	114	25608	3	0	3	116	25901	3	0	3	118
				2-BC	14881	1	0	2	68	15255	1	0	2	69	15430	1	0	2	70
				3	25266	3	0	4	115	25902	3	0	4	118	26198	3	0	4	120
				3-BC	14790	1	0	3	67	15162	1	0	3	69	15335	1	0	3	70
				4	25003	2	0	4	114	25632	2	0	4	117	25925	2	0	4	118
				4-BC	18719	1	0	4	85	19190	1	0	4	87	19410	1	0	4	88
				4W	24919	3	0	4	113	25546	3	0	4	116	25838	3	0	4	118
				4W-BC	15961	1	0	4	73	16363	1	0	4	74	16550	1	0	4	75
5QM	26023	4		0	2	118	26678	5	0	2	121	26982	5	0	2	123			
5QN	25730	5		0	0	117	26377	5	0	0	120	26678	5	0	0	122			
5R	26054	4	0	4	118	26709	4	0	4	121	27014	4	0	4	123				
5W	26378	5	0	3	120	27042	5	0	4	123	27351	5	0	4	125				

Kim Lighting reserves the right to change specifications without notice.

LUMINAIRE PERFORMANCE

LED #	Nominal Lumen Package	Nominal Wattage	Lens Options	Distribution	3000K				4000K				5000K							
					Lumen	BUG Rating			lm/w	Lumen	BUG Rating			lm/w	Lumen	BUG Rating			lm/w	
						B	U	G			B	U	G			B	U	G		
96L	30,000	255	No Lens	FR	30691	2	0	2	120	31464	2	0	2	123	31823	2	0	2	126	
				FR-BC	19925	1	0	1	79	20426	1	0	1	81	20659	1	0	1	82	
				2	29042	3	0	4	114	29773	3	0	4	117	30113	3	0	4	119	
				2-BC	17301	1	0	2	68	17736	1	0	2	70	17939	1	0	2	71	
				3	29375	3	0	4	115	30114	3	0	4	118	30458	3	0	4	120	
				3-BC	16835	1	0	3	66	17258	1	0	3	68	17456	1	0	3	68	
				4	29069	2	0	5	114	29801	2	0	5	117	30141	2	0	5	119	
				4-BC	21764	1	0	4	86	22311	1	0	4	88	22566	1	0	4	89	
				4W	28972	3	0	5	114	29700	3	0	5	116	30040	3	0	5	119	
				4W-BC	18557	1	0	4	73	19023	1	0	4	75	19241	1	0	4	76	
				5QM	30255	5	0	2	119	31016	5	0	2	122	31370	5	0	2	124	
				5QN	29914	5	0	1	117	30666	5	0	1	120	31017	5	0	1	123	
				5R	30290	5	0	5	119	31052	5	0	5	122	31407	5	0	5	124	
				5W	30668	5	0	4	120	31440	5	0	4	123	31799	5	0	4	126	
				Clear Lens	FR	29335	2	0	2	115	30073	2	0	2	118	30417	2	0	2	120
					FR-BC	19044	1	0	1	75	19523	1	0	1	77	19746	1	0	1	78
					2	27759	3	0	4	109	28457	3	0	4	112	28782	3	0	4	114
					2-BC	16536	1	0	2	65	16952	1	0	2	67	17146	1	0	2	68
					3	28077	3	0	4	110	28783	3	0	4	113	29112	3	0	4	115
					3-BC	16623	1	0	3	65	17042	1	0	3	67	17236	1	0	3	68
		4	27784		2	0	5	109	28483	2	0	5	112	28809	2	0	5	114		
		4-BC	20802		1	0	4	82	21325	1	0	4	84	21569	1	0	4	85		
		4W	27691		3	0	5	109	28388	3	0	5	111	28712	3	0	5	113		
		4W-BC	17736		1	0	4	70	18183	1	0	4	72	18390	1	0	4	73		
5QM	28917	5	0	2	113	29645	5	0	2	116	29984	5	0	2	118					
5QN	28592	5	0	0	112	29311	5	0	1	115	29646	5	0	1	117					
5R	28952	5	0	5	114	29680	5	0	5	116	30019	5	0	5	119					
5W	29313	5	0	4	115	30050	5	0	4	118	30393	5	0	4	120					
114L		265	HDL Lens	3	26922	3	0	3	102	27600	3	0	3	104	27915	3	0	3	105	
				5W	27193	4	0	3	103	28096	5	0	3	106	28418	5	0	3	107	

Kim Lighting reserves the right to change specifications without notice.

LUMINAIRE PERFORMANCE

LED #	Nominal Lumen Package	Nominal Wattage	Lens Options	Distribution	3000K				4000K				5000K						
					Lumen	BUG Rating			lm/w	Lumen	BUG Rating			lm/w	Lumen	BUG Rating			lm/w
						B	U	G			B	U	G			B	U	G	
96L	35,000	315	No Lens	FR	35296	2	0	2	112	36184	2	0	2	115	36598	2	0	2	117
				FR-BC	22914	1	0	2	73	23490	1	0	2	75	23759	1	0	2	76
				2	33400	3	0	4	106	34240	3	0	4	109	34631	3	0	4	110
				2-BC	19897	1	0	2	63	20397	1	0	2	65	20631	1	0	2	66
				3	33782	3	0	5	107	34632	3	0	5	110	35028	3	0	5	112
				3-BC	20256	1	0	4	64	20765	1	0	4	66	21003	1	0	4	67
				4	33431	2	0	5	106	34272	2	0	5	109	34663	2	0	5	110
				4-BC	25029	1	0	4	80	25659	1	0	4	82	25952	1	0	4	83
				4W	33318	3	0	5	106	34157	3	0	5	108	34547	3	0	5	110
				4W-BC	21341	1	0	4	68	21878	1	0	4	70	22128	1	0	4	70
				5QM	34794	5	0	3	110	35669	5	0	3	113	36077	5	0	3	115
				5QN	34402	5	0	1	109	35267	5	0	1	112	35671	5	0	1	114
			5R	34835	5	0	5	111	35712	5	0	5	113	36120	5	0	5	115	
			5W	35269	5	0	4	112	36157	5	0	4	115	36570	5	0	4	116	
			Clear Lens	FR	34958	2	0	2	111	35837	2	0	2	114	36247	2	0	2	115
				FR-BC	22694	1	0	2	72	23265	1	0	2	74	23531	1	0	2	75
				2	33079	3	0	4	105	33911	3	0	4	108	34299	3	0	4	109
				2-BC	19706	1	0	2	63	20202	1	0	2	64	20433	1	0	2	65
				3	33458	3	0	4	106	34300	3	0	4	109	34692	3	0	4	110
				3-BC	19810	1	0	3	63	20308	1	0	3	64	20540	1	0	3	65
				4	33110	2	0	5	105	33943	2	0	5	108	34331	2	0	5	109
				4-BC	24789	1	0	4	79	25412	1	0	4	81	25703	1	0	4	82
				4W	32999	3	0	5	105	33829	3	0	5	107	34215	3	0	5	109
				4W-BC	21136	1	0	4	67	21668	1	0	4	69	21915	1	0	4	70
5QM	34460	5		0	3	109	35327	5	0	3	112	35731	5	0	3	114			
5QN	34072	5		0	1	108	34929	5	0	1	111	35328	5	0	1	112			
5R	34501	5	0	5	110	35369	5	0	5	112	35773	5	0	5	114				
5W	34931	5	0	4	111	35810	5	0	4	114	36219	5	0	4	115				
114L		330	HDL Lens	3	31451	4	0	3	95	32242	4	0	3	98	32610	4	0	3	99
				5W	31767	5	0	3	96	32566	5	0	3	99	32939	5	0	3	100

Electrical Characteristics										Dimming						
System Watts	Current	Line Voltage		Amps AC						Min. Power Factor	Max THD (%)	Dimming Range	Source current out		Absolute voltage	
		VAC	Hz	120	208	240	277	347	480				Min	Max	Min	Max
155	500 mA	120-480	50/60	1.29	0.75	0.65	0.56	0.45	0.32	>0.9	20	10% to 100%	0mA	1mA	0V	10V
160	430mA			1.33	0.77	0.67	0.58	0.46	0.33							
170	550 mA			1.42	0.82	0.71	0.61	0.49	0.35							
180	475mA			1.50	0.87	0.75	0.65	0.52	0.38							
185	600 mA			1.54	0.89	0.77	0.67	0.53	0.39							
220	700 mA			1.83	1.06	0.92	0.79	0.63	0.46							
255	800 mA			2.13	1.23	1.06	0.92	0.73	0.53							
265	690mA			2.21	1.27	1.10	0.96	0.76	0.55							
315	1000 mA			2.63	1.51	1.31	1.14	0.91	0.66							
330	855mA			2.75	1.59	1.38	1.19	0.95	0.69							

TM-21 LIFETIME CALCULATION

Projected Lumen Maintenance (25°C / 77°F)						
HOURS	0	25,000	36,000	50,000	100,000	Reported L70
Projected Lumen Maintenance	100%	97%	95%	93%	87%	> 60,000 hrs

Kim Lighting reserves the right to change specifications without notice.

SPECIFICATIONS

Housing:

- Low copper aluminum alloy die-casting is designed as one-piece with internal cooling fins.
- Solid, cast aluminum wall creates a thermal barrier between the optical and electrical compartments.
- Molded silicone gasket throughout insures the sealing between the two compartments and provides ingress protection.
- Housing is designed with integral LED heat sink utilized for thermal transfer and for securing the location of each LED module.
- IK09 rated enclosure protects electrical equipment against external mechanical impacts.

Lens Frame:

- One-piece low copper aluminum alloy die-cast is secured to housing with 6 screws.

Backlight Control

- Optional Backlight Control on each LED module to completely control unwanted backlight.

Lens

One-piece flat glass lens slips secure with clips. Extra silicone gasketing is provided to retain a clear optical compartment.

Optical Module:

- LEDs shall be mounted to a metal printed circuit board assembly (MCPCB).
- Optical lenses shall be clear injection molded PMMA acrylic.
- Each MCPCB and optic shall be sealed to the diecast housing and sealed with a continuous one piece injection molded silicone rubber gasket.
- Patent Pending design of optical array shall independently shield each LED optic across the length of the aperture.
- Optional fixture finish optical surfaces shall not exceed BUG ratings of the standard white finish and shall be greater than or equal to the delivered lumens of the optional matte black optical surface finish.

Electrical Components

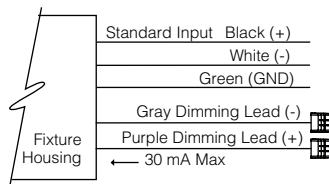
- Standard programmable driver allows for programmable drive current settings.
- Electrical components are strategically located in the driver gear compartment with a molded silicon grommet seal to provide separation from the optical chamber.
- Maximum lightning surge current 20KA with thermally protected varistor technology. Surge suppression is series circuited preventing

total fixture failure. ANSI/IEEE C62.41 Category C High.

- Open circuit fault will turn off the luminaire in order to protect the sensitive electronics and acts as a signal for maintenance.
- Programmable Driver is rated for -40°C starting.
- "Thermal Shield", primary side, thermister provides protection for the sustainable life of electronic components (350mA to 700mA).

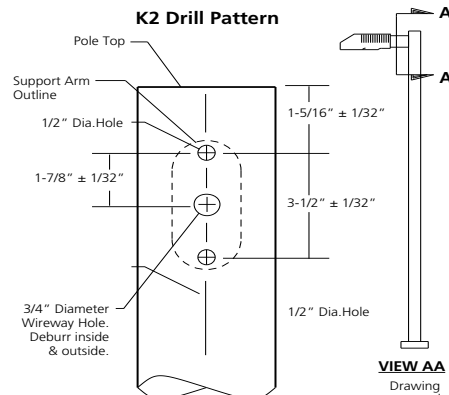
Dimming:

- Dimming range from 100% to 10% through the use of the standard 0-10V interface on the programmable driver.
- Modular wiring harness in the service area provides user access to the dimming circuitry.
- Dimming circuitry compatible with 0-10V, user-defined control devices.
- Optional factory programmed dimming profile.



Support Arm:

- Die-cast, low copper aluminum alloy, with splice access cover.
- Die-cast pole adaptor and an internal reinforcing plate are provided with a wire strain relief.
- The arm adaptor is square or circular cut for specified pole size and shape.
- For field wire connections, a terminal block is mounted in the arm cavity and accessible behind the splice access cover. The block accepts #14 to #8 wire sizes and is factory prewired to the electrical module's quick-disconnect plug inside the electrical compartment.



Optional Slip-Fitter:

- Internally accessible slip-fitter attaches to a 1-1/4" to 2-3/8" tenon and allows hands-free wiring and maintenance.

Optional Wall Mount:

- Optional, cast aluminum mounting plate attaches to a wall over a junction box and the speed mount is bolted to the cover plate. To complete the wiring, the luminaire assembly slides over the mounting plate.

Fusing:

SF for 120, 277, and 347 Line volts

DF for 208, 240, and 480 Line volts

High temperature fuse holders factory installed inside the fixture housing.

Fuse is included.

Finish:

Fade and abrasion resistant, electrostatically applied, thermally cured, triglycidal isocyanurate (TGIC) polyester powdercoat.

Standard colors include (BLS) Black Gloss Smooth, (BLT) Black Matte Textured, (DBS) Dark Bronze Smooth, (GTT) Graphite Matte Textured, (LGS) Light Gray Smooth, (PSS) Platinum Silver Smooth, (VGS) Verde Green Smooth, (WHS) White Gloss Smooth, and (CC) Custom Color (Include RAL#).

Certifications and Listings:

- UL 1598 Standard for Luminaires.
- UL 8750 Standard for Safety for Light
- Emitting Diode (LED) Equipment for use in Lighting Products.
- CSA C22.2#250.0 Luminaires.
- ANSI C136.31-2010 Vibration tested and compliant 1.5G and 4G reference page 9
- RoHS compliant.
- IP66 rated.
- IEC 66262 Mechanical Impact Code IK09.
- IDA approved, 3000K and warmer CCTs only.

CAUTION:

Fixtures must be grounded in accordance with national, state and/or local electrical codes. Failure to do so may result in serious personal injury.

WARRANTY:

For full warranty see: <http://www.hubbellighting.com/resources/warranty>

Kim Lighting reserves the right to change specifications without notice.

CONTROLS

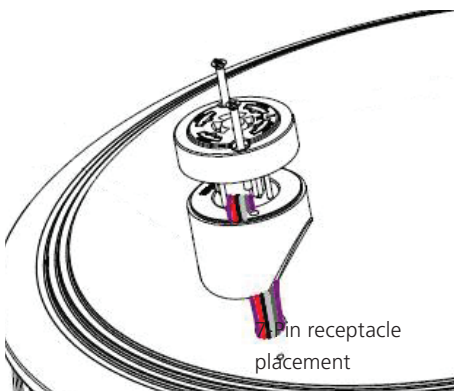
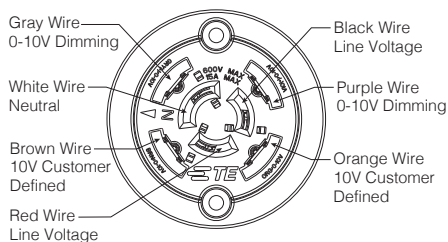
Photocell Receptacle

7PR

Fully gasketed and wired 7-pin receptacle option. Easy access location above the electrical compartment. 7-pin construction allows for a user-defined interface and provides a controlled definition of operational performance. ANSI twist-lock control module by-others.

Standard customer operation modes:

1. Traditional on/off photoelectric control.
2. 5-pin wireless photoelectric control for added dimming feature.
3. 7-pin wireless photoelectric control for dimming and additional I/O connections for customer use.



Wireless Controls

wiSCAPE™

Hubbell Control Solution's wiSCAPE™ wireless control modules allow an individual fixture to be managed, monitored and measured. The modules communicate securely over a robust certified meshed radio signal. The wiSCAPE modules provide on/off/dim control, external device input, alerts and metering.

WIR-RME-L

wiSCAPE External Module, 120-480V, 1000ft range (LOS), Internal Photocell, 1 Digital Input, Compatible with the A-25-7H option

SiteSync™¹

SiteSync™ wireless control system for reduction in energy and maintenance cost while optimizing light quality 24/7. See ordering information or visit www.hubbellighting.com/products/sitesync for more details.

Dimming WASP Occupancy Sensor WSP

The Dimming WASP Outdoor Occupancy Sensor is specifically designed to provide 0-10VDC output for the control of dimmable fixtures. Easy to use dipswitches allow the user to adjust sensor time delay and sensitivity as well as set unoccupied and occupied dimming levels. Sensors also feature a daylight sensor for ON/OFF control of fixtures when there is sufficient natural light. Visit https://hubbellcdn.com/installationmanuals/2102B_Dimming_WASP_Install.pdf for more details.

Pole Mounted

Round Pole-Mounted Occupancy Sensor up to 16'. Select voltage and finish color.

SCL-R

Round Pole-Mounted Occupancy Sensor up to 16' - an outdoor occupancy sensor with 0-10V interface dimming control that mounts directly to the pole. Wide 360° pattern. Module colors are available in Black, Gray, and White. Module is cut for round pole mounting. Pole diameter is needed upon order. Poles to be drilled in the field will be provided with installation instructions.

Ordering Example: SCL-R44/277²/BL³

Square Pole-Mounted Occupancy Sensor up to 16'. Select voltage and finish color.

SCL-S

Square Pole-Mounted Occupancy Sensor up to 16' - an outdoor occupancy sensor with 0-10V interface dimming control that mounts directly to the pole. Wide 360° pattern. Module colors are available in Black, Gray, and White. Module is cut for square pole mounting. Pole diameter is needed upon order. Poles to be drilled in the field will be provided with installation instructions.

Ordering Example: SCL-L/277²/BL³

Round Pole-Mounted Occupancy Sensor 16' to 30'. Select voltage and finish color.

SCH-R

Round Pole-Mounted Occupancy Sensor: 16' to 30' - an outdoor occupancy sensor with 0-10V interface dimming control that mounts directly to the pole. Wide 360° pattern. Module colors are available in Black, Gray, and White. Module is cut for round pole mounting. Pole diameter is needed upon order. Poles to be drilled in the field will be provided with installation instructions.

Ordering Example: SCH-R4⁴/277²/BL³

Square Pole-Mounted Occupancy Sensor 16' to 30'. Select voltage and finish color.

SCH-S

Square Pole-Mounted Occupancy Sensor: 16 to 30' - an outdoor occupancy sensor with 0-10V interface dimming control that mounts directly to the pole. Wide 360° pattern. Module colors are available in Black, Gray, and White. Module is cut for round pole mounting. Pole diameter is needed upon order. Poles to be drilled in the field will be provided with installation instructions.

Ordering Example: SCH-S/277²/BL³

AstroDIM

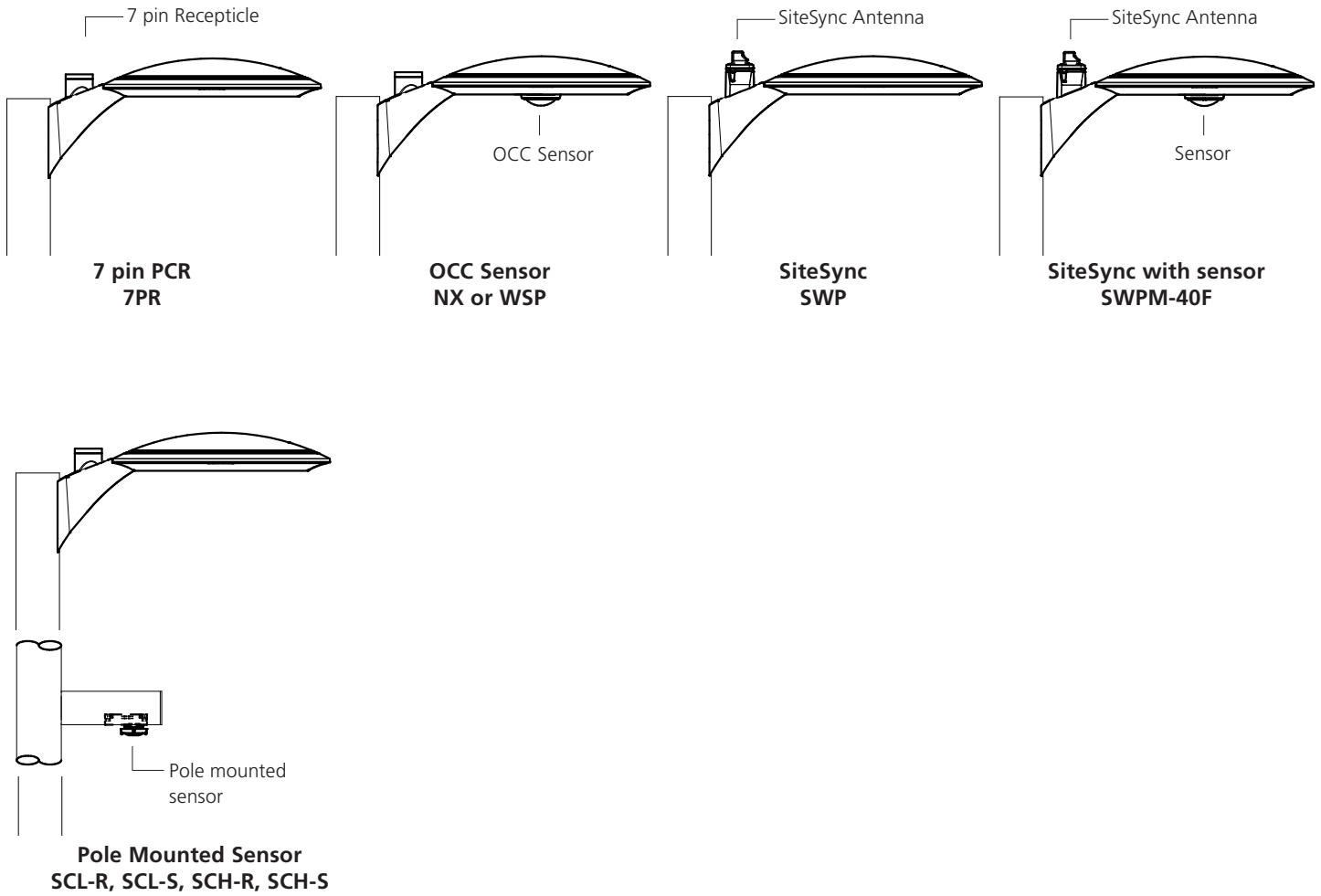
AstroDIM provides multi-stage night-time power reduction based on an internal timer referenced to the power on/off time. There is no need for an external control infrastructure. The unit automatically performs a dimming profile based on the predefined scheduled reference to the midpoint, which is calculated based on the power on/off times.

¹PRECOMMISSIONED SITESYNC ORDERING INFORMATION: When ordering a fixture with the SiteSync lighting control option, additional information will be required to complete the order. The SiteSync Commissioning Form or alternate schedule information must be completed. This form includes Project location, Group information, and Operating schedules. For more detailed information please visit www.HubbellLighting.com/products/sitesync or contact Hubbell Lighting tech support at (800) 345-4928.

SiteSync fixtures with occupancy sensor (SWPM) require the mounting height of the fixture for selection of the lens.

²Voltage, ³Color, ⁴Pole Diameter,

SENSOR PLACEMENT



MOUNTING VIBRATION RATINGS

UR 20 Arm		UR28 Arm		UR 20 Post Top		UR 28 Post Top	
Ordering Code	Rating	Ordering Code	Rating	Ordering Code	Rating	Ordering Code	Rating
ASQ	4G	ASQ	4G	FM33	4G	FM44	1.5G
A34	4G	A34	4G	FM44	1.5G	FM45	1.5G
A46	4G	A46	4G	PT23	4G	PT24	1.5G
MAF	4G	MAF	4G	PT24	4G	PT34	1.5G
				PT34	1.5G	PT25	1.5G
						PT35	1.5G

For the 4 G test, ANSI C136.31-2010 Vibration is tested to comply with Vibration Test Level 1 Normal Applications, Vibration Test Level 2 Bridge/Overpass Applications, and Vibration Test Level 3

For the 1.5G test, ANSI C136.31-2010 Vibration is tested to comply with Vibration Level 1 Bridge/Overpass Applications

Kim Lighting reserves the right to change specifications without notice.