

FIXTURE TYPE _____

PROJECT NAME _____

LOCATION _____



CH-223-M

EXTRUDED ALUMINUM MOUNTING CHANNEL

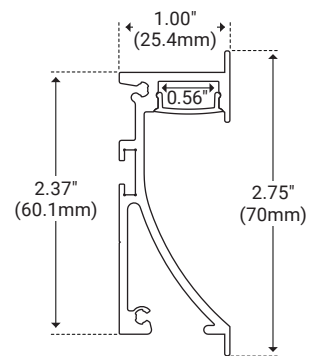


I Features

- Available In 78.74" (2m) Sections
- Extruded Aluminum Construction
- Anodized Matte Finish
- Consult Factory for Custom Lengths

I Dimensions

Length	78.74" (2m)
Width (External)	1.00" (25.4mm)
Width (Internal)	0.56" (13.9mm)
Height	2.75" (70.0mm)



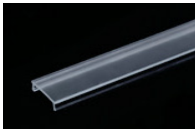
I Ordering Code Builder

Series	Length	Lens	Mounting	End Caps
CH223M	2		SG	EC
CH223M – CH-223-M	2 – 2 Meters	CL – Clear Lens FR – Frosted Lens WH – White Lens	SG – Spring Clip	EC – End Cap Pair

Example: CH223M-2-CL-SG-EC



I Lens



Clear Lens

Unit Number CH-LNS-AH-CL-2M

Ordering Code CL



Frosted Lens

Unit Number CH-LNS-AH-FR-2M

Ordering Code FR



White Lens

Unit Number CH-LNS-AH-WH-2M

Ordering Code WH

I Mounting



Spring Clip

Unit Number CH-SG-223-M

Ordering Code SG

I End Cap



End Cap Pair

Unit Number CH-EC-223-M

Ordering Code EC