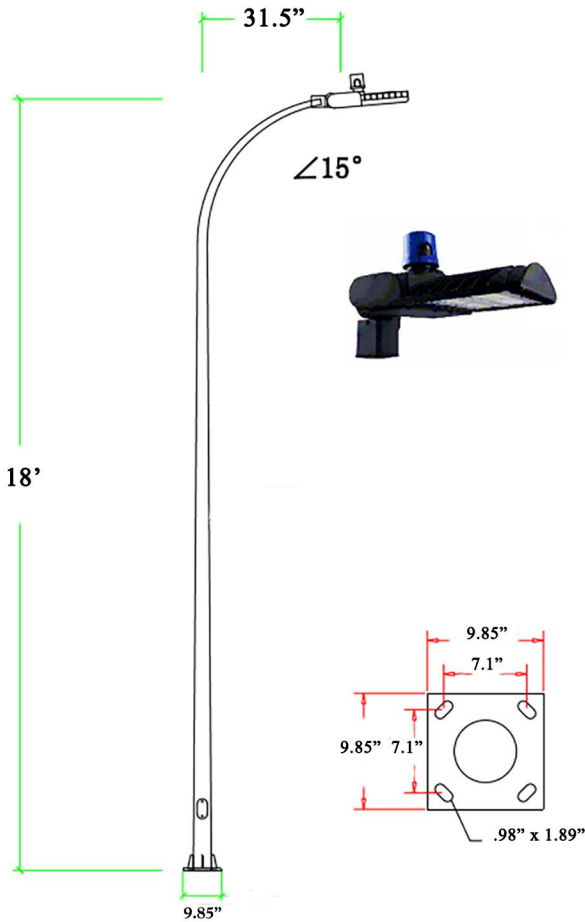


LED Street / Landscape Light



UL DLC certified - IP 65/66
ADC12 Aluminum Alloy Body
Wattage: 300, 200, 150, 100
Lumens: 13500 to 39000
Color Temps: 3000K, 5000K
Color: White or Bronze
7 Year Warranty
Surge Protection
Input A1: 100-277 VAC
Input A2: 347-480 VAC
System Efficiency >90

Available Accessories
Photo Sensor
U-Bracket, PD Bracket, SF Bracket
18' Square/Round Pole (Black, Bronze, White)

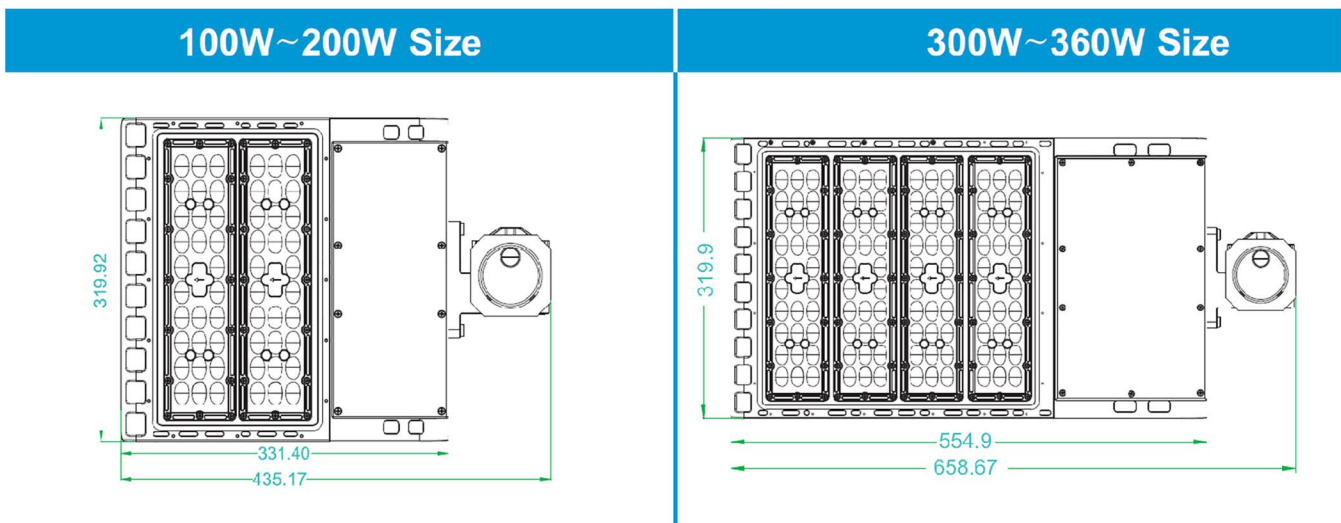
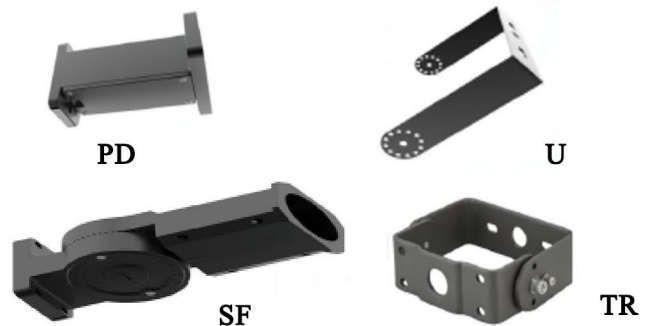


Item Codes

LPL-H100-A(30/50)-A1	100W Street/Landscape light, 3000K/5000K, Input 90-305 VAC
LPL-H150-A(30/50)-A1	150W Street/Landscape light, 3000K/5000K, Input 90-305 VAC
LPL-H200-A(30/50)-A1	200W Street/Landscape light, 3000K/5000K, Input 90-305 VAC
LPL-H300-A(30/50)-A1	300W Street/Landscape light, 3000K/5000K, Input 90-305 VAC
LPL-H100-A(30/50)-A2	100W, Street/Landscape lights, 3000K/5000K, Input 347-480 VAC
LPL-H150-A(30/50)-A2	150W, Street/Landscape lights, 3000K/5000K, Input 347-480 VAC
LPL-H200-A(30/50)-A2	200W, Street/Landscape lights, 3000K/5000K, Input 347-480 VAC
LPL-H300-A(30/50)-A2	300W, Street/Landscape lights, 3000K/5000K, Input 347-480 VAC

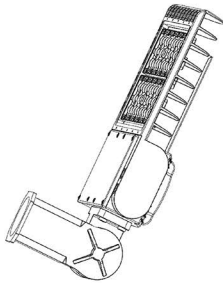
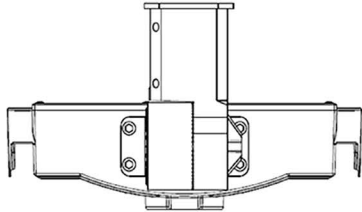
* Append -BZ for Bronze, -BK for Black, - W for White

LPL-BKT-SF	SF Bracket for knuckle mounting
LPL-BKT-PD	PD bracket for universal arm mounting
LPL-BKT-TR	TR bracket for double U mounting
LPL-BKT-U	U-bracket for Trunnion mounting
LPL-PS-JL207F	Twist lock photo sensor
LPL-PS-JL200Z	Photo control with surge arrester

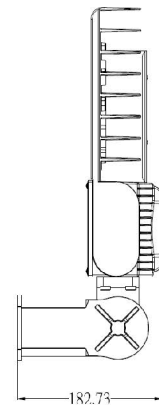
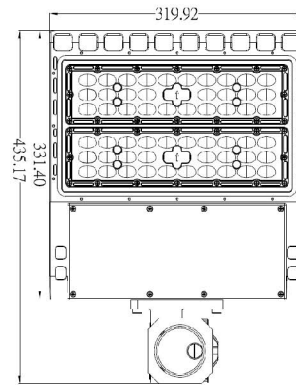
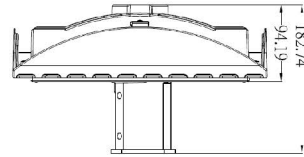
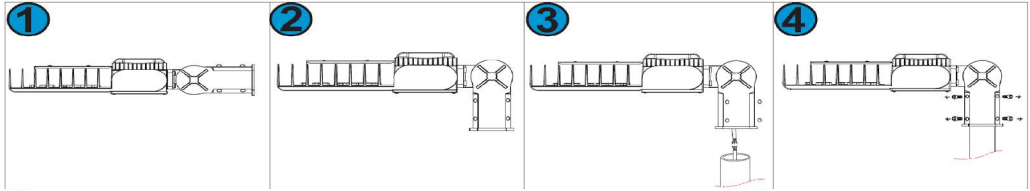


LED Street / Landscape Light

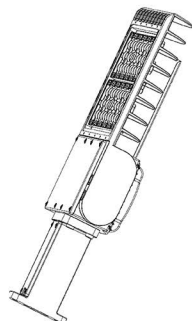
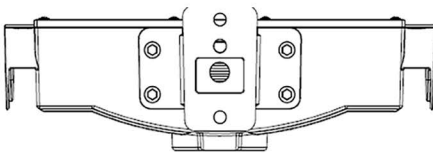
SF Bracket



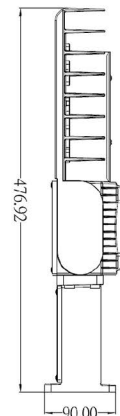
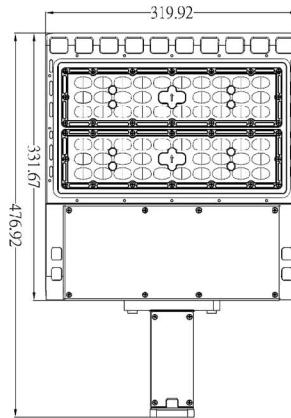
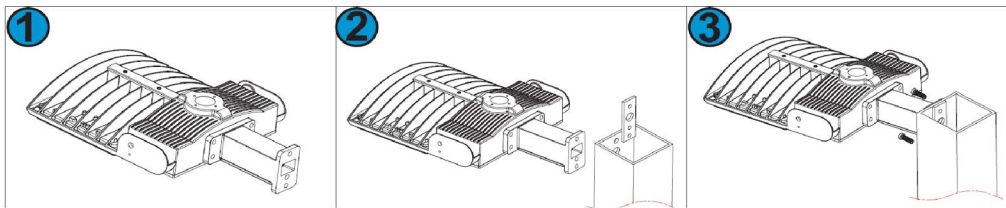
Knuckle Mounting



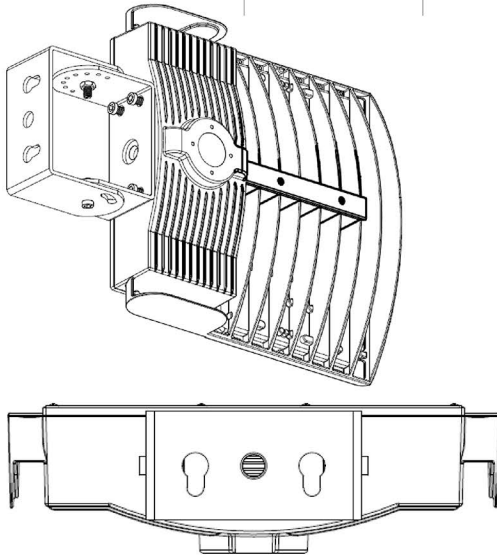
PD Bracket



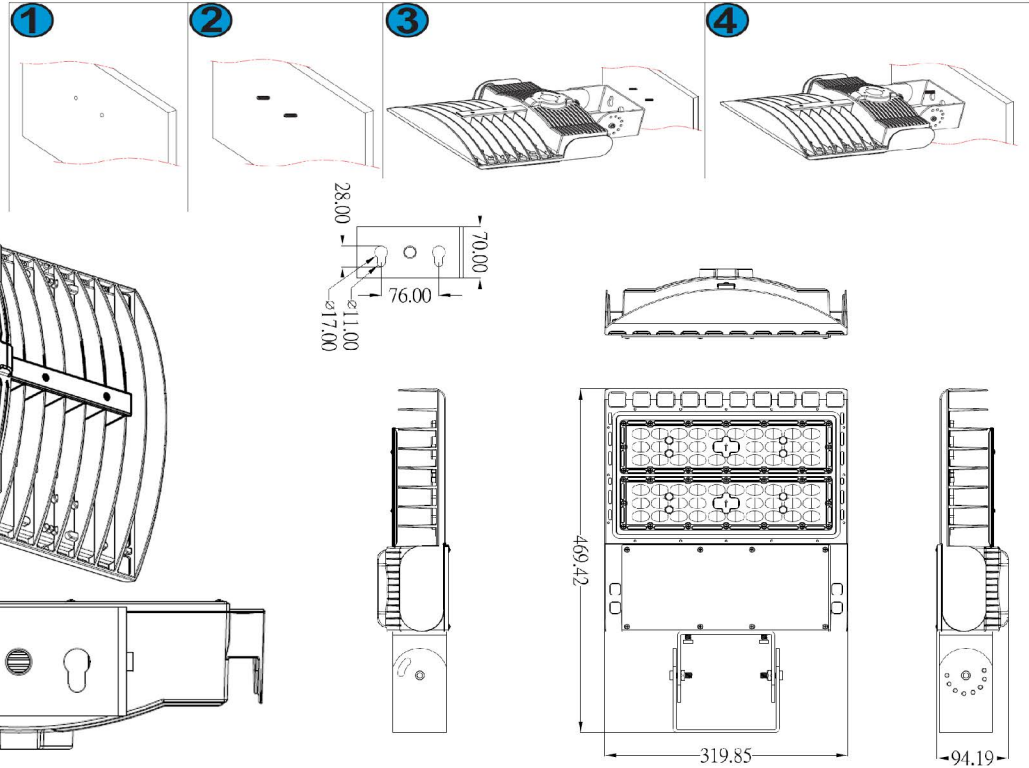
Universal Arm Mounting



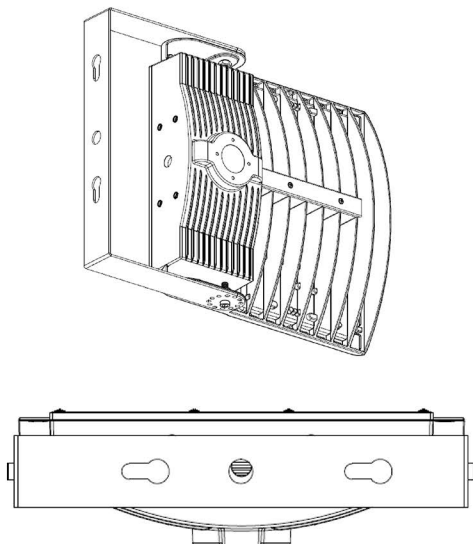
TR Bracket



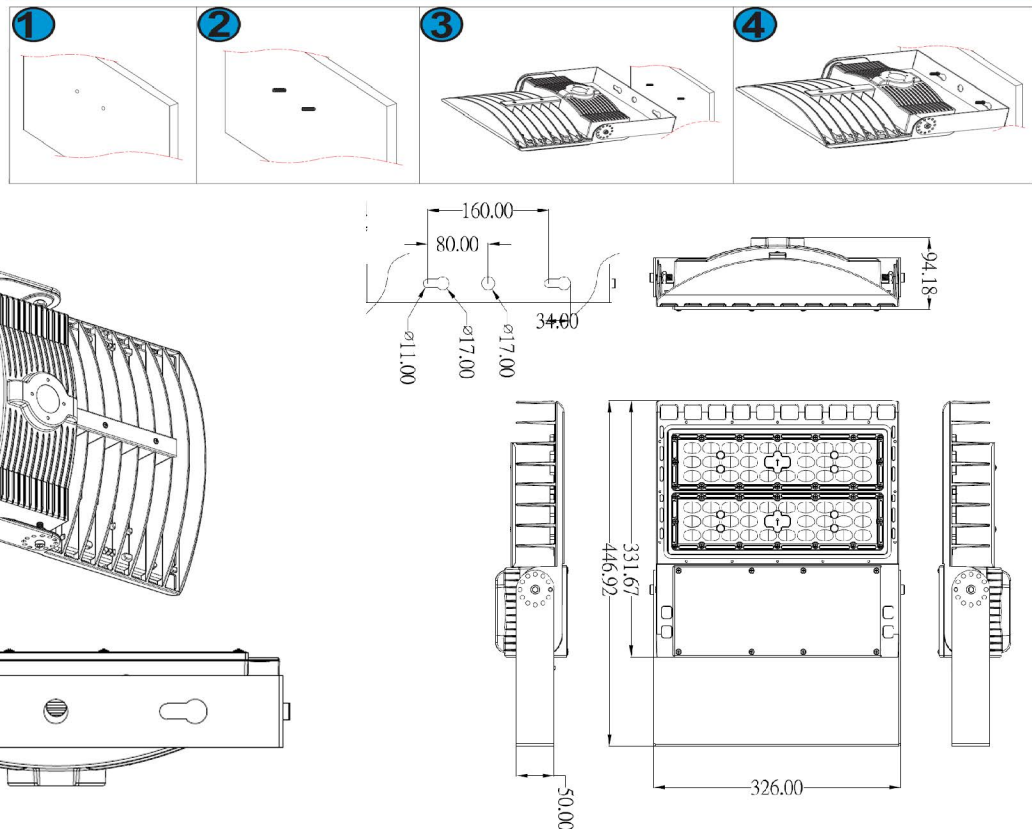
Double U type Mounting



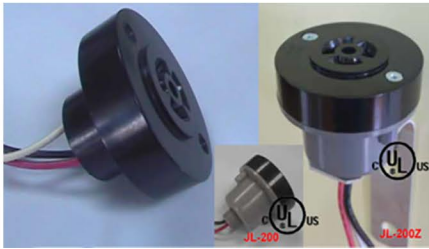
U Bracket



Trunnion Mounting



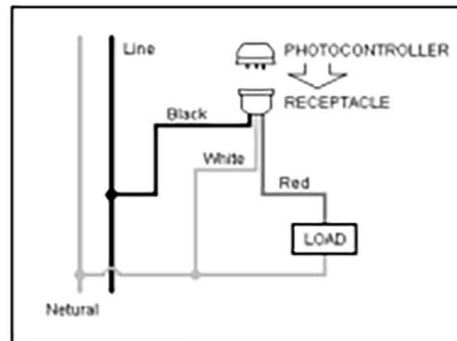
LPL-PS-JL200(Z/X) - Twist Lock



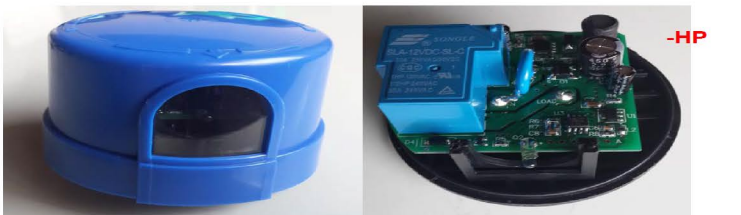
- UL listed
- Apply voltage: 0-480 VAC
- Temperature: -40 ~ +70° C
- Capacity: 10 Amp / 15 Amp
- Humidity: 99% RH
- Protective cover
- Dimension: 65mm x 65mm

Installation

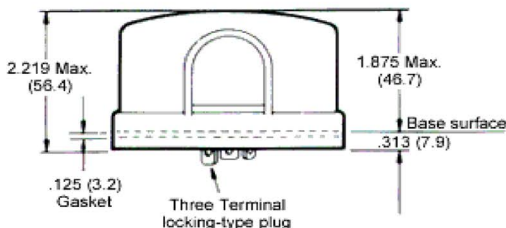
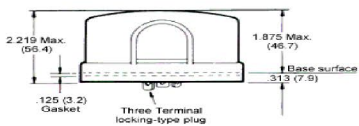
Disconnect the power, wire the receptacle according to the diagram. Push the photocontroller on and twist clockwise to lock it into the receptacle. Install the photocontroller with the photocell facing the NORTH direction as indicated on the top of the photocontroller. Adjust the receptacle position if necessary.



LPL-PS-JL207F - Photo Control and Surge Arrester



- ANSI C136.10-2010 Twist Lock
- Multi-Volts Application
- Fully Customization Available
- Surge Arrester Built-In
- IR filtered Photodiode Sensor
- Midnight Sleeping Available
- Fail-On / Fail-Off Modes Available
- Metal Armor Applicable



This product is designed with microprocessor circuits and either CdS photocell, photodiode or IR-filtered phototransistor sensors. Surge arrester (MOV) is included. Turn-on time delay 0-10 seconds offers easy to test feature.

A preset 5-20 seconds time-delay for turning light off may avoid mis-operation due to spotlight or lightning at night. The HP version provides constant reliability as the relay has a work life of over 50,000 cycles.

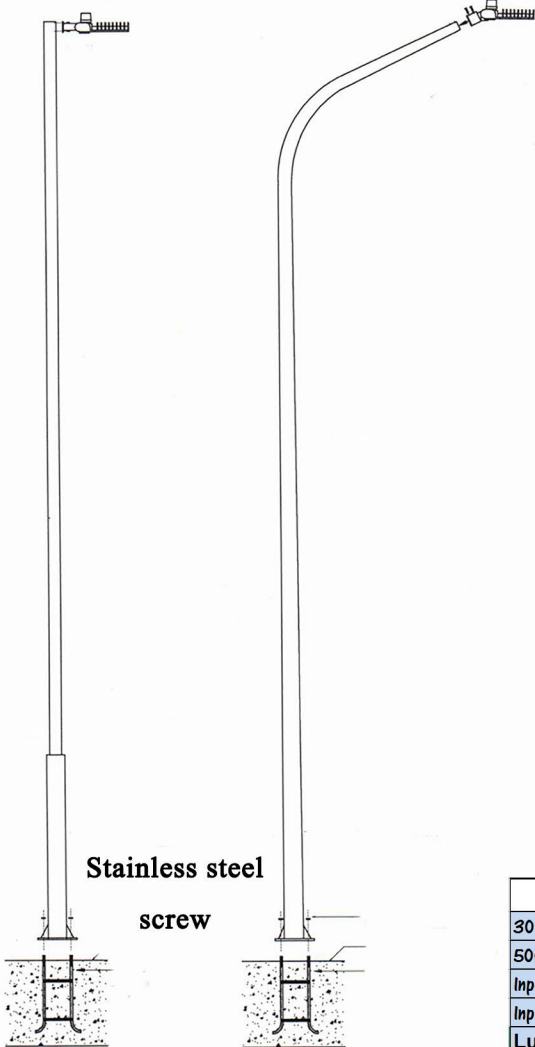
Meets the requirement of ANSI C136.10-2010 and standard for plug-in. Locking type photocontrol for use with area lighting UL773. Listed for US and Canada.

Technical Data

Model	JL-207C	JL-207E	JL-207F
Rated Voltage	120-277VAC	347VAC	480VAC
Applicable Voltage Range	105-305VAC	105-380VAC	105-530VAC
Rated Frequency		50/60Hz	
Rated Loading	1000W Tungsten, 1800VA Ballast		
Power Consumption	0.5W [STD] / 0.9W [HP]		
Typical On/Off Level	16Lx On / 24Lx Off		
Ambient Temp.	-40° C ~ +70° C		
Related Humidity	99% / 100% [IP67]		
Overall Size	84 (Dia.) x 66mm		
Weight Approx.	110g [STD] / 125g [HP]		

LED Street / Landscape Light

Lamp fastened by screw

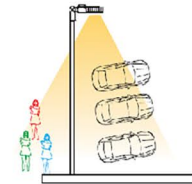
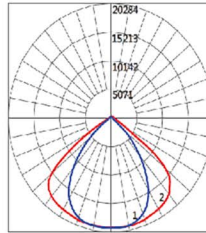


Stainless steel
screw

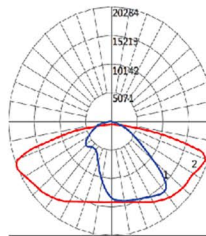
Cement filled
underground support

Photometric 150 Watt

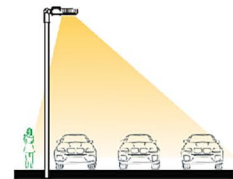
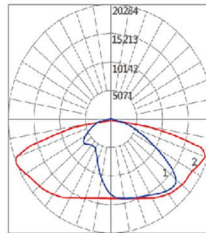
90 120
Asymmetrical Width
19,500 Lumens
5000K



TYPE II
Asymmetrical Wide
19,500 Lumens
5000K



TYPE III
Asymmetrical Ultra Wide
19,500 Lumens
5000K



	100 Watts	150 Watts	200 Watts	300 Watts
3000K	LPL-H100-A30-A1	LPL-H150-A30-A1	LPL-H200-A30-A1	LPL-H300-A30-A1
5000K	LPL-H100-A50-A1	LPL-H150-A50-A1	LPL-H200-A50-A1	LPL-H300-A50-A1
Input A1	100-277 VA 50/60 Hz	100-277 VA 50/60 Hz	100-277 VA 50/60 Hz	100-277 VA 50/60 Hz
Input A2	347-480 VA 50/60 Hz	347-480 VA 50/60 Hz	347-480 VA 50/60 Hz	347-480 VA 50/60 Hz
Lumen	13500	19500	26000	39000
Beam Angle	TYPE III/90x120	TYPE III/90x120	TYPE III/90x120	TYPE III/90x120
Temp Opera	-30 ~ +50 °C	-30 ~ +50 °C	-30 ~ +50 °C	-30 ~ +50 °C
Power Effi	> 90%	> 90%	> 90%	> 90%
CRI	> 80	> 80	> 80	> 80
Dimension	L17.1" W12.6" H3.7"	L17.1" W12.6" H3.7"	L17.1" W12.6" H3.7"	L25.9" W12.6" H3.7"
Humidity Op	15 - 90% RH	15 - 90% RH	15 - 90% RH	15 - 90% RH

Item Codes

LPL-6RP-LS-(B/BN/W)

18' (6m) round pole, L-series, steel, black/brown/white

LPL-6SP-LS-(B/BN/W)

18' (6m) square pole, L-series, steel, black/brown/white

LPL-UGS-L

Foldable underground pole support, L-series