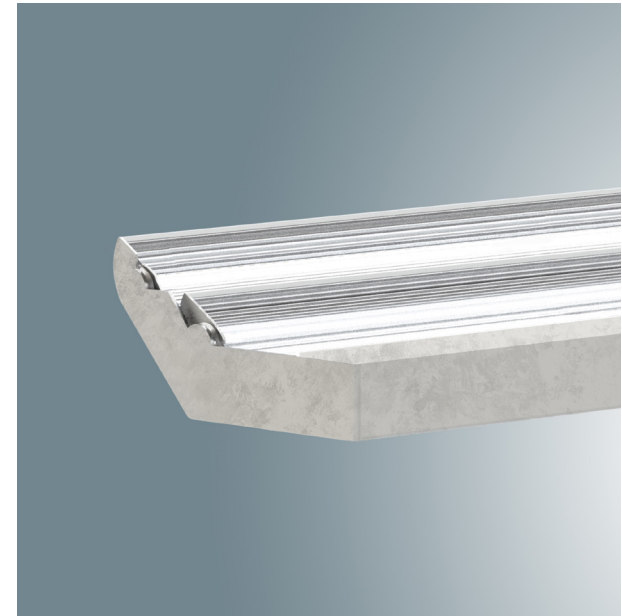
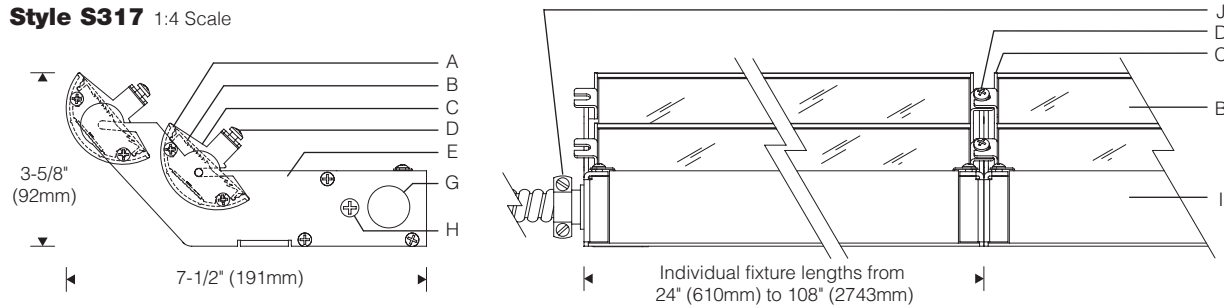
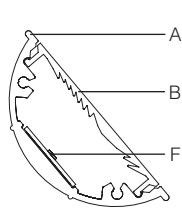


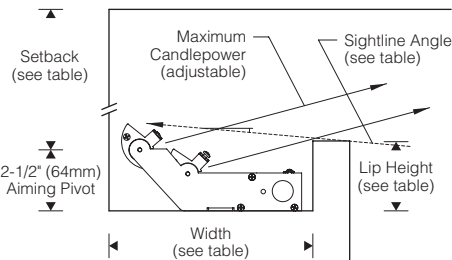
Style S317 1:4 Scale



Optical Assembly 1:2 Scale



Cove 1:8 Scale



Cove Dimensions

(maximum candlepower aimed 15° above horizontal)

Sightline	0° (horiz. cutoff)	5°	10°
Width (inside)	11" (279mm)	8-1/4" (210mm)	8-1/4" (210mm)
Lip (inside)	3-5/8" (92mm)	2-7/8" (73mm)	2-5/8" (67mm)
Setback	Recommended minimum: 24" (610mm)		

Note: Finish interior of cove matte white for best results.

Specifications

- A** Serviceable extruded aluminum heat sink/housings
- B** Extruded acrylic beam shaping lens
- C** Stainless steel end plates with interlocking tabs
- D** Rotation locking tab with locking set screw
- E** Aluminum side arm with adjustable mounting tab (fasteners by others)
- F** Constant current LED board
- G** Conduit entry (one each end, conduit and connections by others)
- H** Driver/housing joiner screw (one per fixture)
- I** Extruded aluminum driver housing and drivers
- J** Supply conduit and connectors by others

Housing and Optic Assembly:

Extruded aluminum heat sink/optic housing. Exterior heat sink anodized for maximum emissivity. Stainless steel end plates. Extruded acrylic refractive semi-diffuse asymmetric beam shaping lens. Extruded aluminum driver housing and removable cover.

Finish:

Optic assembly – bright anodized aluminum. Side arms and driver compartment – mill finish aluminum or painted semigloss white for natatorium option. Painted surfaces receive a 6-stage pretreatment process prior to electrostatically applied baked powder enamel. All hardware – stainless steel.

Mounting:

Lay-in installation, side arms with mounting tabs can be base or wall mounted (fasteners by others). Luminaires can be mounted individually or joined together to form a continuous row. Optical assembly aiming is adjustable and is fixed in position by rotation locking screws at each side arm. When

mounted in a continuous row, assemblies lock together allowing all in the row to be aimed together.

Fixture weight: 2.6 lb/ft (3.9 kg/m).

Electrical:

Use 90°C wire for supply connections. Integral electronic Class II drivers. For complete driver specifications, see website, reference document [MA-1303](#). Driver/wireway compartment includes one conduit entry at each end. Channel cover is removable for access to driver and wiring. Luminaires may be butted end-to-end (connectors by others) for through wiring. Optional #12 AWG prewired modular through wiring with quick connectors. Optional , compatible dimming controls (by others). See website for dimming compatibility and specifications.

Standard:

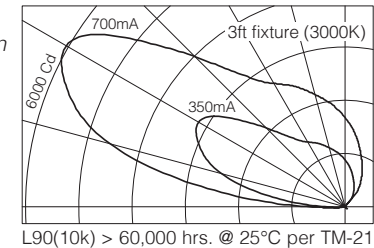
UL listed or CSA certified for damp locations. For natatorium use, specify **OP** or **PK** option. 5 year warranty, maximum ambient temperature 45°C (113°F).

Features

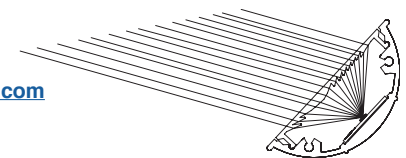
- Proprietary refractive lens technology
- Asymmetric distribution – uniform surface illumination
- Wide lateral distribution – no socket shadows
- Fully adjustable and lockable optic assemblies
- Integral driver with optional pre-wired harness

Performance

Precisely extruded acrylic lens produces an asymmetric distribution ideal for illuminating ceilings evenly.



For LM79 and photometric reports, visit thelightingquotient.com



To form a Catalog Number

S | 3 | 1 | 7 | - R | | | | - S | | | | - | | | | - | | | | - | | | |

1 | 2 | 3 | 4 | 5 | 6 | 7 | 8 | 9 | 10

Project: _____

Type: _____

1 Source

S = Solid state (LED)

2 Style

317 = Small linear concealed dual head LED, integral driver

3 Length / Light Output / Power

ORDER CODE	LENGTH	LUMENS	INPUT WATTS	NUMBER OF LEDS	DRIVE CURRENT
R02G	2FT	1964	14	144	175mA
R02L	2FT	3849	27	144	350mA
R02M	2FT	7461	54	144	700mA
R03G	3FT	2946	20	216	175mA
R03L	3FT	5774	41	216	350mA
R03M	3FT	11192	82	216	700mA
R04G	4FT	3927	27	288	175mA
R04L	4FT	7698	54	288	350mA
R04M	4FT	14923	109	288	700mA
R05G	5FT	4909	34	360	175mA
R05L	5FT	9623	68	360	350mA
R05M	5FT	18653	136	360	700mA
R06G	6FT	5891	41	432	175mA
R06L	6FT	11548	82	432	350mA
R06M	6FT	22384	163	432	700mA
R07G	7FT	6873	48	504	175mA
R07L	7FT	13472	95	504	350mA
R07M	7FT	26115	190	504	700mA
R08G	8FT	7855	54	576	175mA
R08L	8FT	15397	109	576	350mA
R08M	8FT	29845	217	576	700mA
R09G	9FT	8837	61	648	175mA
R09L	9FT	17321	122	648	350mA
R09M	9FT	33576	245	648	700mA

Based on 3500K/80+CRI. [Click here](#) for scaled performance table.

Note: Other drive currents are available, consult factory.

4 Mounting

S = Sidearms with mounting tabs

5 Finish

- 00 = Anodized optical housing/heat sink; mill finish brackets and remote driver enclosure; stainless steel luminaire hardware (natatorium use option is painted)
- 02 = For damp / natatorium use. Driver enclosure and mounting brackets finished semi-gloss white, optical housing/heat sink are bright anodized

6 Voltage

- M = 120-277V Universal voltage input
- K = 347V input

7 Option (See Accessories Section for specifications)

- 00 = No options
- 0K = Modular through-wire harness with quick connectors
- 0P = [Natatorium](#) use; side arms, driver box pretreated and painted semigloss white
- PK = Natatorium use with through-wire harness

8 Destination Requirement

- 0 = UL listed or CSA certified for U.S.
- J = UL listed or CSA certified for Canada

9 Color Temperature / CRI

- 827 = 2700K, 80+ CRI
- 830 = 3000K, 80+ CRI
- 835 = 3500K, 80+ CRI
- 840 = 4000K, 80+ CRI
- 927 = 2700K, 90+ CRI
- 930 = 3000K, 90+ CRI
- 935 = 3500K, 90+ CRI
- 940 = 4000K, 90+ CRI

Note: Additional CCT and CRI options are available; consult factory.

Tunable White or RGBW - Consult factory.



10 Dimming**

- 00 = Non-dimming
- TD = ERP forward phase or reverse phase (120V only), dimming range 100-10% power, compatible controls by others
- ZX = 0-10V analog dimming 120-277V or 347V input, dimming range 100%-1%, 0-10V controls by others
- L2 = Lutron Hi-lume LTE 120V input only, dimming range 100%-1%, compatible 2-wire dimming controls by others (see note*)
- EL = eldoLED SOLOdrive 120-277V input, 0-10V analog dimming 100%-0.1% power (controls by others)
Note: EL is not suitable for MRI use (0M option).
- ED = eldoLED SOLOdrive 120-277V input, dimming range 100%-0.1%, DALI controls by others
Note: ED is not suitable for MRI use (0M option).

**Dimming range refers to % power input, % light output will vary.

Refer to Driver Information document [MA-1303](#)

elliptipar from The Lighting Quotient
114 Boston Post Road, West Haven, Connecticut 06516, USA
Voice 203.931.4455 • Fax 203.931.4464 • [thelightingquotient.com](#)

Certain products illustrated may be covered by applicable patents and patents pending. These specifications supersede all prior publications and are subject to change without notice. Copyright © 2021 Sylvan R. Shemitz Designs, LLC, all rights reserved.

