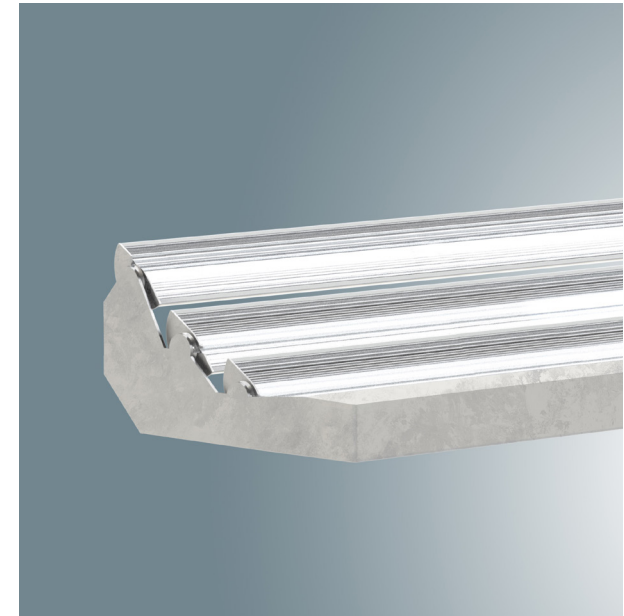
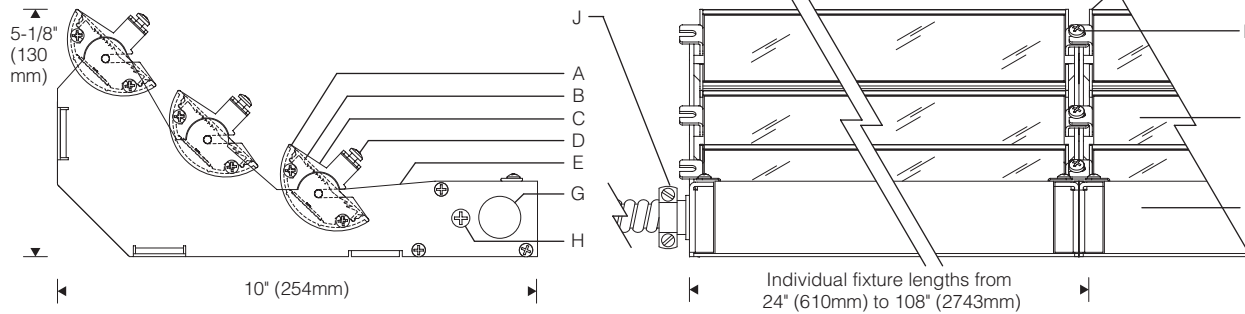
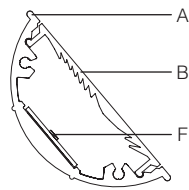


**Style S318** 1:4 Scale

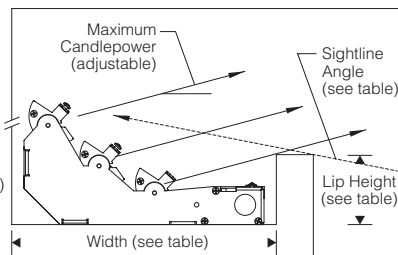


**Optical Assembly**

1:2 Scale



**Cove** 1:8 Scale



**Cove Dimensions**

(maximum candlepower aimed 15° above horizontal)

Sightline	0° (horiz. cutoff)	5°	10°
Width (inside)	19" (483mm)	14-1/4" (362mm)	11-1/4" (286mm)
Lip (inside)	5-1/8" (130mm)	3-7/8" (98mm)	3" (76mm)
Setback	Recommended minimum: 30" (762mm)		

**Note:** Finish interior of cove matte white for best results.

**Specifications**

- A** Serviceable extruded aluminum heat sink/housings
- B** Extruded acrylic beam shaping lens
- C** Stainless steel end plates with interlocking tabs
- D** Rotation locking tab with locking set screw
- E** Aluminum side arm with adjustable mounting tab (fasteners by others)
- F** Constant current LED board
- G** Conduit entry (one each end, conduit and connections by others)
- H** Driver/housing joiner screw (one per fixture)
- I** Extruded aluminum driver housing and drivers
- J** Supply conduit and connectors by others

**Housing and Optic Assembly:**

Extruded aluminum heat sink/optic housing. Exterior heat sink anodized for maximum emissivity. Stainless steel end plates. Extruded acrylic refractive semi-diffuse asymmetric beam shaping lens. Extruded aluminum driver housing and removable cover.

**Finish:**

Optic assembly – bright anodized aluminum. Side arms and driver compartment – mill finish aluminum or painted semigloss white for natatorium option. Painted surfaces receive a 6-stage pretreatment process prior to electrostatically applied baked powder enamel. All hardware – stainless steel.

**Mounting:**

Lay-in installation, side arms with mounting tabs can be base or wall mounted (fasteners by others). Luminaires can be mounted individually or joined together to form a continuous row. Optical assembly aiming is adjustable and is fixed in position by rotation locking screws at each side arm. When

mounted in a continuous row, assemblies lock together allowing all in the row to be aimed together.

Fixture weight: 3.5 lb/ft (5.2 kg/m).

**Electrical:**

Use 90°C wire for supply connections. Integral electronic Class II drivers. For complete driver specifications, see website, reference document [MA-1303](#). Driver/wireway compartment includes one conduit entry at each end. Channel cover is removable for access to driver and wiring. Luminaires may be butted end-to-end (connectors by others) for through wiring. Optional #12 AWG prewired modular through wiring with quick connectors. Optional , compatible dimming controls (by others). See website for dimming compatibility and specifications.

**Standard:**

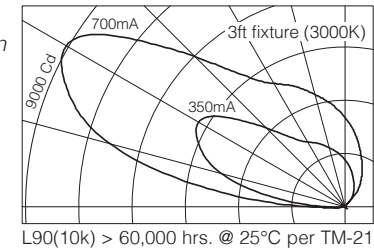
UL listed or CSA certified for damp locations. For natatorium use, specify **OP** or **PK** option. 5 year warranty, maximum ambient temperature 45°C (113°F).

**Features**

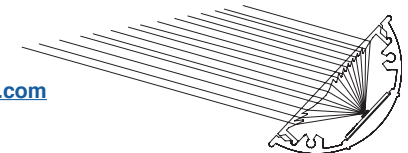
- Proprietary refractive lens technology
- Asymmetric distribution – uniform surface illumination
- Wide lateral distribution – no socket shadows
- Fully adjustable and lockable optic assemblies
- Integral driver with optional pre-wired harness

**Performance**

Precisely extruded acrylic lens produces an asymmetric distribution ideal for illuminating ceilings evenly.



For LM79 and photometric reports, visit [thelightingquotient.com](http://thelightingquotient.com)



To form a Catalog Number

S | 3 | 1 | 8 | - R | | | | - S | | | | - | | | | - | | | | - | | | | - | | | |

1 | 2 | 3 | 4 | 5 | 6 | 7 | 8 | 9 | 10

Project: \_\_\_\_\_

Type: \_\_\_\_\_

**1 Source**

S = Solid state (LED)

**2 Style**

318 = Small linear concealed triple head LED, integral driver

**3 Length / Light Output / Power**

ORDER CODE	LENGTH	LUMENS	INPUT WATTS	NUMBER OF LEDS	DRIVE CURRENT
R02G	2FT	2946	20	216	175mA
R02L	2FT	5774	41	216	350mA
R02M	2FT	11192	82	216	700mA
R03G	3FT	4418	31	324	175mA
R03L	3FT	8661	61	324	350mA
R03M	3FT	16788	122	324	700mA
R04G	4FT	5891	41	432	175mA
R04L	4FT	11548	82	432	350mA
R04M	4FT	22384	163	432	700mA
R05G	5FT	7364	51	540	175mA
R05L	5FT	14435	102	540	350mA
R05M	5FT	27980	204	540	700mA
R06G	6FT	8837	61	648	175mA
R06L	6FT	17321	122	648	350mA
R06M	6FT	33576	245	648	700mA
R07G	7FT	10309	71	756	175mA
R07L	7FT	20208	143	756	350mA
R07M	7FT	39172	285	756	700mA
R08G	8FT	11782	82	864	175mA
R08L	8FT	23095	163	864	350mA
R08M	8FT	44768	326	864	700mA
R09G	9FT	13255	92	972	175mA
R09L	9FT	25982	183	972	350mA
R09M	9FT	50364	367	972	700mA

Based on 3500K/80+CRI. [Click here](#) for scaled performance table.

Note: Other drive currents are available, consult factory.

**4 Mounting**

S = Sidearms with mounting tabs

**5 Finish**

- 00 = Anodized optical housing/heat sink; mill finish brackets and remote driver enclosure; stainless steel luminaire hardware (natatorium use option is painted)
- 02 = For damp / natatorium use. Driver enclosure and mounting brackets finished semi-gloss white, optical housing/heat sink are bright anodized

**6 Voltage**

M = 120-277V Universal voltage input

K = 347V input

**7 Option** (See Accessories Section for specifications)

- 00 = No options
- 0K = Modular through-wire harness with quick connectors
- 0P = [Natatorium](#) use; side arms, driver box pretreated and painted semigloss white
- PK = Natatorium use with through-wire harness

**8 Destination Requirement**

- 0 = UL listed or CSA certified for U.S.
- J = UL listed or CSA certified for Canada

**9 Color Temperature / CRI**

- 827 = 2700K, 80+ CRI      927 = 2700K, 90+ CRI
- 830 = 3000K, 80+ CRI      930 = 3000K, 90+ CRI
- 835 = 3500K, 80+ CRI      935 = 3500K, 90+ CRI
- 840 = 4000K, 80+ CRI      940 = 4000K, 90+ CRI

Note: Additional CCT and CRI options are available; consult factory.

Tunable White or RGBW - Consult factory.



**10 Dimming\*\***

- 00 = Non-dimming
- TD = ERP forward phase or reverse phase (120V only), dimming range 100-10% power, compatible controls by others
- ZX = 0-10V analog dimming 120-277V or 347V input, dimming range 100%-1%, 0-10V controls by others
- EL = eldoLED SOLOdrive 120-277V input, 0-10V analog dimming 100%-0.1% power (controls by others)
- ED = eldoLED SOLOdrive 120-277V input, dimming range 100%-0.1%, DALI controls by others

\*\*Dimming range refers to % power input, % light output will vary.

Refer to Driver Information document [MA-1303](#)

