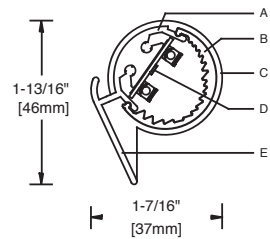
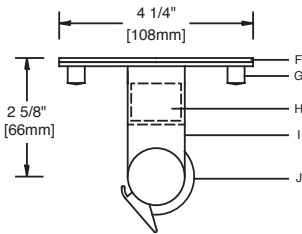


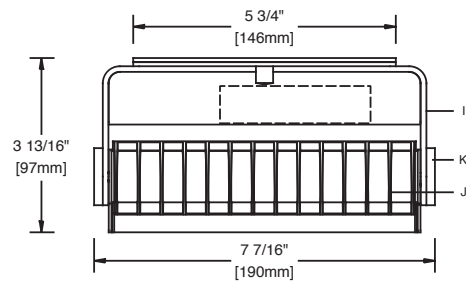
Optical Assembly 1:2 Scale



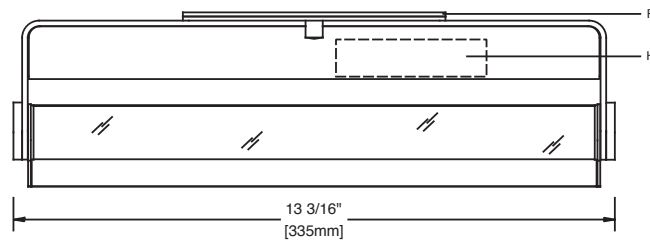
Ceiling Mounted 1:4 Scale



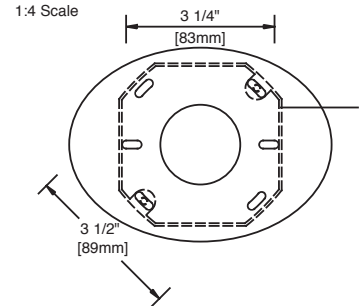
Front View (28-LED) w/ baffle 1:4 Scale



Front View (56-LED) 1:4 Scale



Mounting Plate 1:4 Scale



Specifications

- | | | | |
|--|--|----------------------------------|--|
| A Extruded aluminum heat sink housing | D Linear LED PCB with CSP LEDs | G Chrome cap nuts | K Aluminum knobs |
| B Extruded semi-diffuse lens | E Integral visor (extruded aluminum) | H Electronic LED Driver | M Recessed outlet box (by others) |
| C Aluminum end plate 1-1/8" dia. | F Oval aluminum mounting plate and canopy | I Formed aluminum yoke | |
| | | J Injection molded baffle | |

Optic Assembly:

Extruded aluminum heat sink/housing. Exterior heat sink anodized for maximum emissivity. Precision extruded polymer refractive lens with optimal diffusion.

Finish:

Extruded aluminum heat sink/housing, aluminum reveal plates and end plates finished white, black or custom color. Painted surfaces – 6 stage pretreatment and electrostatically applied thermoset polyester powder coating for a durable abrasion, fade and corrosion resistant finish. All hardware – stainless steel or nickel plated brass.

Mounting:

E-mount canopy mounts over recessed outlet box (by others). S-mount yoke mounts to surface with direct feed into yoke. X-mount for use with pendant or cantilever accessory (ordered separately). Track mounting available; specify K mount (consult factory) Formed aluminum yoke, mounting plate, canopy and knobs, aluminum mounting plate and canopy.

Fixture weight: 28 LED unit = 1.5 lbs (0.68 kg); 56 LED unit = 2.0 lbs (0.91 kg)

Electrical:

Integral electronic HPF thermally protected Class II driver mounted in aluminum splice compartment on yoke. For complete driver specifications, see website, reference document [MA-1303](#). Optional electronic dimming driver; compatible dimming controls (by others). See website for dimming compatibility and specifications.

Standard:

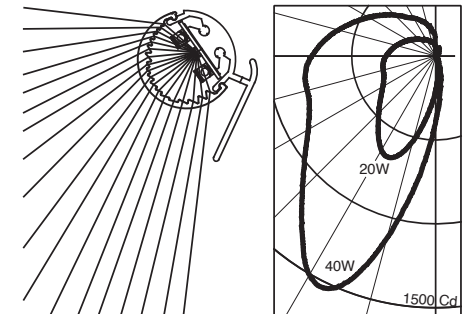
UL listed or CSA certified for dry locations. 5 year warranty, maximum ambient temperature 45°C (113°F).

Features

- Inconspicuous low profile - lights wall evenly without emphasizing surface imperfections
- Built in visor provides shielding of glare from below
- Adjustable and lockable aiming
- Small elegant hub hangers

Performance

Precisely extruded acrylic lens produces an asymmetric distribution ideal for illuminating vertical surfaced evenly from top to bottom.



L90(10k) > 60,000 hrs. @ 25°C per TM-21

For complete photometrics, visit thelightingquotient.com



To form a Catalog Number



Project: _____

Type: _____

1 Style

S106 = Xtra small fluted yoke mount LED with integral driver

2 Length / Light Output / Power

ORDER CODE	LENGTH	LUMENS	INPUT WATTS	NUMBER OF LEDS	DRIVE CURRENT
M028	8.5"	2101	16W	28	350mA
L056	14.5"	2172	16W	56	175mA
M056	14.5"	4202	32W	56	350mA

Based on 3500K/80+ CRI. [Click here](#) for scaled performance table.

3 Mounting

- E** = Yoke mounted with canopy
- S** = Yoke mounted onto surface with direct feed
- X** = Yoke mounted for use with pendant or cantilever (ordered separately).
- K** = Track mount for use with UL Listed track adapters only.

4 Finish

- 02** = Semigloss white
- 06** = Dark bronze*
- 07** = Silver*
- 08** = Semigloss black
- 13** = Matte Black
- 15** = Metallic
- 17** = Champagne*
- 18** = Copper*
- 22** = Matte White
- PL** = Platinum
- 99** = Custom or RAL, consult rep.*

02	22*	PL*	07*	15*
08	13*	06*	18*	17*

* = non-cancellable/returnable

5 Voltage

Electronic Driver

- M** = 120-277V
- K** = 347V input (remote only - [see Style S100](#))

6 Option

- 00** = No options
- 0B** = Cross baffle, provides 25° lateral shielding
- 0S** = Backsplash shield (adjustable)

7 Destination Requirement

- 0** = CSA certified for U.S.
- J** = CSA certified for Canada

8 Color Temperature / CRI

- 827** = 2700K, 80+ CRI
- 830** = 3000K, 80+ CRI
- 835** = 3500K, 80+ CRI
- 840** = 4000K, 80+ CRI
- 927** = 2700K, 90+ CRI
- 930** = 3000K, 90+ CRI
- 935** = 3500K, 90+ CRI
- 940** = 4000K, 90+ CRI

Note: Additional CCT and CRI options are available; consult factory.

RGBW - Consult factory.



9 Dimming**

- 00** = Non-dimming
- TD** = ERP Tri-Dim forward phase, reverse phase (120V) or 0-10V dimming (120-277V), 100-10% power on forward/reverse phase, 100%-1% on 0-10V, compatible controls by others

For additional dimming options [see Style S100](#) (remote driver only)

Example

S106-M028-E-02-M-00-0-935-TD

S106 Xtra-small yoke with canopy mount over recessed outlet box by others. 8" long, 28 LEDs, 350mA driver, finish semi-gloss white, 120-277V electronic dimming driver dims to 1% on 0-10V controls by others or to 10% on Triac or ELV controls by others, CSA certified for U.S., 3500K, 90+CRI.

Hangers

Order separately. See Accessories Section for specifications.

