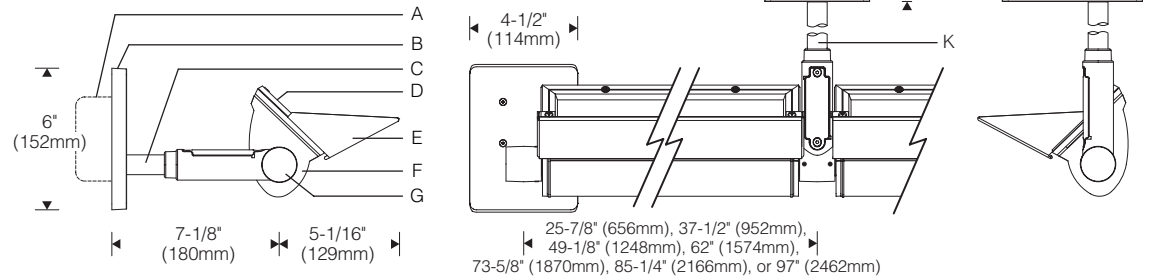
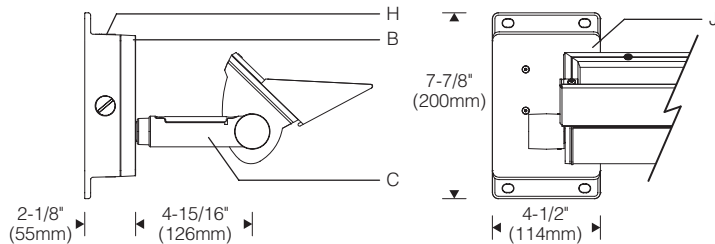


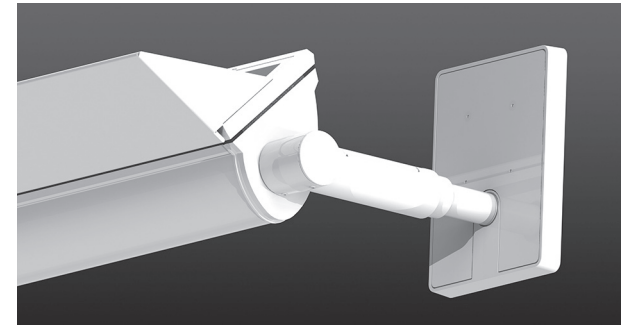
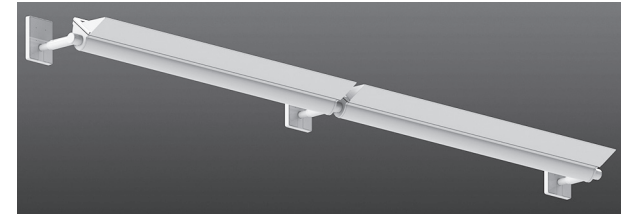
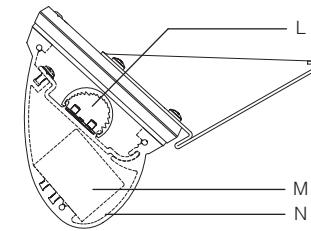
Surface Hanger (Lighting Upward) 1:8 Scale



Cantilever Hanger (Lighting Upward) 1:8 Scale



Internal Components 1:4 Scale



Specifications

- | | | | |
|---|--|--|---|
| A Recessed outlet box (by others) | E Aluminum cutoff visor | J Aluminum splice/ access cover | M Integral high power factor constant current driver |
| B Die-cast aluminum mounting plate | F Die-cast aluminum end plate | K Schedule 40 galvanized steel cantilever arm (7/8" O.D.) | N Extruded aluminum heat sink/housing |
| C Aluminum surface hanger stem | G Die-cast aluminum hub with splice compartment | L Field serviceable light engine with asymmetric optic | |
| D Extruded aluminum door frame with mitered corners, tempered micro-prismatic glass lens | H Die-cast aluminum splice box | | |

Features

- Watertight operation facing up or down
- Rugged all aluminum and stainless steel construction – polyester powder coat exceeds 1000 hour salt spray test
- Versatile – surface, cantilever or pendant mount
- Several lumen packages that put the light on target



Optic Assembly:

Two-piece extruded aluminum heat sink housing and light engine. Precision extruded polymer refractive lens with optimized asymmetric distribution. Extruded aluminum door frame with tamper-resistant fasteners. Tempered microprismatic glass lens and holographic diffuser with silicone gasket for watertight operation when facing upward or downward.

Finish:

Exterior surfaces – 6 stage pretreatment and electrostatically applied thermoset polyester powder coating for a durable abrasion, fade and corrosion resistant finish. All hardware and components – non-corrosive stainless steel or aluminum.

Electrical:

Integral electronic HPF constant current driver(s), dimming drivers are optional. 84" leads exit one end of housing. For complete driver specifications, see website, reference document [MA-1303](#).

Mounting:

Required 1-1/2" diameter x 1-1/2" aluminum hubs with 1/2" NPT threaded entry, ordered and priced separately. Housing aiming is adjustable – locks with set screws. Alternately, order hubs with surface, pendant or cantilever hangers (see SU4.1). Hangers include aluminum mounting plate, cover plate and hub with 7/8" O.D. steel arm/stem. Specify end kit or intermediate hubs/hangers.

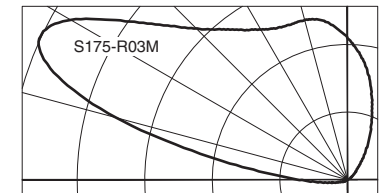
Fixture weight: 3.5 lbs/ft (5.1 kg/m)

Standard:

UL listed or CSA certified for wet locations when mounted horizontally. For positions other than horizontal, consult factory. 5 year warranty, maximum ambient temperature 45°C (113°F).

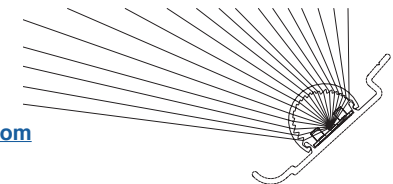
Performance

Precisely extruded acrylic lens produces an asymmetric distribution ideal for illuminating surfaces evenly.



L90(10k) > 60,000 hrs. @ 25°C per TM-21

For LM79 and photometric reports, visit thelightingquotient.com



To form a Catalog Number

S | 1 | 7 | 5 | - | | | | - | H | - | | | - | | | - | | | | - | | | |

1 2 3 4 5 6 7 8 9 10

Project: _____

Type: _____

1 Source

S = Solid state (LED)

2 Style

175 = Small linear outdoor LED, integral driver

3 Length / Light Output / Power

ORDER CODE	LENGTH	LUMENS	INPUT WATTS	NUMBER OF LEDS	DRIVE CURRENT
R02G	2FT	780	7	72	175mA
R02L	2FT	1529	14	72	350mA
R02M	2FT	2965	29	72	700mA
R03G	3FT	1170	11	108	175mA
R03L	3FT	2294	22	108	350mA
R03M	3FT	4447	43	108	700mA
R04G	4FT	1560	14	144	175mA
R04L	4FT	3059	29	144	350mA
R04M	4FT	5929	58	144	700mA
R05G	5FT	1951	18	180	175mA
R05L	5FT	3824	36	180	350mA
R05M	5FT	7412	72	180	700mA
R06G	6FT	2341	22	216	175mA
R06L	6FT	4588	43	216	350mA
R06M	6FT	8894	87	216	700mA
R07G	7FT	2731	25	252	175mA
R07L	7FT	5353	51	252	350mA
R07M	7FT	10376	101	252	700mA
R08G	8FT	3121	29	288	175mA
R08L	8FT	6118	58	288	350mA
R08M	8FT	11859	116	288	700mA

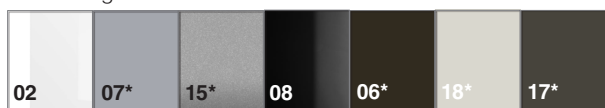
Based on 3500K/80+CRI. [Click here](#) for scaled performance table.

4 Mounting

H = For use with required mounting hubs only or mounting hubs with surface or pendant/cantilever hangers — ordered and priced separately, see hubs/hangers at right.

5 Finish

02 = Semigloss white 15 = Metallic* 99 = Custom or RAL, consult sales rep.*
 06 = Dark bronze* 17 = Champagne*
 07 = Silver* 18 = Copper*
 08 = Semigloss black



* = non-cancellable/returnable

6 Voltage

M = 120-277V Universal voltage input
 K = 347V input

7 Option

00 = No options
 V0 = Cutoff visor
 XX = For modification not listed, include detailed description. Consult factory prior to specification.

8 Destination Requirement

0 = UL listed or CSA certified for U.S.
 J = UL listed or CSA certified for Canada

9 Color Temperature / CRI

827 = 2700K, 80+ CRI 927 = 2700K, 90+ CRI
 830 = 3000K, 80+ CRI 930 = 3000K, 90+ CRI
 835 = 3500K, 80+ CRI 935 = 3500K, 90+ CRI
 840 = 4000K, 80+ CRI 940 = 4000K, 90+ CRI

Note: Additional CCT and CRI options are available; consult factory.

RGB = RGBW (Red, Green, Blue, 3500K White, for use with DMX driver only)

Tunable White - Consult factory.



10 Dimming**

00 = Non-dimming
 TD = ERP forward phase or reverse phase (120V only), dimming range 100-10% power, compatible controls by others
 ZX = 0-10V analog dimming 120-277V input, dimming range 100%-1%, 0-10V controls by others
 L2 = Lutron Hi-Lume LTE 120V input only, dimming range 100%-1%, compatible 2-wire dimming controls by others
 EL = eldoLED SOLOdrive 120-277V input, 0-10V analog dimming 100%-0.1% power (controls by others)
 ED = eldoLED SOLOdrive 120-277V input, dimming range 100%-0.1%, DALI controls by others
 DM = For RGBW only, eldoLED LINEARdrive 120-227V input, DMX controls by others

**Dimming range refers to % power input, % light output will vary.

Refer to Driver Information document [MA-1303](#)

Required Hubs, with Hangers

HOJ (hubs only), HFA or HFC (hubs with hangers) are required — ordered and priced separately. Order two hangers and one HFE end of row kit (pair of end caps) for each individually mounted luminaire or each row. For a continuous row, order one hanger for each additional luminaire in the row. Example: three rows of four housings requires 3 HFE end cap kits and 15 hangers. Note: Recessed outlet box by others or splice box style hanger required at each mounted location for electrical connections.

HFA Surface hanger, mounting/splice box options — standard length 7-1/8"

HFC Cantilever or pendant hanger, mounting/splice box options — 24" maximum horizontal for cantilever mount — 60" maximum vertical for pendant mount

Required Hubs Only, End of Row Kit

HOJ (hubs only), HFA or HFC (hubs with hangers) are required — ordered and priced separately. Hubs for use with 1/2" rigid conduit or fittings (supplied by others). Order two hubs and one HFE end of row kit (pair of end caps) for each individually mounted luminaire or each row. For a continuous row, order one hub for each additional luminaire in the row. Example: three rows of four housings requires 3 HFE end cap kits and 15 hubs. Note: Locate electrical feed at end of row.

HOJ Mounting hub only (each)
 HFE End of row kit (two end caps)

Accessories

RGBW Controls

ADW0000 = Accessory DimWheel DMX wall box controller. Mounts into standard switch box by others. Single-button controller allows control of dimming level, color and has pre-programmed show modes. Show sequences can also be designed and uploaded to DimWheel using free software by eldoLED.



The external shapes of the housings are trademarks of Sylvan R. Shemitz Designs, LLC dba The Lighting Quotient, makers of elliptipar, ambient and fraqtir.

Certain products illustrated may be covered by applicable patents and patents pending. These specifications supersede all prior publications and are subject to change without notice. Copyright © 2021 Sylvan R. Shemitz Designs, LLC, all rights reserved.

elliptipar from The Lighting Quotient
 114 Boston Post Road, West Haven, Connecticut 06516, USA
 Voice 203.931.4455 • Fax 203.931.4464 • [thelightingquotient.com](#)

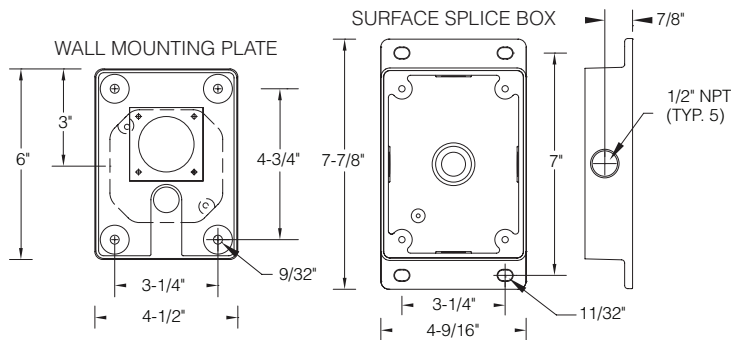


Hubs, Hangers and Splice Boxes Style S175 Solid State/LED

Ordering information for HUBS with HANGERS and SPLICE BOXES:

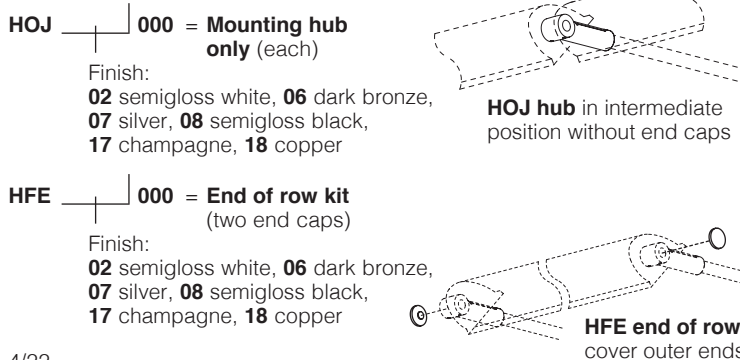
Order two hangers and one **HFE end of row kit** (two end caps, ordering info in hubs, below) for each individually mounted luminaire or each row. For a continuous row, order a hanger for each additional luminaire in the row. Example: one row of four reflectors requires five hangers and one HFE kit.

HF | | | | | **0** = Hub mounting hangers
 Length in inches (see below for maximum pendant and cantilever lengths); enter "00" for HFA hangers
 Finish: **02** semigloss white, **06** dark bronze, **07** silver, **08** semigloss black, **17** champagne, **18** copper
0 = mounting plate, no splice box
1 = mounting plate with surface splice box
A = Surface hanger (standard length is 7-1/8")
C = Cantilever or pendant hanger (24" maximum horizontal for cantilever mount) (60" maximum vertical for pendant mount)

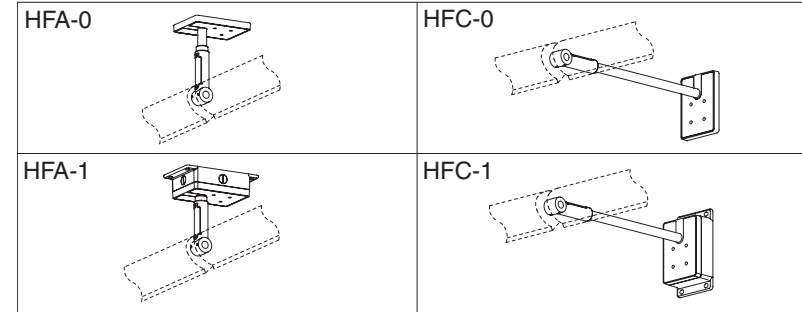


Ordering information for HUBS without stems or mounting plates:

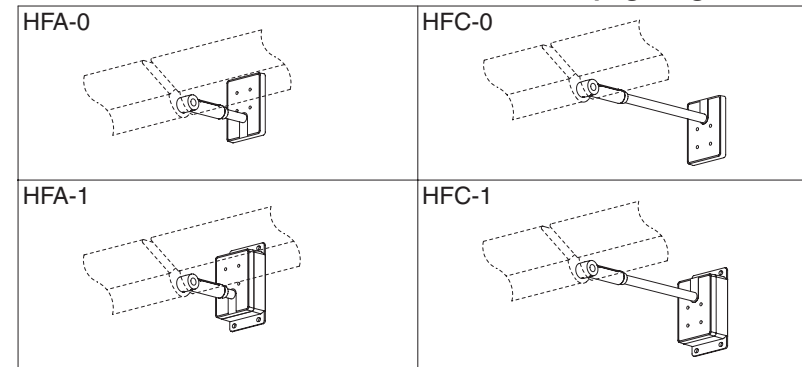
For use with 1/2" rigid conduit or fittings (supplied by others). Order two hubs and one **HFE end of row kit** (two end caps) for each individually mounted luminaire or each row. For a continuous row, order one hub for each additional luminaire in the row. Example: a row of six reflectors requires seven hubs and one HFE end of row kit.



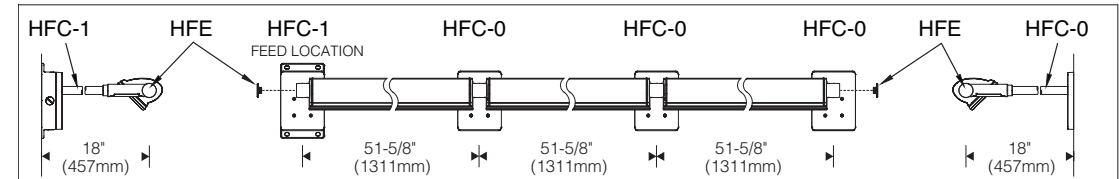
HUBS with HANGERS and SPLICE BOXES: Lighting the Vertical Plane



HUBS with HANGERS and SPLICE BOXES: Uplighting



EXAMPLE 1: 12ft row with (3) 4ft S175 fixtures and (4) 18" wall wash cantilevers, surface conduit feed at first hanger. Order (3) S175-R04_ fixtures, (1) HFC-1 surface hanger with splice box, (3) HFC-0 surface hangers and (1) HFE end kit.



EXAMPLE 2: 12ft row with (3) 4ft S175 fixtures and (4) 18" wall wash cantilevers, recessed outlet box at second hanger. Order (3) S175-R04_ fixtures, (4) HFC-0 surface hangers (one to use recessed outlet box feed), and (1) HFE end kit.

