

4" ProTools D Downlight

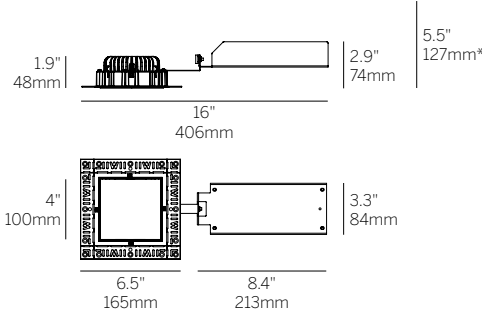
Square Flush Diffuser



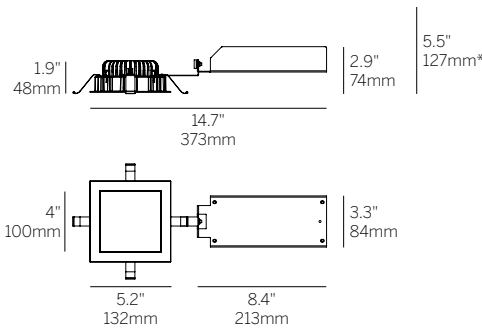
Recessed Plaster Trim



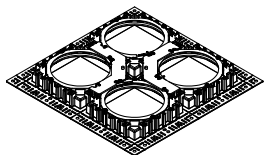
Recessed Bezel Trim



Recessed Plaster Trim (RPT)



Recessed Bezel Trim (RBT)



Multiple luminaire configurations for plaster trim. See Multiple Luminaire specsheet for details.

*Minimum of 5.5" (127mm) ceiling void is required to install the integral driver from below the ceiling.

Cut Out: \square 4.75" / 121mm

Ordering Information

WG-100SPTD					FSOD	LAM		
Model	Fixation	Power ^{1,2}	CRI/CCT ³	Driver ⁴	Lens	Beam	Finish ⁵	Options
WG-100SPTD	RPT RBT	L M H	927 930 935 940	X S D010 PEQ0 DFPN	FSOD	LAM	W S ⁶	LP CP IC TC

Luminaire

- 4" square aperture downlight for wide distribution ambient lighting.
- High angle distribution for good vertical illumination.
- High transmission, evenly illuminated Flush Satin Opal Lens.
- Luminaire and driver installed and maintained from below the ceiling.
- Modular interchangeability throughout the entire ProTools range of products.
- Multiple luminaire configurations for plaster trim. See Multiple Luminaire specsheet for details.

Fixation

- RPT = Recessed Plaster Trim
- RBT = Recessed Bezel Trim

Power^{1,2}

- L = Low Power, 11W @ 350mA
- M = Mid Power, 15W @ 500mA
- H = High Power, 22.5W @ 700mA

CRI/CCT³

- 90+ CRI (Low/Mid/High Power)
- 927 = 2700K, (850/1187/1612 lm)
 - 930 = 3000K, (875/1220/1657 lm)
 - 935 = 3500K, (922/1286/1747 lm)
 - 940 = 4000K, (972/1356/1842 lm)

Driver⁴

- X = Remote driver, ordered separately
- S = Standard non-dim driver, 120-277V
- D010 = EldoLED, 1%, 0-10V Driver, 120-277V
- PEQ0 = Lutron Hi-lume Premier 0.1% EcoSystem, 120-277V (low and mid power only)
- DFPN = Lutron Forward Phase 1% 120VAC

Lens

- FSOD = Flush Square Satin Opal Lens

Beam

- LAM = Lambertian

Finish⁵

- W = White, 15% gloss, Tiger Drylac 49/11350 (standard)
- S = Silver, 15% gloss, Tiger Drylac 49/90500⁶

Options

ProTools downlights require no additional options kits for remodel & new construction

- LP = Landing Pan
- CP = Chicago Plenum Housing
- IC = IC/NC Housing
- TC = Thicker ceiling clip for 1" - 3" ceilings (1/16" to 1" standard ceilings without TC)

¹ Other lumen packages available, consult factory.

² Wattage shown does not include power supplies/drivers. System wattage adds 10-20%.

³ Delivered lumens shown for WG-100SPTD-...-FSOD-LAM-W. See page 2 for additional details.

⁴ See power supply page for details.

⁵ See Tiger Drylac color chart: inter-lux.com/tiger

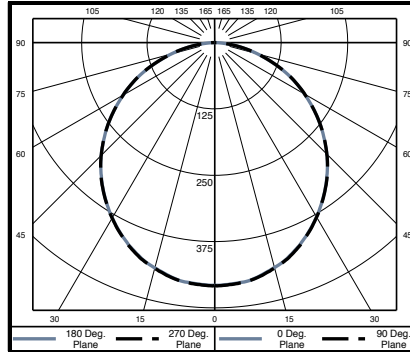
⁶ Plaster trim version includes white frame and silver cover.

4" ProTools D Downlight Square Flush Diffuser



WG-100SPTD-FSOD-W

Power	W	Delivered Lumens			
		2700K	3000K	3500K	4000K
L	11	850	875	922	972
M	15	1187	1220	1286	1356
H	22.5	1612	1657	1747	1842



Polar Plot

Cone of Light Tabulation*		
Mounting Height (Ft)	Footcandles at Nadir	Diameter (Ft)
4	28.6	5
6	12.7	7.4
8	7.2	9.9
10	4.6	12.4
12	3.2	14.9
14	2.3	17.4
16	1.8	19.8

*Tabulation uses Mid Power / 935 LED