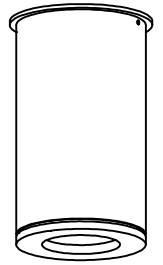
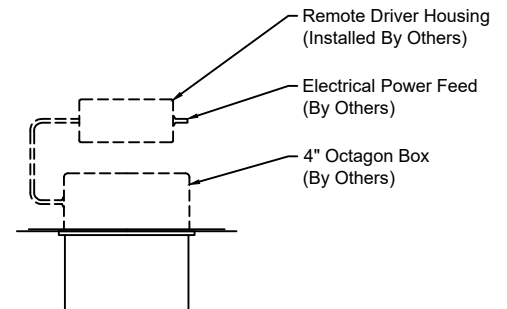
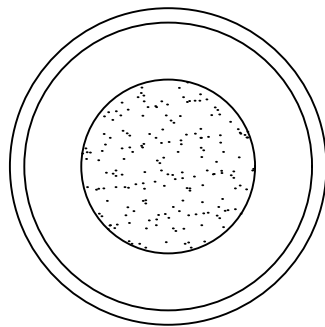
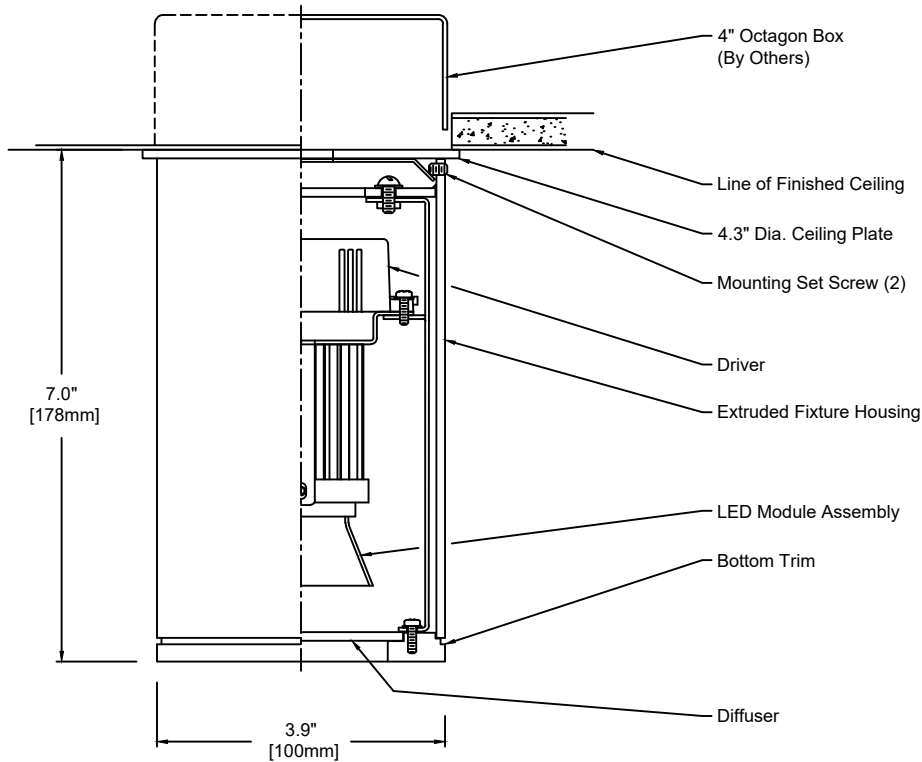


Ciro - RD

TECHNICAL SHEET



PERSPECTIVE VIEW



Remote Driver Detail

Scale: N.T.S.

Fixture Weight : 6 lbs

1282	C	7	M	830	U	S	SA	19
Model	Type	Size	Wattage	Color Temp	Voltage	Control	Diffuser	Finish
C - Ceiling	7"	L M	827 - 2,700K 830 - 3,000K 835 - 3,500K 840 - 4,000K	1 - 120 VAC only U - 120/277 V	S D010 ECO30W DFPN PEQ1 PEQ0	SA - Satin Clear Acrylic	19 - Painted Anodized Aluminum RAL 9006 - Matte 21 - Painted White - RAL 9010 Matte 22 - Painted Custom Color 26 - Painted Black - RAL 9005 Matte	

Wattage and Control

Control (Integral):
S - Non-Dim
D010 - 0-10V 10%

Wattage "L" - 8.4 Watt / 1,311 lm
Wattage "M" - 12.6 Watt / 1,710 lm

Technical Data:
Color rendering index Ra min: 80 CRI, Available in 90 CRI
Reflector angle: 80°

Remote Drivers:
Max. wiring distance / Load

Control (Constant Current, Remote):
ECO30W - EldoLED 0-10V 1%
DFPN - Lutron Forward Phase 1%, 120VAC
PEQ1 - Lutron Hi-lume 1% EcoSystem
PEQ0 - Lutron Hi-lume Premier 0.1% EcoSystem

Power and Voltage:
8.4 Watt / 18V / 500mA
12.6 Watt / 18V / 700mA

Wire Gauge	EldoLED	Lutron
#18AWG	72'	30'
#16AWG	118'	35'
#14AWG	150'	50'

