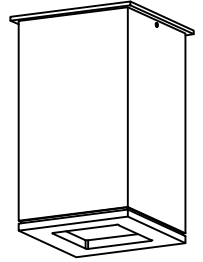
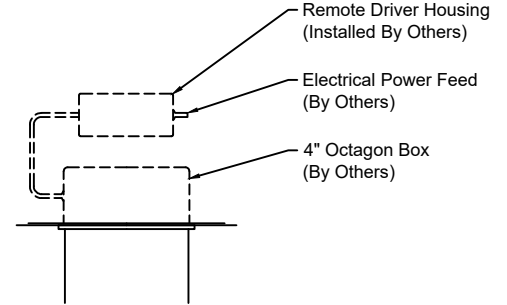
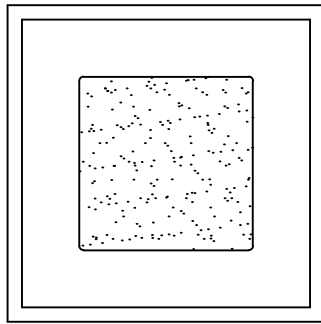
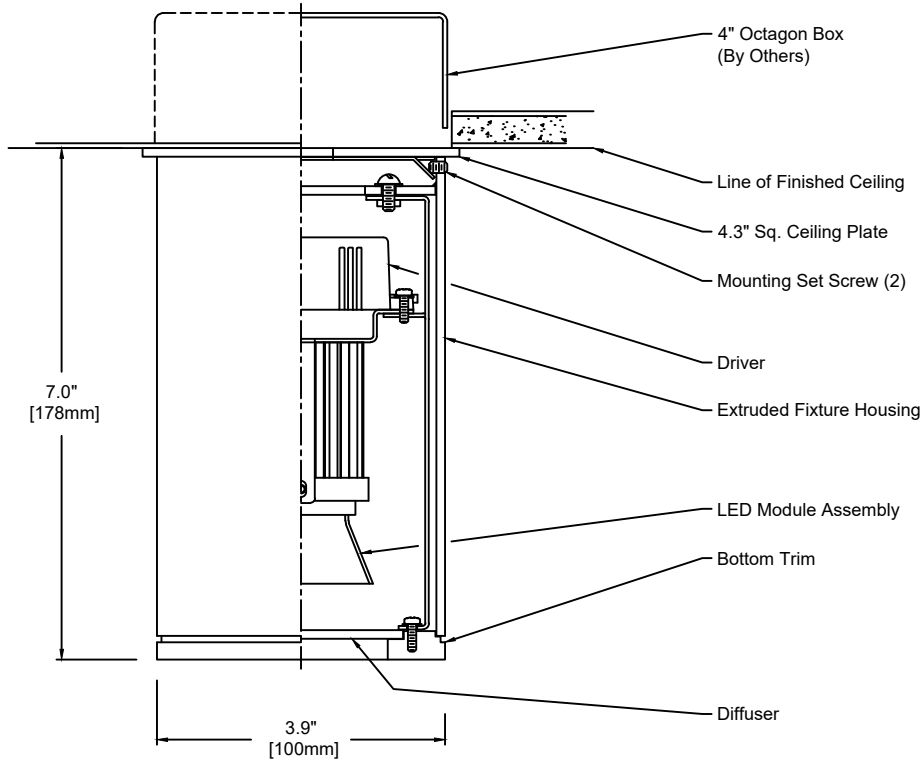


# Ciro - SQ

## TECHNICAL SHEET



PERSPECTIVE VIEW



Remote Driver Detail

Scale: N.T.S.

Fixture Weight : 6 lbs

1280	C	7	M	830	U	S	SA	19
Model	Type	Size	Wattage	Color Temp	Voltage	Control	Diffuser	Finish
	C - Ceiling	7"	L M	827 - 2,700K 830 - 3,000K 835 - 3,500K 840 - 4,000K	1 - 120 VAC only U - 120/277 V	S D010 ECO30W DFPN PEQ1 PEQ0	SA - Satin Clear Acrylic	19 - Painted Anodized Aluminum RAL 9006 - Matte 21 - Painted White - RAL 9010 Matte 22 - Painted Custom Color 26 - Painted Black - RAL 9005 Matte

**Wattage and Control**

Control (Integral):  
S - Non-Dim  
D010 - 0-10V 10%

Wattage "L" - 8.4 Watt / 1,311 lm  
Wattage "M" - 12.6 Watt / 1,710 lm

Technical Data:  
Color rendering index Ra min: 80 CRI, Available in 90 CRI  
Reflector angle: 80°

Remote Drivers:  
Max. wiring distance / Load

Control (Constant Current, Remote):  
ECO30W - EldoLED 0-10V 1%  
DFPN - Lutron Forward Phase 1%, 120VAC  
PEQ1 - Lutron Hi-lume 1% EcoSystem  
PEQ0 - Lutron Hi-lume Premier 0.1% EcoSystem

Power and Voltage:  
8.4 Watt / 18V / 500mA  
12.6 Watt / 18V / 700mA

Wire Gauge	EldoLED	Lutron
#18AWG	72'	30'
#16AWG	118'	35'
#14AWG	150'	50'

