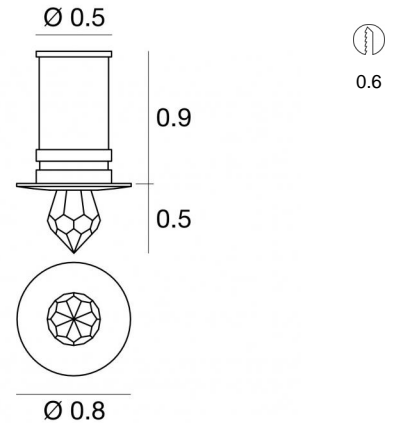




Downlights | 1 x powerLED 1 W | CRI 80 | 5000K | General Lighting | Chrome | Dry location | 350mA



LL-E91200-C-00



Technical data	
Type	Semi-recessed
Installation position	Ceiling
Installation environment	Indoor
Light Source	LED
Optics	General Lighting
Power	1 W
Operation	350mA
Source lumens	139 lm
CCT	5000 K
Color rendering index	80 Ra
Safety class	Class 2
IP	IP20
Glow wire test	850°
Direct mounting on normally flammable surfaces	Yes
CE	Yes
ETL	Yes
Dimmable article	DALI - 1-10V
Directional	No
Tilting	No
Walk-over	No
Drive-over	No
Cable included	Yes
Cable length	0.39 ft
Resin potting	No
Type of light emission	Single emission
Net weight	0.11 lbs
Electrostatic discharge protection	No
Surge protection	No
Ordinary temperature on the glass	104 °F

Finishing casing	
Material	Brass
Color	chrome
Process	Electroplating

Finishing diffuser	
Material	Glass
Color	transparent

Notes:



Downlights | 1 x powerLED 1 W | CRI 80 | 5000K | General Lighting | Chrome | Dry location | 350mA

LL-E91200-C-00

Single emission downlights for indoor application. The cold white LED light source with a general lighting light distribution is composed of 1 powered LEDs with CCT of 5000 K and a CRI 80; the source luminous flux is 139 lm, with a 139.0 lm/W nominal luminous efficacy.

The device body is made of brass and features a chrome finish, processed by means of electroplating; the diffuser is made of glass. The ingress protection degree is IP20; the total weight is of 0.11 lbs.

The total absorbed power is 1 W. The power supply cable is included and features a 0.394 ft length.

and can be ceiling-mounted, with a 0.591 in diameter hole (in plasterboard) with an outer casing, code E84916(for concrete or masonry).

Compliant with the EN 60598-1 standard and its specific provisions.

Energy efficiency class

This product contains a light source of energy efficiency class E.

Led features

Source lumens	139 lm
Color temperature	5000 K
Standard Deviation of Colour Matching	1/16 ANSI BIN
Color rendering index	80 Ra

LED Life / Failure Ratio

L70 B10 C0 197960h (at Tj 60 Ta 25)



Outer casing - White
Type of installation: masonry L=1.38in, H=0.79in, D=0.79in

Code
E84335



Outer casing - Brass
installation position: floor; type of installation: masonry L=1.89in,
H=2.36in, D=2.36in.
Material:ABS, color:black.

Code
E84916