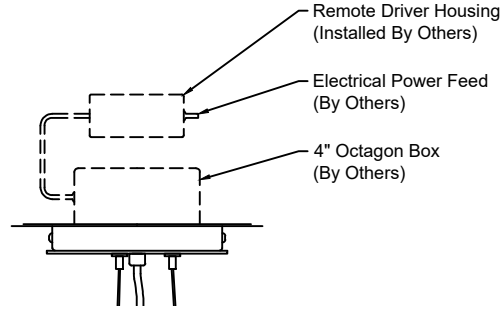
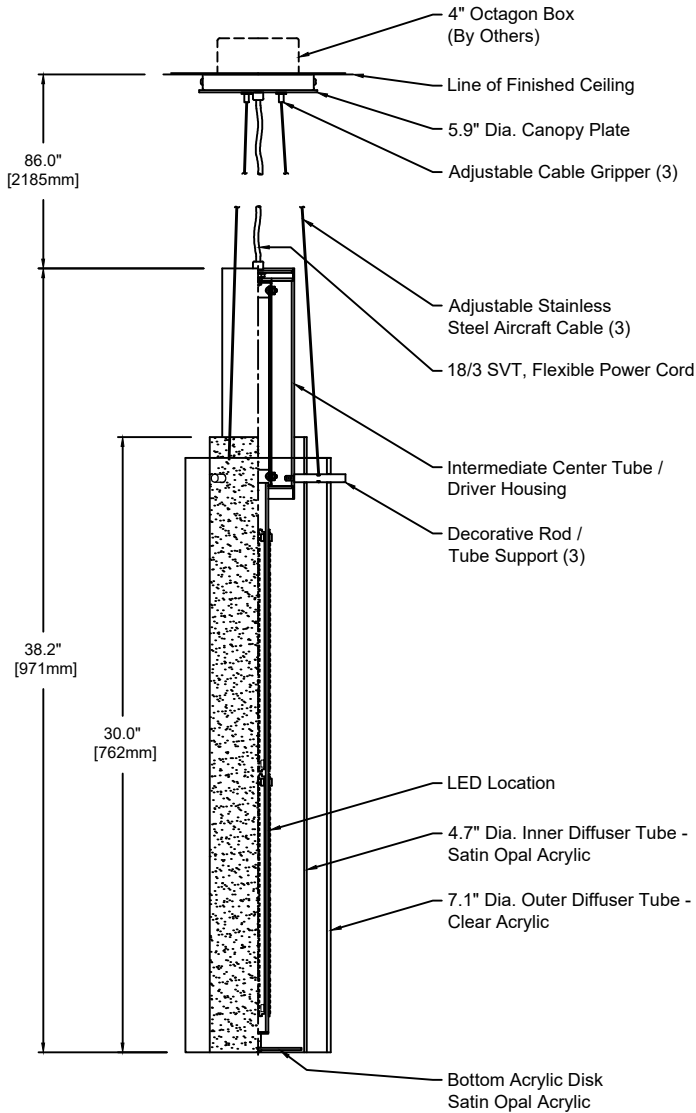


Gran Fuse

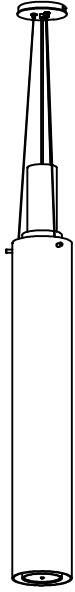
TECHNICAL SHEET



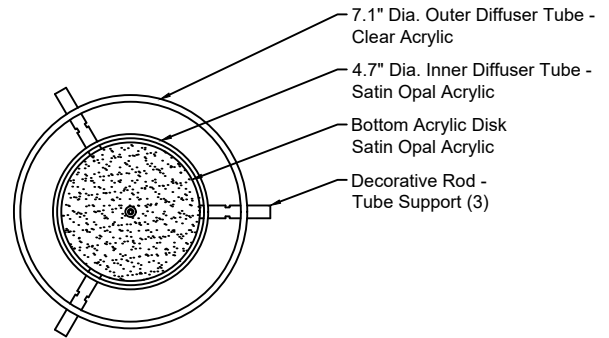
Remote Driver Detail

Scale: N.T.S.

Note:
Canopy finish matches housing



PERSPECTIVE VIEW



Reflected Plan

Scale: N.T.S.

Fixture Weight : 13 lbs

Model	Type	Size	Wattage	Color Temp	Voltage	Control	Diffuser	Finish	Options
1575	P	38	L	830	U	S	AA - SW	12	CC
	P - Pendant	38"	L	827 - 2,700K 830 - 3,000K 835 - 3,500K 840 - 4,000K	1 - 120 VAC only U - 120/277 V	S D010 DFPN L3DAE L3D0E	AA - Clear Acrylic SW - Satin Opal Acrylic	12 - Satin Nickel 19 - Painted Anodized Aluminum - RAL 9006 - Matte 21 - Painted White - RAL 9010 Matte 22 - Painted Custom Color	CC - Clear Insulated Cable (Standard) WC - White Cable BC - Black Cable

Wattage and Control

Control (Integral):
S - Non-Dim
D010 - 0-10V 10%

Control (Remote 24V):
DFPN - Lutron Forward Phase 1%, 120VAC
L3DAE - Lutron Hi-Lume 1% EcoSystem
L3D0E - Lutron Hi-Lume Premier 0.1% EcoSystem

Wattage "L" - 24 Watt
2,700K - 3,200 lm
3,000K - 3,200 lm
3,500K - 3,328 lm
4,000K - 3,392 lm

Technical Data:
Form - linear, Operating voltage: 24VDC
Color rendering index Ra min: 82 CRI, Available in 90 CRI
Viewing angle: 110°
Lifetime - L70: 60,000h
Working temperature: -20°C to 60°C (-4°F to 140°F)

Remote Drivers:
Max. wiring distance / Load
Lutron
Wire Gauge ≤40W ≤96W
#18AWG 15' 25'
#16AWG 25' 40'
#14AWG 40' 60'

