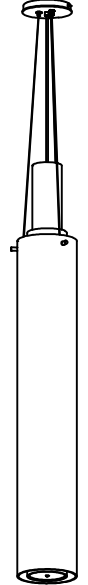
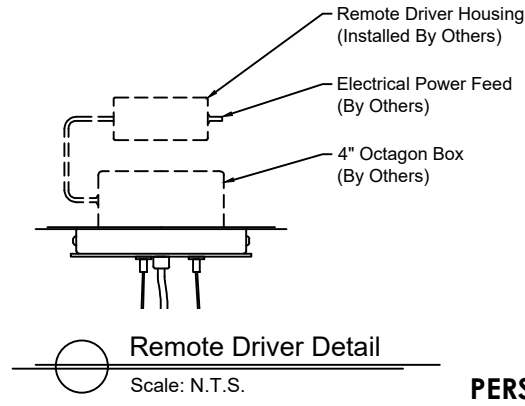
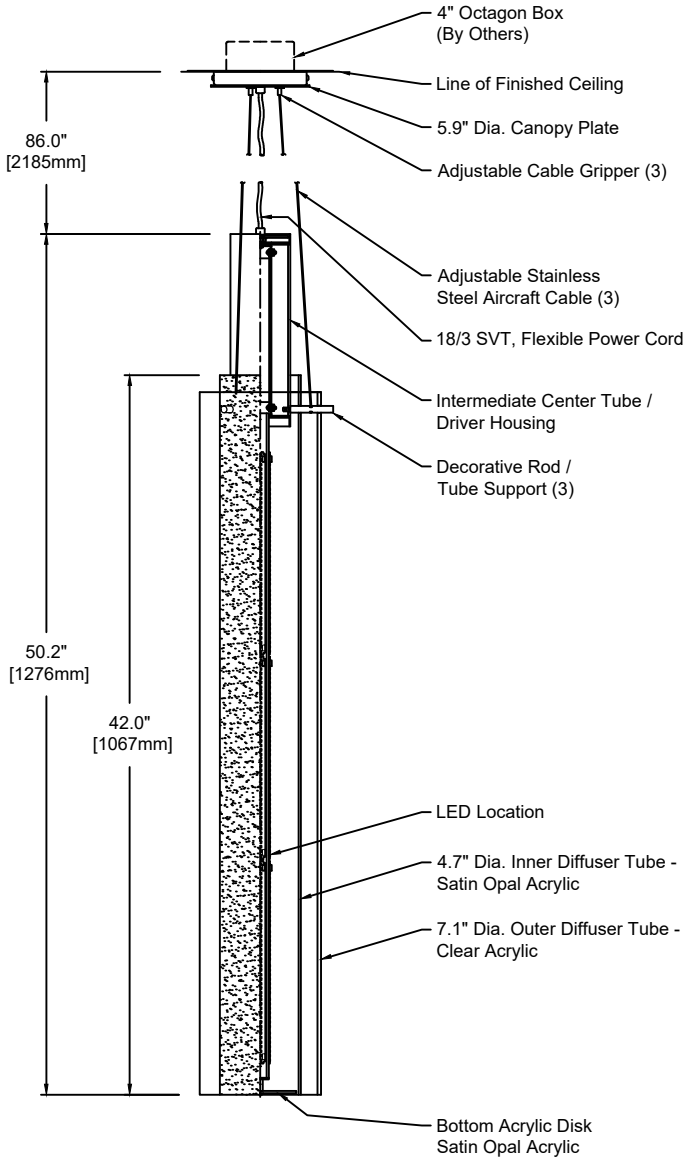
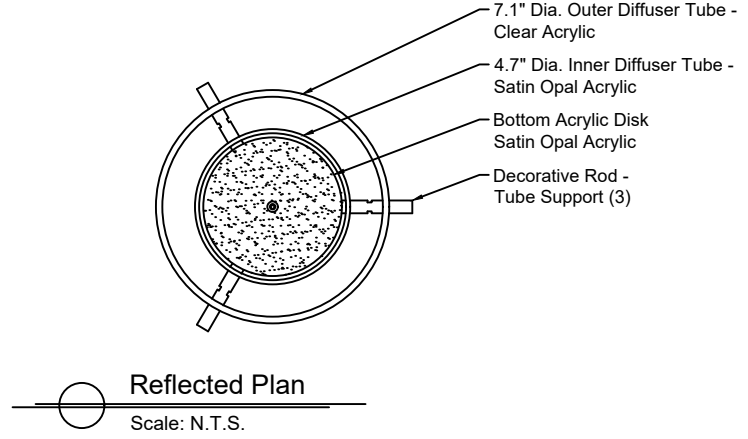


Gran Fuse

TECHNICAL SHEET



Note:
 Canopy finish matches housing



Fixture Weight : 15 lbs

Model	Type	Size	Wattage	Color Temp	Voltage	Control	Diffuser	Finish	Options
1575	P	50	L	830	U	S	AA - SW	12	CC
	P - Pendant	50"	L	827 - 2,700K 830 - 3,000K 835 - 3,500K 840 - 4,000K	1 - 120 VAC only U - 120/277 V	S D010 DFPN L3DAE L3D0E	AA - Clear Acrylic SW - Satin Opal Acrylic	12 - Satin Nickel 19 - Painted Anodized Aluminum - RAL 9006 - Matte 21 - Painted White - RAL 9010 Matte 22 - Painted Custom Color	CC - Clear Insulated Cable (Standard) WC - White Cable BC - Black Cable

Wattage and Control

Control (Integral): S - Non-Dim D010 - 0-10V 10%	Wattage "L" - 36 Watt 2,700K - 4,800 lm 3,000K - 4,800 lm 3,500K - 4,992 lm 4,000K - 5,088 lm	Technical Data: Form - linear, Operating voltage: 24VDC Color rendering index Ra min: 82 CRI, Available in 90 CRI Viewing angle: 110° Lifetime - L70: 60,000h Working temperature: -20°C to 60°C (-4°F to 140°F)	Remote Drivers: Max. wiring distance / Load Lutron Wire Gauge ≤40W ≤96W #18AWG 15' 25' #16AWG 25' 40' #14AWG 40' 60'
--	---	---	--

