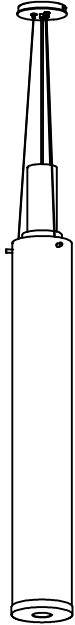
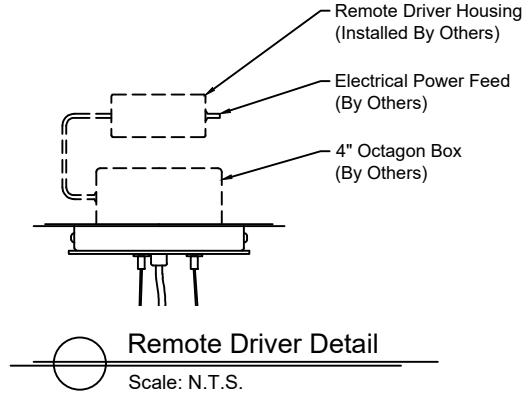
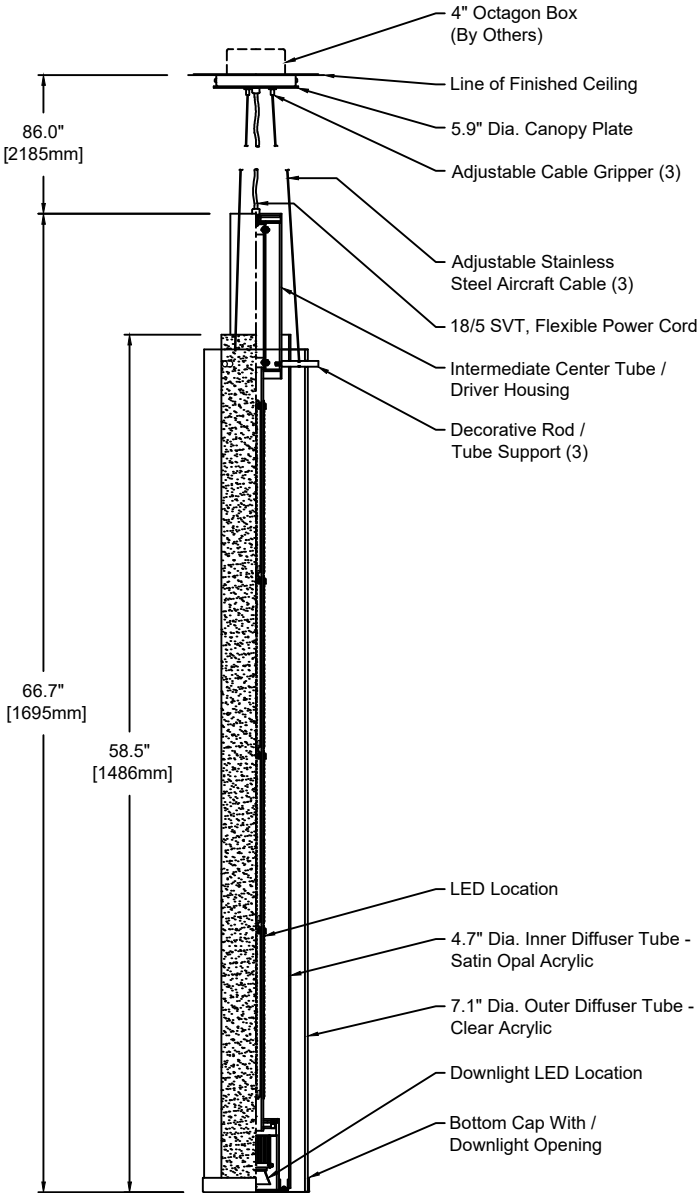


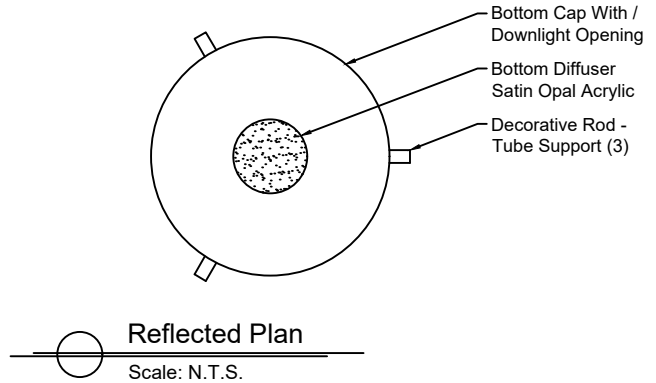
Gran Fuse

TECHNICAL SHEET



PERSPECTIVE VIEW

Note:
Canopy finish matches housing



Fixture Weight : 20 lbs

1575	P	67	L	830	H	830	U	S	S	AA - SW	12	D - CC
Model	Type	Size	Wattage General	Color Temp	Wattage Downlight	Color Temp	Voltage	Control General	Control Downlight	Diffuser	Finish	Options
P - Pendant	67"	L	827 830 835 840	M H	827 830 835 840	1 - 120 VAC only U - 120/277 V	S D010 DFPN L3DAE L3D0E	S D010 ECO30W DFPN PEQ1 PEQ0	AA - Clear Acrylic SW - Satin Opal Acrylic	12 - Satin Nickel 19 - Painted Anodized Aluminum - RAL 9006 - Matte 21 - Painted White - RAL 9010 Matte 22 - Painted Custom Color	D - Flush Downlight CC - Clear Insulated Cable (Standard) WC - White Cable BC - Black Cable	

Wattage and Control

Control for General Light (Integral 24V): S - Non-Dim D010 - 0-10V 10%	Wattage "L" - 48 Watt 2,700K - 6,400 lm 3,000K - 6,400 lm 3,500K - 6,656 lm 4,000K - 6,784 lm	Remote Drivers: Max. wiring distance / Load Lutron Wire Gauge ≤40W ≤96W #18AWG 15' 25' #16AWG 25' 40' #14AWG 40' 60'	Control (Integral, Constant Current): S - Non-Dim D010 - 0-10V 10% PEQ1 - Lutron Hi-Lume 1% EcoSystem PEQ0 - Lutron Hi-Lume Premier 0.1% EcoSystem	Wattage "M" - 8.4 Watt / 1,311 lm Wattage "H" - 12.6 Watt / 1,710 lm
Control (Remote 24V): DFPN - Lutron Forward Phase 1%, 120VAC L3DAE - Lutron Hi-Lume 1% EcoSystem L3D0E - Lutron Hi-Lume Premier 0.1% EcoSystem	Technical Data: Form - linear, Operating voltage: 24VDC Color rendering index Ra min: 82 CRI Available in 90 CRI Viewing angle: 110° Lifetime - L70: 60,000h	Working temperature: -20°C to 60°C (-4°F to 140°F)	Control (Remote, Constant Current): ECO30W - EldoLED 0-10V 1% DFPN - Lutron Forward Phase 1%, 120VAC	Technical Data: Color rendering index Ra min: 80 CRI Available in 90 CRI Reflector angle: 80°
			Remote Drivers: Max. wiring distance / Load Wire Gauge EldoLED Lutron #18AWG 72' 30' #16AWG 118' 35' #14AWG 150' 50'	Power and Voltage: 8.4 Watt / 18V / 500mA 12.6 Watt / 18V / 700mA

