

Hemera Specifications



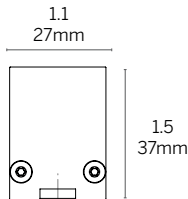
Ordering Information¹

| Model | Length | Power | Color | Optics | Voltage | Mount |
|-------|----------------------------|----------------|--------------------------------------|--------|---------|--------------|
| F HM | 12 24 36 42 48 | H L | 27 30 40 27 30 40 | SP | 24 | S A EA |

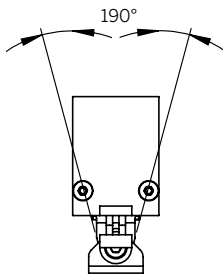
¹Specify remote power supply separately below.

²H recommended for higher ambient light environs.

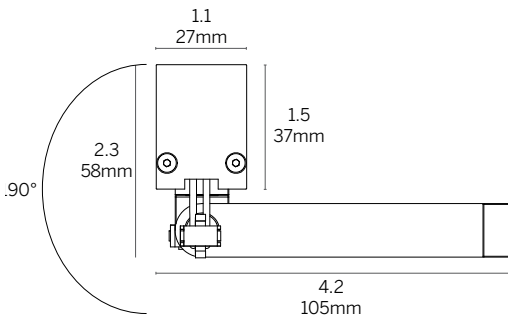
Surface (S)



Adjustable Bracket (A)



Extended adjustable bracket (EA)



Luminaire

- Surface mounted linear LED with high performance optics for outdoor and indoor use.
- Continuous run of standard lengths up to 48" plug and play
- Surface or adjustable bracket installation.
- UL STD 1598, IP67
- Extruded aluminum body, RAL9003
- Protective PMMA cover
- Installation clips, adjustable holder
- Cross section 1" (27mm) W, 1.5" (37.2mm) H
- Supplied with plug and play IP67 oil and water resistant 11.8" (.3m) feed cable standard

Length

- 12 = 12.6" (324mm) OAL
- 24 = 24.4" (624mm) OAL
- 36 = 36.2" (920mm) OAL
- 42 = 42.1" (1070mm) OAL
- 48 = 48" (1224mm) OAL

Power (delivered)

- H = 7W/ft, 1108 lm/ft
- L = 3W/ft, 480 lm/ft

Color Temperature

- 27 = 2700K
- 30 = 3000K
- 40 = 4000K
- 2 Step MacAdam
- CRI: > 85

Optics

- SP = 15° angle

Voltage

- 24 = 24Vdc fixture voltage

Mounting

- S = surface
- A = adjustable bracket
- EA = Extended adjustable bracket

Options

- 102150 = 3.3' (1m) feed cable
- 102153 = 1' (0.3m) jumper cable
- 102152 = 3.3' (1m) jumper cable

Power Supply² (Remote)

Non-Dim

- D-520-24007: Osram 96W, 24VDC, 120-277VAC

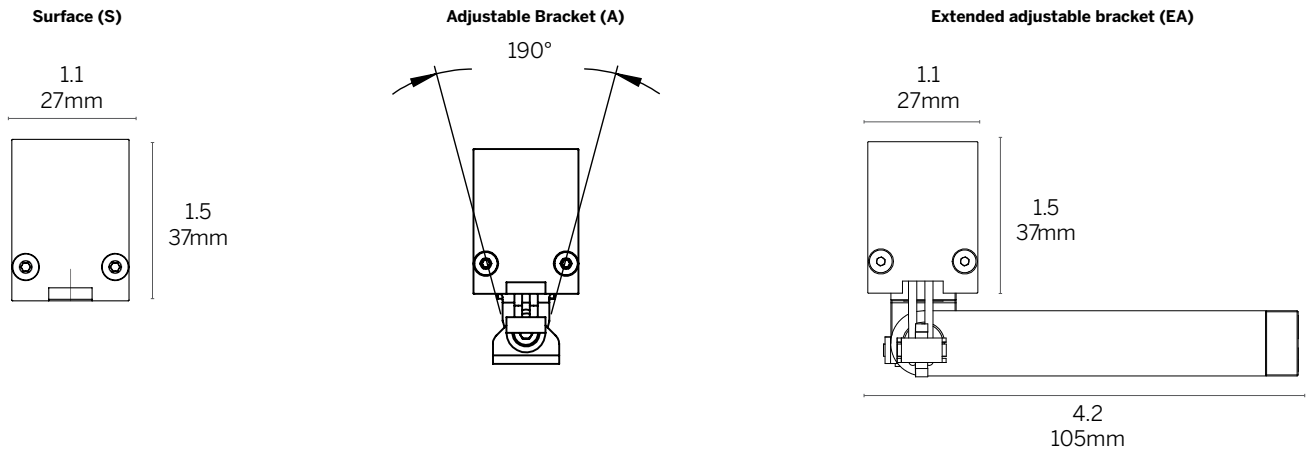
Dim

- D-520-24006: Osram 10% 0-10V dimming, 96W, 24VDC, 120-277VAC
- IL-JB-LED-24003-120V-DFPN: Lutron LTE 1% Forward Phase (with neutral) dimming, 5-40W, 24VDC, 120VAC, Case K, dry location enclosure (not suitable for 48" High power or 12" Low power fixtures)

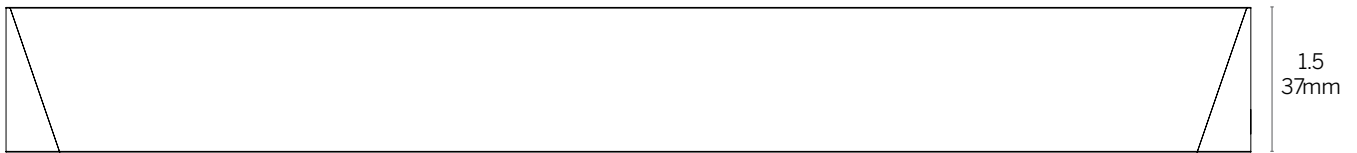
- IL-JB-LED-24010-UNV-D3W: Lutron L3D 1% 3-wire dimming, 5-40W, 24VDC, 120-277VAC, Case K, dry location enclosure (not suitable for 48" High power or 12" Low power fixtures)
- IL-JB-LED-24010-UNV-DES: Lutron L3D 1% EcoSystem dimming, 5-40W, 24VDC, 120-277VAC, Case K, supplied in a dry location enclosure (not suitable for 48" High power or 12" Low power fixtures)

²See power supply pages for details. No enclosure, unless stated. Im80 values shown.

Fixture



Housing



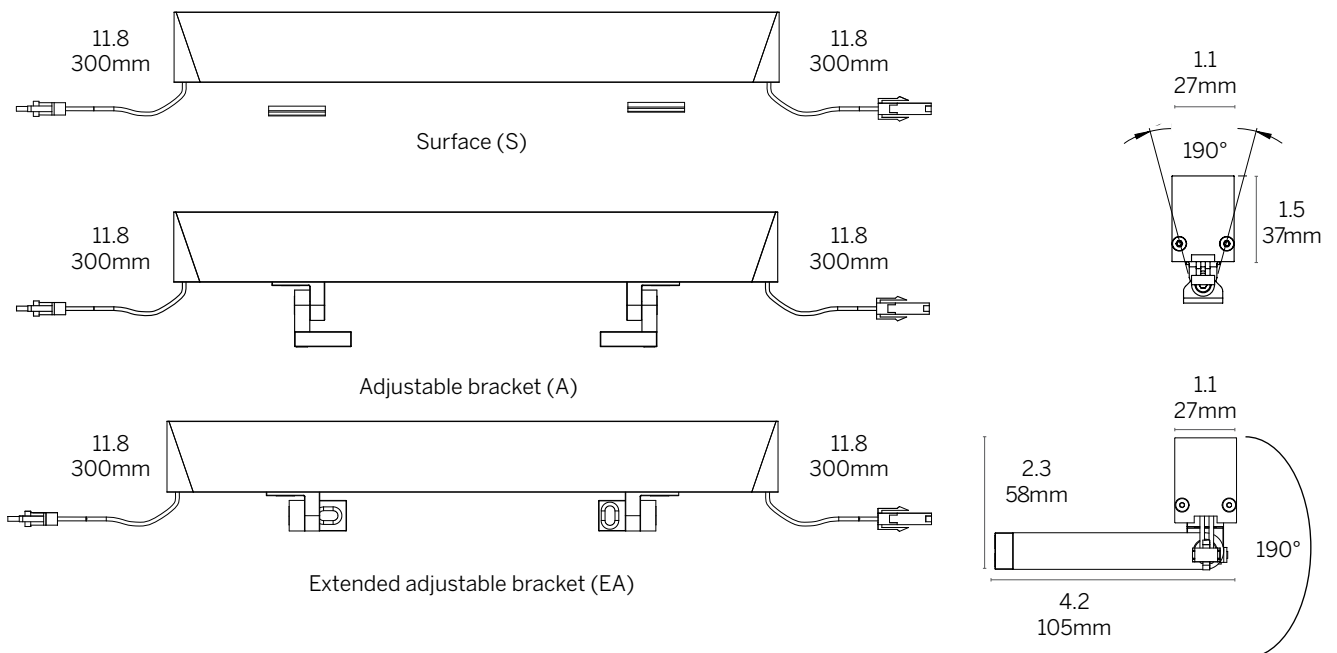
12.6 / 24.4 / 36.2 / 42.1 / 48
 320mm / 620mm / 920mm / 1070mm / 1220mm

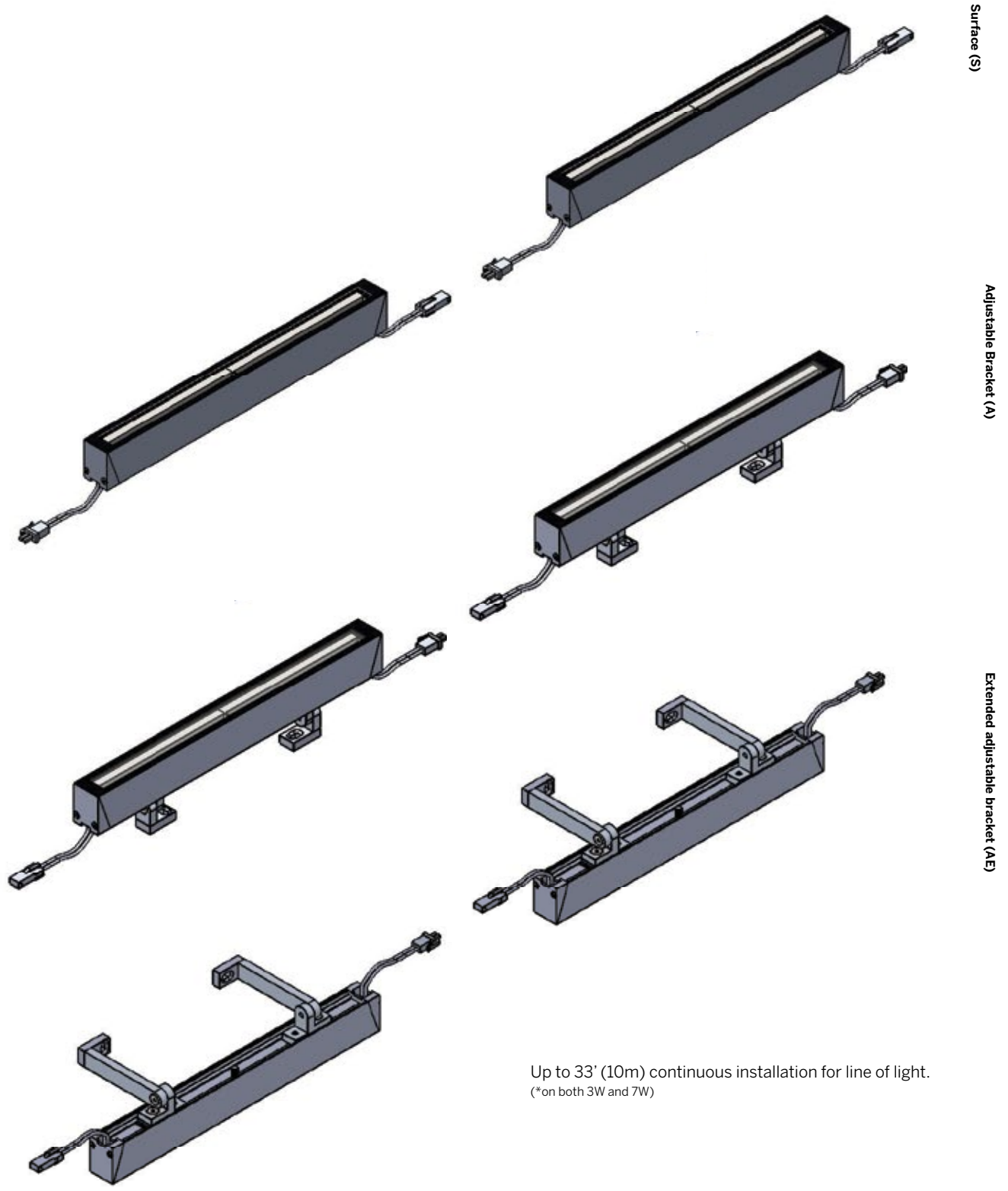
Top View



12.6 / 24.4 / 36.2 / 42.1 / 48
 320mm / 620mm / 920mm / 1070mm / 1220mm

Installation Options





Up to 33' (10m) continuous installation for line of light.
(*on both 3W and 7W)

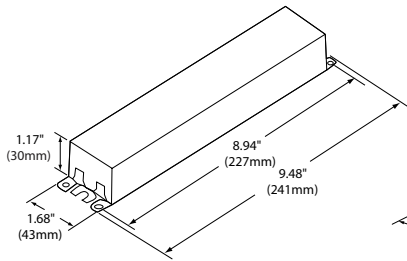
Single Color Drivers

| Qty. | Part Number | Description | Case | Nominal Input Voltage (V) | Nominal Input Current (A) | Power Factor | Output Power Range (W) | Dimming Mode | Dimming Control | Dimming Range | Location Rating |
|------|---------------------------|-------------------------------------|------|---------------------------|---------------------------|--------------|------------------------|--------------|----------------------------|---------------|-----------------|
| | D-520-24007 | Osram non-dim | 1 | 120 277 | 0.97 0.39 | 0.9 | 1-96 | N/A | N/A | N/A | Damp |
| | D-520-24006 | Osram 0-10V dim | 1 | 120 277 | 0.97 0.39 | 0.9 | 1-96 | PWM | 0-10V | 10-100% | Damp |
| | IL-JB-LED-24003-120V-DFPN | Hi-Lume A Series LED LTE | 2 | 120 | 0.38 | 0.99 | 5-40 | PWM | Forward phase with neutral | 1-100% | Dry |
| | IL-JB-LED-24010-UNV-D3W | Hi-Lume A Series LED L3D, 3-wire | 2 | 120 277 | 0.38 0.17 | 0.99 0.96 | 5-40 | PWM | 3-Wire | 1-100% | Dry |
| | IL-JB-LED-24010-UNV-DES | Hi-Lume A Series LED L3D, EcoSystem | 2 | 120 277 | 0.37 0.17 | 0.99 0.96 | 5-40 | PWM | Ecosystem® | 1-100% | Dry |

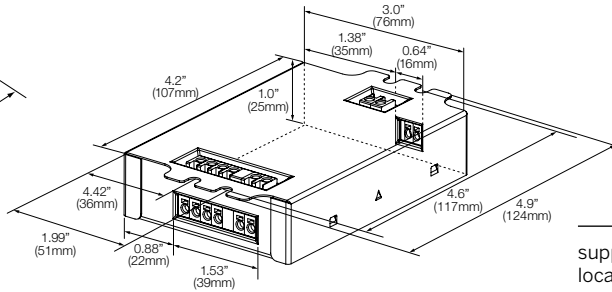
Although it is possible to exceed the remote mounting distance, the installer and/or end user must take precautions to prevent and/or test the effects of EMI (electromagnetic interference).

Case dimensions

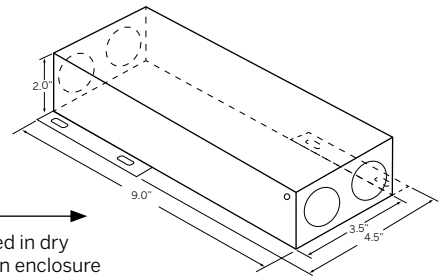
Case 1 (no enclosure)



Case 2 Hi-Lume, case K (enclosure supplied)

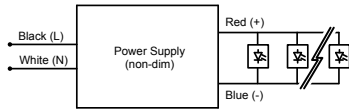


supplied in dry location enclosure

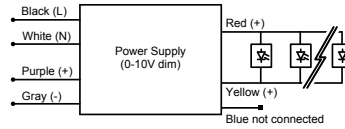


Wiring diagrams

96W Non-Dim

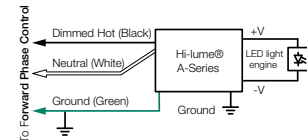


96W Dim



LTE (forward phase with neutral)

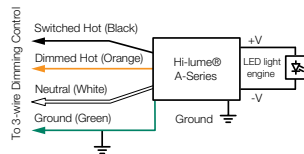
Wiring Diagram for Forward Phase Control



Note: Colors shown correspond to terminal blocks on driver.

L3D (3-wire)

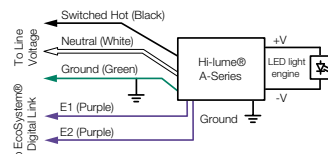
Wiring Diagram for 3-Wire Control



Note: Colors shown correspond to terminal blocks on driver.

L3D (Ecosystem®)

Wiring Diagram for EcoSystem® Digital Control



Note: Colors shown correspond to terminal blocks on driver.

Maximum wiring distance*

| Wire gauge | Load per driver | | | |
|------------|-----------------|------|--------|------|
| | Osram | | Lutron | |
| | ≤48W | ≤72W | ≤96W | ≤40W |
| #18AWG | 37' | 25' | 18' | 15' |
| #16AWG | 59' | 39' | 29' | 25' |
| #14AWG | 95' | 63' | 47' | 40' |
| #12AWG | 151' | 101' | 75' | 60' |
| #10AWG | 241' | 160' | 120' | - |

*Voltage drop guide for 24VDC. Actual Voltage drop to be calculated by installer