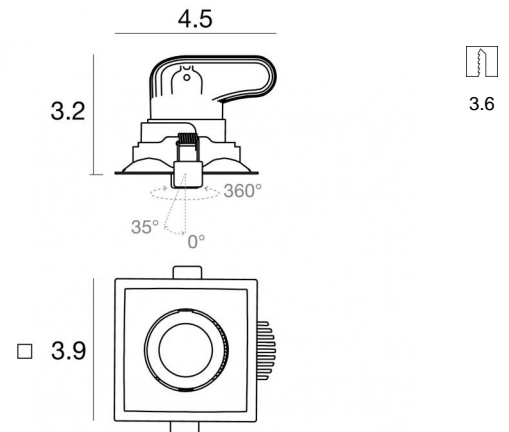




Downlights | arrayLED 8 W | CRI 92 | 2700K | Flood | Embossed white RAL 9003 | Tiltable |
 Damp location | 220mA
LL-E80346-M-30



Technical data

Type	Encasement with flange
Installation position	Ceiling
Installation environment	Indoor
Light Source	LED
Optics	Flood
Light emission direction	downward
Power	8 W
Operation	220mA
Source lumens	883 lm
CCT	2700 K
Color rendering index	92 Ra
Safety class	Class 2
IP	IP44
Optical compartment IP	IP65
IK	IK08
Glow wire test	850°
Direct mounting on normally flammable surfaces	Yes
CE	Yes
ETL	Yes
Dimmable article	Yes
Directional	No
Tilting	Yes
total angle (horizontal plane)	350 °
total angle (vertical plane)	35 °
Walk-over	No
Drive-over	No
Cable included	Yes
Cable length	0.98 ft
Resin potting	No
Type of light emission	Single emission
Net weight	0.77 lbs
Electrostatic discharge protection	No
Surge protection	No
Ordinary temperature on the glass	104 °F

Finishing casing

Material	Die-cast Aluminum EN AB - 46100
Color	Embossed white RAL 9003
Process	Powder coating

Finishing diffuser

Material	UV Resistant Polycarbonate
Color	transparent

Finishing radiator

Material	Die-cast Aluminum EN AB - 46100
Color	Aluminum
Process	Polishing

Cables Electrification

Cable connector	MALE JST SMR-02V-B
Cable connector	FEMALE JST SMR-02V-BC

Notes:



Downlights | arrayLED 8 W | CRI 92 | 2700K | Flood | Embossed white RAL 9003 | Tiltable |
 Damp location | 220mA | Base
LL-E80346-M-30

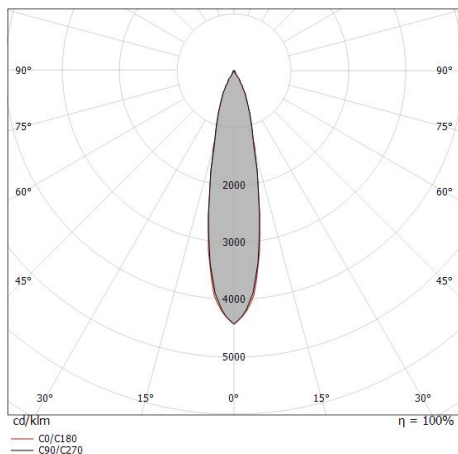
Single emission downlights for indoor application. The super warm LED light source with a flood light distribution is composed of 1 arrayed LEDs with CCT of 2700 K and a CRI 92; the source luminous flux is 883 lm, with a 110.4 lm/W nominal luminous efficacy.

The device body is made of die-cast aluminium en ab - 46100 and features a embossed white ral 9003 finish, processed by means of powder coating; the diffuser is made of uv resistant polycarbonate. The ingress protection degree is IP44; the total weight is of 0.772 lbs.

The total absorbed power is 8 W. The power supply cable is included and features a 0.984 ft lenght.

and can be ceiling-mounted, with a 3.583 x 3.583 mm hole (in plasterboard).

Compliant with the EN 60598-1 standard and its specific provisions.



Distance [m]	Cone diameter [m]	illuminance [lx]
0.5	0.20 0.20	E(0°) 11316 E(C90) 11.2° 5348 E(C0) 11.3° 5346
1.0	0.40 0.40	E(0°) 2829 E(C90) 11.2° 1337 E(C0) 11.3° 1337
1.5	0.59 0.60	E(0°) 1257 E(C90) 11.2° 594 E(C0) 11.3° 594
2.0	0.79 0.80	E(0°) 707 E(C90) 11.2° 334 E(C0) 11.3° 334
2.5	0.99 1.00	E(0°) 453 E(C90) 11.2° 214 E(C0) 11.3° 214
3.0	1.19 1.20	E(0°) 314 E(C90) 11.2° 149 E(C0) 11.3° 149

— C0/C180 (Half-peak divergence: 22.6°)
 — C90/C270 (Half-peak divergence: 22.4°)

Energy efficiency class

This product contains a light source of energy efficiency class F.

Led features

Light Output Ratio (LOR)	72 %
Source lumens	883 lm
Delivered lumens	638 lm
Power	8 W
Luminaire efficacy	79 lm/W
Color temperature	2700 K
Standard Deviation of Colour Matching	2 Step MacAdam
Color rendering index	92 Ra
Gamut Area Index	51 GAI
Color Rendering Index	60 R9
IES TM-30 Rf	90
IES TM-30 Rg	99
Black Body Locus	On

LED Life / Failure Ratio

L70 B10 C0 296960h (at Tj 65 Ta 25)

UGR

UGR axial	7.8
UGR transversal	7.8
X=4H Y=8H	S=0.25H
Reflection factor	70/50/20

OPTICAL

Light distribution symmetry	Symmetrical
C0/C180 optics	22°

COLOR VECTOR GRAPHIC

