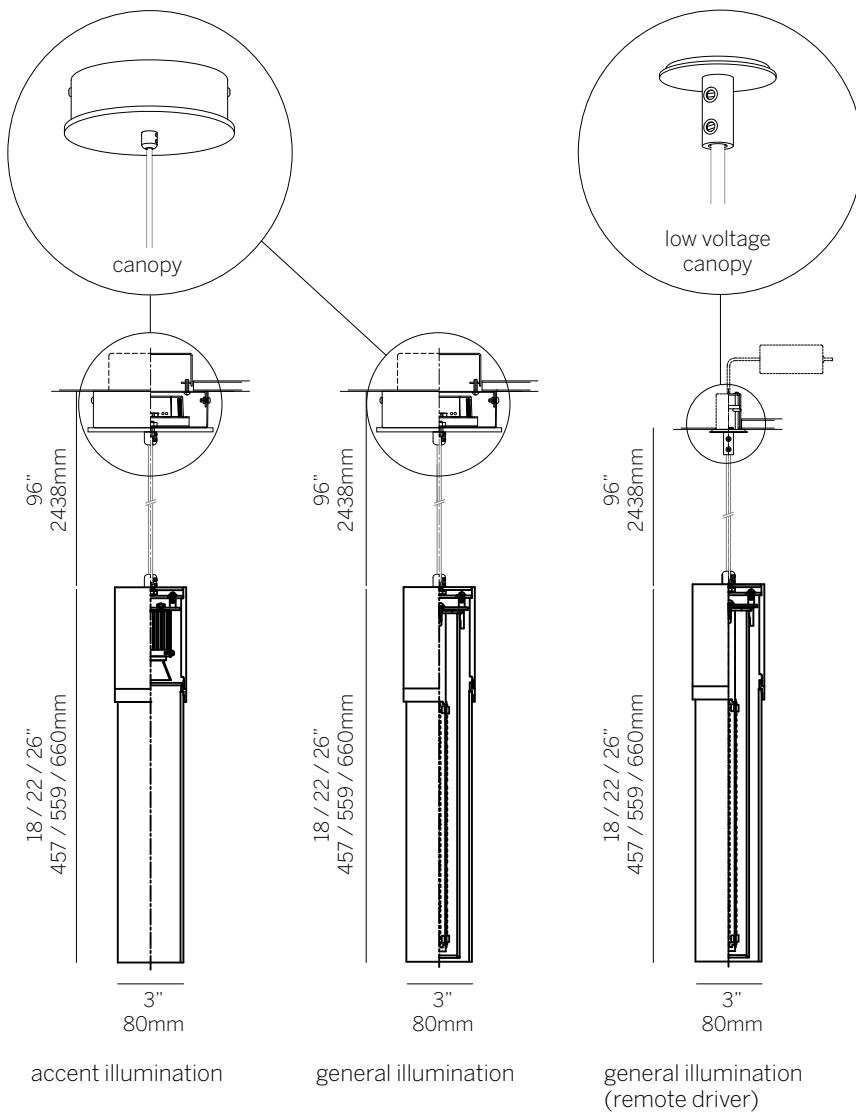


# Plume

White opal diffuser in combination with natural metal finishes offers uniform contemporary design and a distinctive look. With two very different lighting performance options, Plume can be used for accent over a work surface, or general space illumination.



## Notes

- <sup>1</sup>Nominal lumens
- <sup>2</sup>82 CRI standard / 90 CRI available
- <sup>3</sup>Canopy finish matches housing
- <sup>4</sup>96" clear insulated cable standard

# inter•lux

**Model 1560** 1560

**Type**  
P Pendant P

**Size**  
18 18"  
22 22"  
26 26"  
Custom

**Wattage<sup>1</sup>**

*Accent Illumination*  
18" / 22" / 26"

M 8.4W (1311lm) @ 500mA  
H 12.6W (1710lm) @ 700mA

*General Illumination*  
18"

L 12W (1600lm)

22"

L 16W (2133lm)

26"

L 20W (2666lm)

**Color Temp<sup>2</sup>**

827 2700

830 3000

835 3500

840 4000

**Voltage**

U 120/277

I 120VAC only

**Control (Accent / Constant Current)**

S Non-dim (Integral)

D010 0-10V 10% (Integral)

ECO30W EldoLED 0-10V 1% (Remote)

DFFN Lutron Forward Phase 1% 120VAC (Integral)

PEQ1 Lutron Hi-lume 1% EcoSystem (Integral)

PEQ0 Lutron Hi-lume Premier 0.1% EcoSystem (Integral)

**Control (General / 24V)**

S Non-dim (Integral)

D010 0-10V 10% (Integral)

DFFN Lutron Forward Phase 1% 120VAC (Integral)

L3DAE Lutron Hi-lume 1% EcoSystem (Integral)

L3DOE Lutron Hi-lume Premier 0.1% EcoSystem (Remote)

**Diffuser**

WA White opal acrylic

WG White opal glass

**Finish<sup>3</sup>**

10 Satin stainless steel

12 Satin nickel

21 Painted white - RAL 9010 matte

22 Painted custom color

**Options**

CC Clear insulated cable (standard)<sup>4</sup>

WC White cable

BC Black cable

