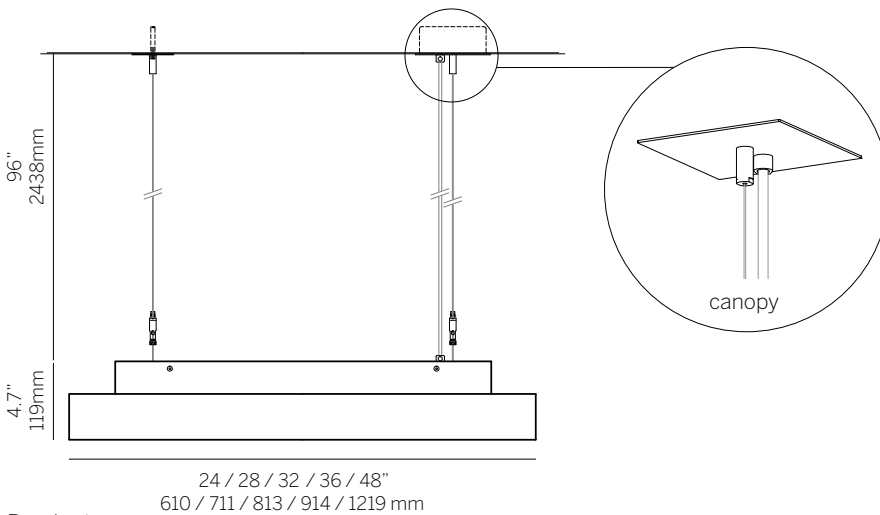
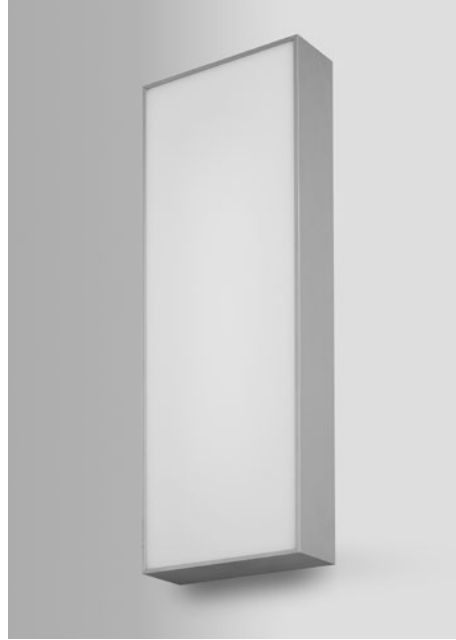
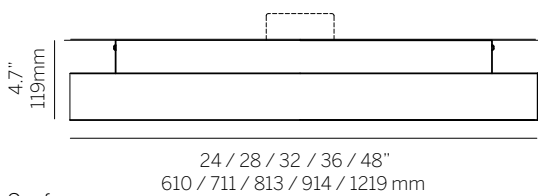


Step RC

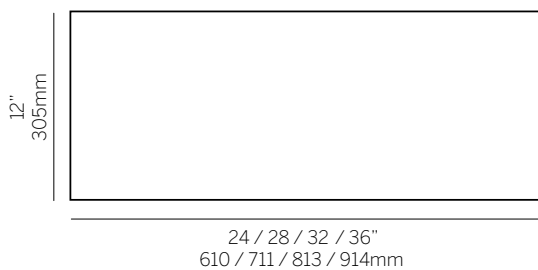
The clean lines of the Step RC make it suitable for use in any modern environment. Step RC is available in pendant and surface versions with evenly illuminated satin white lens, and 10% uplight. In various sizes and with different light sources it is suitable for individual workspace task lighting, conference rooms or larger spaces when used in multiple configurations.



Pendant



Surface



Notes

- ¹Nominal lumens
- ²82 CRI standard / 90 CRI available
- ³Canopy finish matches housing
- ⁴96" clear insulated cable standard

inter•lux

Model 1541

1541

Type

- P Pendant
- S Surface

Size

- 24 24"
- 28 28"
- 32 32"
- 36 36"
- 48 48"
- Custom

Wattage¹

- 24"
 - L 8W (1067lm)
 - M 16W (1981lm)
- 28"
 - L 10W (1333lm)
 - M 20W (2477lm)
- 32"
 - L 12W (1600lm)
 - M 24W (2972lm)
- 36"
 - L 14W (1867lm)
 - M 28W (3467lm)
- 48"
 - L 20W (2667lm)
 - M 40W (4953lm)

Color Temp²

- 827 2700
- 830 3000
- 835 3500
- 840 4000

Voltage

- U 120/277
- I 120VAC only

Control (24V)

- S Non-dim (Integral)
- D010 0-10V 10% (Integral)
- DFFN Lutron Forward Phase 1% 120VAC (Integral)
- L3DAE Lutron Hi-lume 1% EcoSystem (Integral)
- L3D0E Lutron Hi-lume Premier 0.1% EcoSystem (Remote)

Diffuser

- SW Satin opal acrylic (bottom)
- XX Clear polycarbonate - sanded both sides (top)

Finish³

- 16 Clear anodized aluminum
- 21 Painted white - RAL 9010 matte
- 22 Painted custom color

Options

- CC Clear insulated cable (standard)⁴
- WC White cable
- BC Black cable



For up to date technical information, refer to inter-lux.com/alm



inter-lux.com/alm