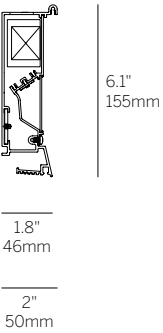


Vertical Box Cove Plaster Trim

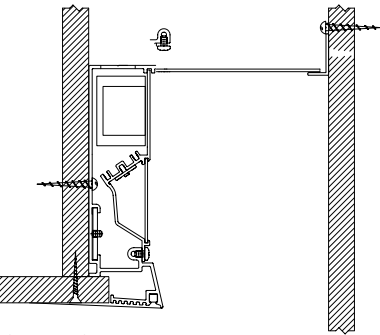
3 Sided Pattern Coffer Submittal

Project Name _____ SO# _____

Fixture Type _____ PO# _____



Plaster Trim (RPT)



Gypsum Ceiling Mouting
 } 4" minimum offset, 6" typical offset.

Ordering Information										
Model	Fixation	Pattern	Length	Power ¹	CRI/CCT ²	Driver ³	In-fill	Lens	Finish	Options
WG-VBC	RPT	PC ²	A A x B A x B x C A x B x A x B	L M H	927 930 935 940	X S D010 L3DAE L3DOE DFPN	X P4 P6	SDC	W (std) B G F	LEC REC LREC

Luminaire

- Light source positioned for optimum vertical spread of illumination.
- Light source is not visible from any viewing angle up to and including direct vertical view.
- Delivers continuous soft wash of directed light to adjacent surface.
- Satin clear diffuser for high efficiency and soft edge beam without striations.
- Removable light source sub assembly for simple installation and maintenance.
- High efficiency linear LED in a range of outputs.
- Lengths and angles factory cut to exact field dimensions.
- Mitered corners available with continuous illumination.

Fixation

- RPT = Recessed plaster trim

Pattern

- S = Straight run¹
- PC = Standard patterns coffer 2, 3 or 4 sided with 90° corners²
- PR = Standard patterns raft 2, 3 or 4 sided with 90° corners²
- PZ = Non-standard patterns and/or corners other than 90°, consult factory²

Length

- A, B, C = specify inches to the nearest 0.25" (i.e. 72.25") For patterns specify each length (i.e. 2 sided: A x B = 72.25" x 48"; 3 sided: A x B x C; 4 sided: A x B x A x B)

Power³

- L = 3.2W/ft low power (24V)
- M = 6.4W/ft medium power (24V)
- H = 10.5W/ft high power (24V)

CRI / CCT⁴

- 90+ CRI minimum (Low/Mid/High)
- 927 = 2700K, (224/413/616 lm/ft)
- 930 = 3000K, (231/426/636 lm/ft)
- 935 = 3500K, (235/435/649 lm/ft)
- 940 = 4000K, (238/439/655 lm/ft)

Driver (integral)⁵

- X = No driver, ordered separately
- S = Standard driver 120-277V
- D010 = Osram, 10%, 0-10V dimming, 120-277V
- L3DAE = Lutron Hi-lume 1% EcoSystem, 120-277V
- L3DOE = Lutron Hi-lume Premier 0.1% EcoSystem, 120-277V (remote)
- DFPN = Lutron Forward Phase 1%, 120VAC

In-fill

- X = No in-fill panel
- P4 = 4" in-fill panel
- P6 = 6" in-fill pane
- P8 = 8" in-fill panel

Lens

- SDC = Satin Dust Cover

Finish

- W = White, 20% gloss, RAL9010 (standard)
- B = Black, 20% gloss
- G = Gray, 20% gloss
- F = Custom finished trim, specify RAL

Options

- LEC = Left end cap
- REC = Right end cap
- LREC = Left & right end caps

- Standard setup assumes the cove ends at a perpendicular wall and the LED board is setback from the end to minimize light on the perpendicular wall. Contact us for options.
- See pattern spec sheet.
- Wattage shown does not include power supplies/drivers.
- Delivered lumens with satin clear diffuser shown.
- Integral driver, except L3DOE (remote only). See power supply page for details.

Customer Approval	
<input type="checkbox"/> Approved	Company _____
<input type="checkbox"/> Approved with corrections noted	Signature _____
<input type="checkbox"/> Revise and Resubmit	Print Name _____
	Date _____

Original Submission Date _____



Vertical Plaster Cove LED

Submittal - 3 Sided Pattern Coffer

Project Name _____ SO# _____

Fixture Type _____ PO# _____

System	Qty.	Overall Length		
		'A'	'B'	'C'
1	_____	_____	_____	_____
2	_____	_____	_____	_____
3	_____	_____	_____	_____
4	_____	_____	_____	_____

Customer Approval

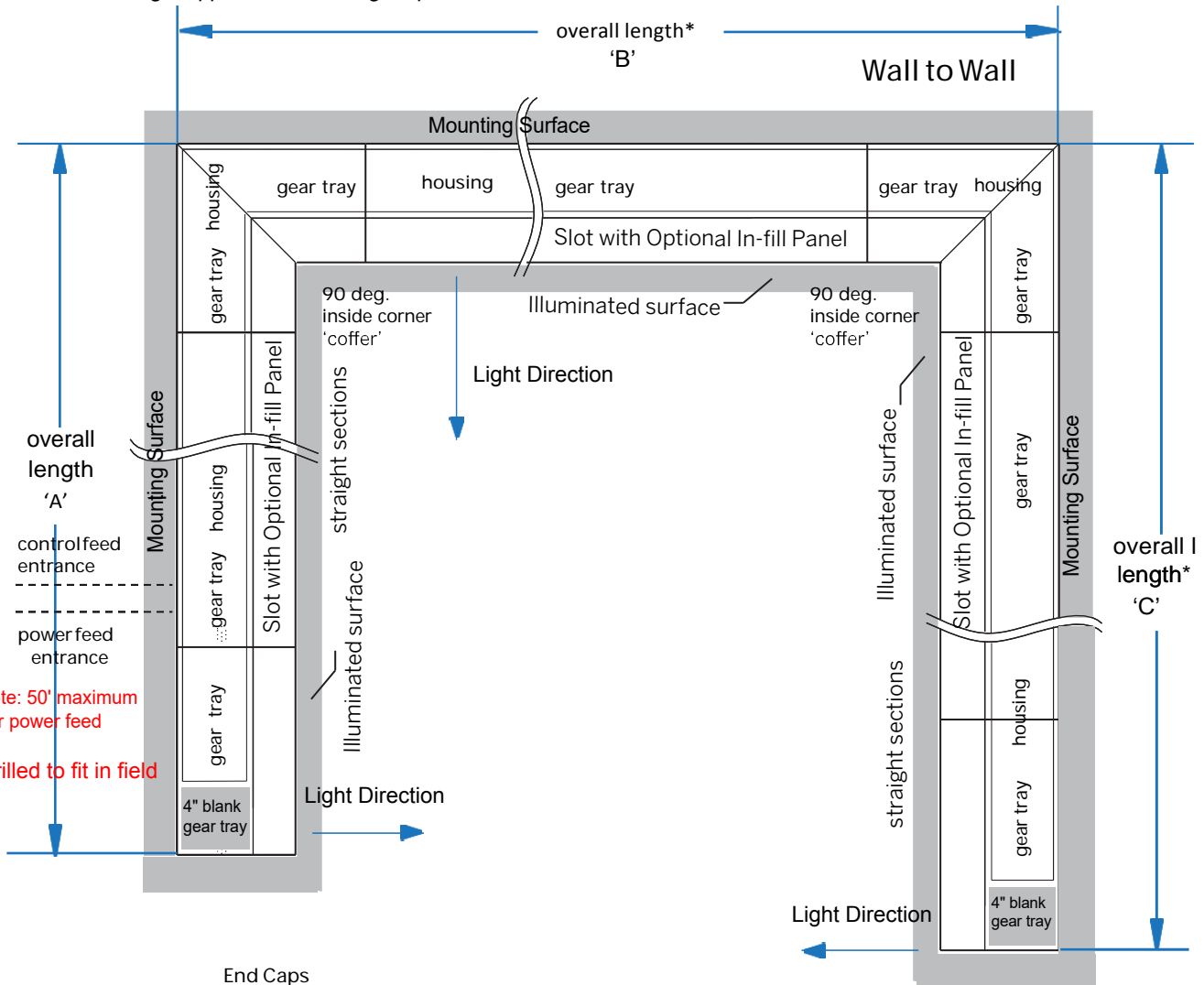
Company _____

Approved Signature _____

Approved with corrections noted Print Name _____

Revise and Resubmit Date _____

*overall length of finished mounting surface



Note: 50' maximum per power feed

Drilled to fit in field

4" blank gear tray will not be illuminated. Intended to reduce hot spot on adjacent wall.

