

CM2420-D – LINESSE™
3" Linear Surface Mount – Disinfecting White LED



Type: Project:

VisaLighting.com/products/Linesse

Fill in shaded boxes using information listed below

Order Code: **CM2420-D**

L40KD -

MODEL

A LENGTH

SOURCE

B VOLTAGE

C SOURCE OPTION

D DIMMING CONTROL

E FINISH

F OPTION(S)

G MOUNTING

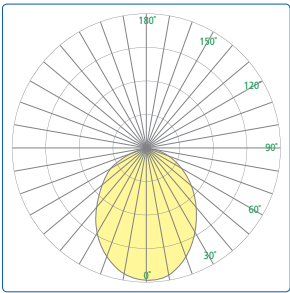
H CORNER TYPE



The 3" surface mounted slot light fixture provides a truly unique and sophisticated look for any project requiring an easy to install, upscale lighting system. It gives you a slim and sleek profile making it the perfect choice for hotel lobbies, offices, universities, retail spaces and more.



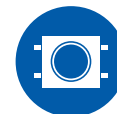
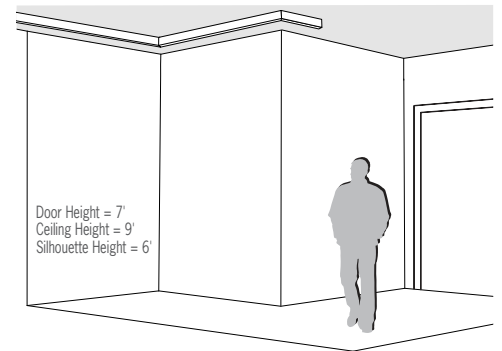
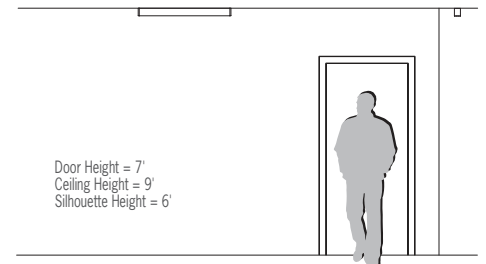
Photometrics



Technical Information

- Extruded aluminum housing; die cast end caps
- Extruded, snap-in diffuse acrylic lens
- Integral driver
- L40KD uses Vital Vio's White Light Disinfection® source technology to safely, continuously disinfect surfaces over time
- Maximum 7A per supply connection
- Room-side maintenance
- Wiring access available on top of housing
- Optional DALI and Lutron EcoSystem Hi-Lume 1% dimming
- Optional integral emergency driver
- Optional integral daylight, occupancy, or combined daylight+occupancy sensors
- No VOC powder coat paint
- UL listed for damp locations. Not suited for exterior applications

Relative Scale Drawing



LED



UL Listed



5 Year Warranty

CM2420-D – LINESSE

3" Linear Surface Mount – Disinfecting White LED



A NOMINAL LENGTH (Select one)

| Individual Fixtures (in inches) | |
|---------------------------------|----|
| 24 | 48 |
| 36 | 96 |

FOR CONTINUOUS RUNS OR CORNER CONFIGURATIONS:
 – Signed factory submittal drawings required for release to production

Individual units cannot be joined. Endcaps and power wire harnesses installed at factory

SOURCE and B VOLTAGE (Select one)

MVOLT fixture accepts 120 through 277 input voltage
 Dimmable 0-10V to 1%, typical 85CRI
 White Light Disinfection® powered by **vital vio**

| Source | CCT Range | Disinfection Delivered Lumens per Foot | Power (Watts) per Foot | Voltage |
|--------|-----------|--|------------------------|---------------|
| L40KD | 4000K | 600 | 18 | MVOLT or 347V |

C SOURCE OPTION

IEM Emergency driver & battery, provides 12W power to fixture/section for 90 minutes (available only on 4' lengths and longer). Through-wire harness for emergency circuit wiring is included for all fixtures in a continuous run between power input and a fixture equipped with IEM option

D DIMMING CONTROL COMPATIBILITY (Select one)

0-10V dimming is included unless another dimming protocol is selected
 ⚠ Option availability may be interdependent with Voltage, Source or Other Options

DALI DALI-compatible dimming to min 1% (can be wired for separate switching) (not available with DLT, IDO, IOS, or 347V)
LDE1 Lutron EcoSystem dimming control to 1% with soft-on and fade-to-black (can be wired for separate switching) (not available with DLT, IDO, IOS, or 347V)

E FINISH (Select one)

Powder Coat Painted Finishes (Standard)

| | | | | | | |
|-------------------------|---|-----------------------|---|-------------------|---|-------------------------|
| BLA Pure Black |  | BLA Pure Black |  | SIL Silver |  | WHI Signal White |
| SIL Silver | | | | | | |
| WHI Signal White | | | | | | |

F OPTIONS (Multiple Selections Allowed)

⚠ Option availability may be interdependent with Voltage, Source or Other Options
DLT Integral daylight sensor (not available with IDO, IOS, LDE1, or DALI options)
IDO Integral daylight & occupancy sensor (not available with DLT, IOS, LDE1, or DALI options)
IOS Integral occupancy sensor (not available with DLT, IDO, LDE1, or DALI options)

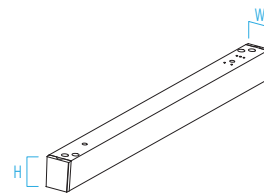
G MOUNTING KITS (Select ceiling type) (Optional)

Note: Hard ceiling mounting supplied by others

MK3S-916 2 clips for 9/16" tee grid
MK3S-1516 2 clips for 15/16" tee grid
MK3S-SLT 2 clips for 9/16" screw slot grid

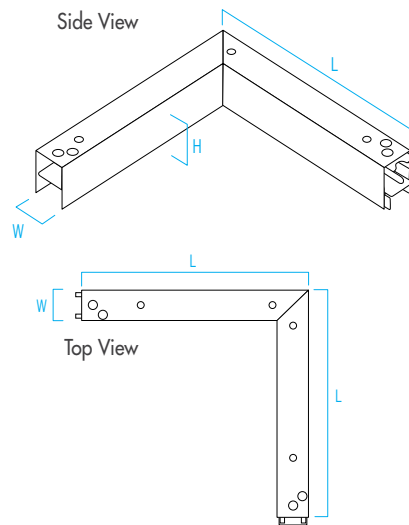
LINEAR DIMENSIONS

| W = Width | H = Height |
|-----------|-------------|
| W | 3" (76 mm) |
| H | 4" (102 mm) |



CORNER DIMENSIONS

| W = Width | H = Height |
|-----------|--------------|
| W | 3" (76 mm) |
| H | 4" (102 mm) |
| L | 23" (584 mm) |



H CORNER TYPE

HRZ90 Horizontal corner. No endcaps, daisy chain harnesses at both ends. Cannot be used without starter and ender fixtures