

CM2420-W – LINESSE™
3" Linear Surface Mount – White LED



Type: Project:

VisaLighting.com/products/Linesse

Fill in shaded boxes using information listed below

Order Code: **CM2420-W**

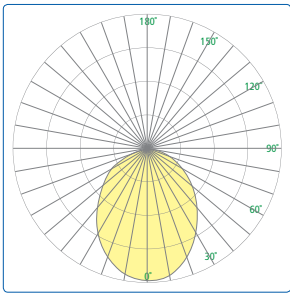
MODEL **A** LENGTH **B** SOURCE **C** VOLTAGE **D** SOURCE OPTION **E** DIMMING CONTROL **F** FINISH **G** OPTION(S) **H** MOUNTING **I** CORNER TYPE



The 3" surface mounted slot light fixture provides a truly unique and sophisticated look for any project requiring an easy to install, upscale lighting system. It gives you a slim and sleek profile making it the perfect choice for hotel lobbies, offices, universities, retail spaces and more.



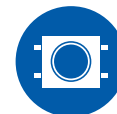
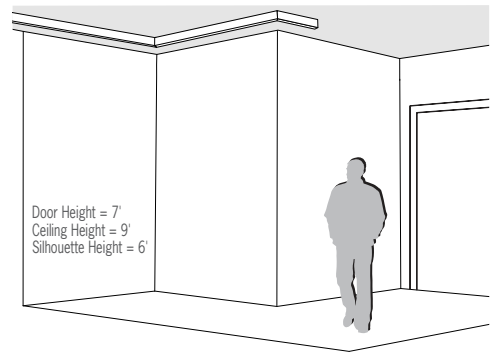
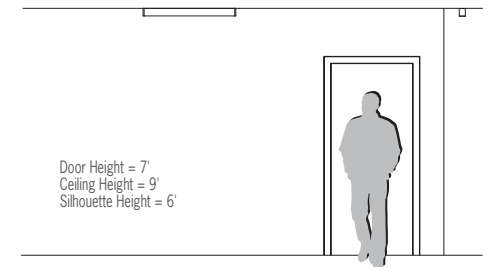
Photometrics



Technical Information

- Extruded aluminum housing; die cast end caps
- Extruded, snap-in diffuse acrylic lens
- Integral driver
- Multiple lumen output options
- Optional 90+ CRI
- Maximum 7A per supply connection
- Room-side maintenance
- Wiring access available on top of housing
- Optional DALI and Lutron EcoSystem Hi-Lume 1% dimming
- Optional integral emergency driver
- Optional integral daylight, occupancy, or combined daylight+occupancy sensors
- No VOC powder coat paint
- UL listed for damp locations. Not suited for exterior applications

Relative Scale Drawing



LED



UL Listed



5 Year Warranty

CM2420-W – LINESSE
3" Linear Surface Mount – White LED



A NOMINAL LENGTH (Select one)

Individual Fixtures (in inches)	
24	48
36	96

FOR CONTINUOUS RUNS OR CORNER CONFIGURATIONS:
– Signed factory submittal drawings required for release to production

Individual units cannot be joined. Endcaps and power wire harnesses installed at factory

B SOURCE (Select one) and C VOLTAGE (Select one)

MVOLT fixture accepts 120 through 277 input voltage
Dimmable 0-10V to 1%, minimum 80CRI, within 3-step MacAdam

LED Sources	CCT	Delivered Lumens per Foot	Power (Watts) per Foot	Voltage
L30K-L	3000K	600	5.6	MVOLT or 347V
L30K-H	3000K	900	8.7	
L30K-VH	3000K	1150	12.0	
L35K-L	3500K	625	5.6	
L35K-H	3500K	900	8.7	
L35K-VH	3500K	1175	12.0	
L40K-L	4000K	650	5.6	
L40K-H	4000K	950	8.7	
L40K-VH	4000K	1225	12.0	

D SOURCE OPTION (Select one)

Minimum 80CRI within 3-step MacAdam if CRI option is not selected

- 90CRI** Color rendering index minimum 90CRI; minimum R9 value of 50 (delivered lumens reduced by 15%)
- IEM** Emergency driver & battery, provides 12W power to fixture/section for 90 minutes (available only on 4' lengths and longer). Through-wire harness for emergency circuit wiring is included for all fixtures in a continuous run between power input and a fixture equipped with IEM option

E DIMMING CONTROL COMPATIBILITY (Select one)

0-10V dimming is included unless another dimming protocol is selected

⚠ Option availability may be interdependent with Voltage, Source or Other Options

- DALI** DALI-compatible dimming to min 1% (can be wired for separate switching) (not available with DLT, IDO, IOS, or 347V)
- LDE1** Lutron EcoSystem dimming control to 1% with soft-on and fade-to-black (can be wired for separate switching) (not available with DLT, IDO, IOS, or 347V)

F FINISH (Select one)

Powder Coat Painted Finishes (Standard)

- BLA** Pure Black
 - SIL** Silver
 - WHI** Signal White
-

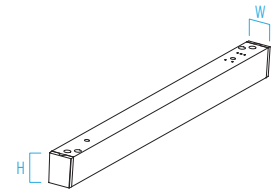
G OPTIONS (Multiple Selections Allowed)

⚠ Option availability may be interdependent with Voltage, Source or Other Options

- DLT** Integral daylight sensor (not available with IDO, IOS, LDE1, or DALI options)
- IDO** Integral daylight & occupancy sensor (not available with DLT, IOS, LDE1, or DALI options)
- IOS** Integral occupancy sensor (not available with DLT, IDO, LDE1, or DALI options)

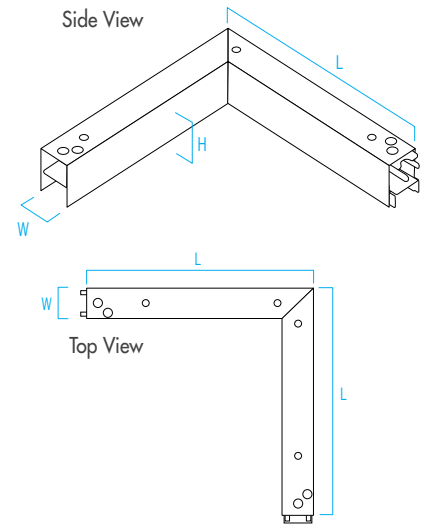
LINEAR DIMENSIONS

W = Width	H = Height
W	3" (76 mm)
H	4" (102 mm)



CORNER DIMENSIONS

W = Width	H = Height
W	3" (76 mm)
H	4" (102 mm)
L	23" (584 mm)



H MOUNTING KITS (Select ceiling type) (Optional)

Note: Hard ceiling mounting supplied by others

- MK3S-916** 2 clips for 9/16" tee grid
- MK3S-1516** 2 clips for 15/16" tee grid
- MK3S-SLT** 2 clips for 9/16" screw slot grid

I CORNER TYPE

- HRZ90** Horizontal corner. No endcaps, daisy chain harnesses at both ends. Cannot be used without starter and ender fixtures