

CP2410-D – LINESSE™
3" Direct Linear Pendant – Disinfecting White LED



Type: Project:

VisaLighting.com/products/Linesse

Fill in shaded boxes using information listed below

Order Code: **CP2410-D**

L40KD –

MODEL

A LENGTH

SOURCE

B VOLTAGE

C SOURCE OPTION

D DIMMING CONTROL

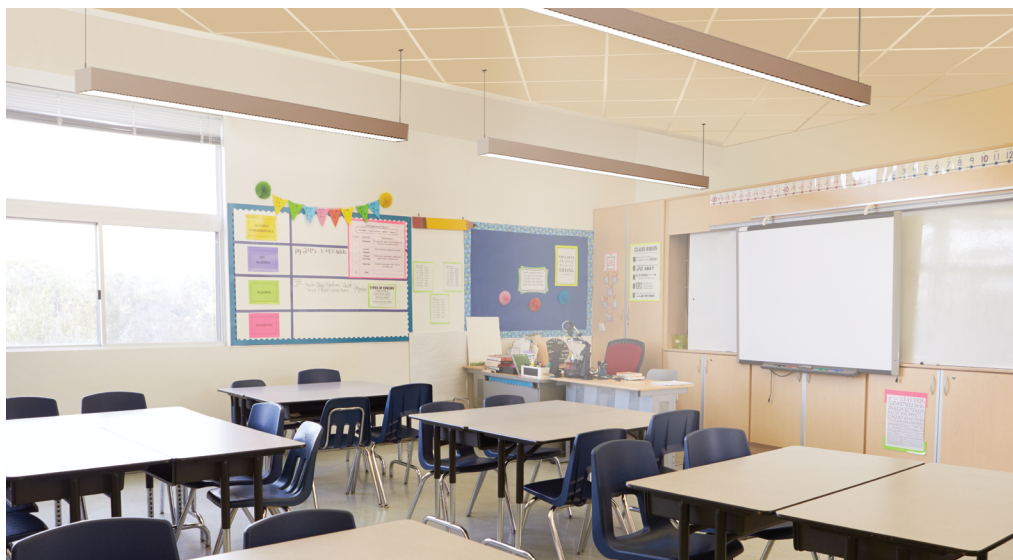
E FINISH

F OPTION(S)

G OAH

H MOUNTING

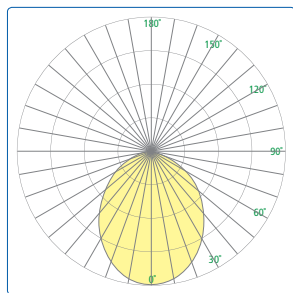
I CORNER TYPE



The 3" wide linear pendant provides a sophisticated look for any project requiring an easy to install, upscale lighting system. It gives you a slim and sleek profile making it the perfect choice for hotel lobbies, offices, universities, retail spaces and more.



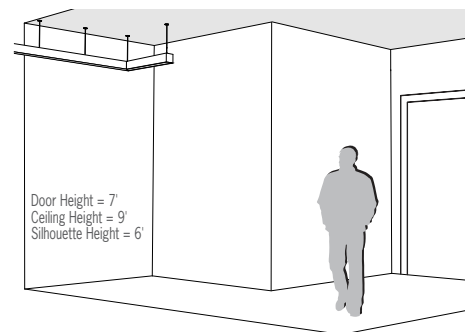
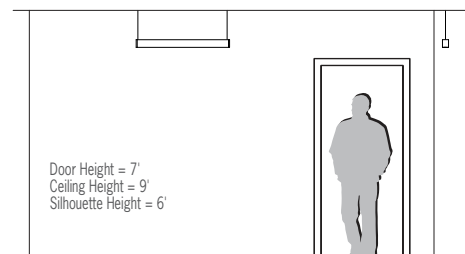
Photometrics



Technical Information

- Extruded aluminum housing; die cast end caps
- Extruded, snap-in diffuse acrylic lens
- Integral driver
- L40KD uses Vital Vio's White Light Disinfection® source technology to safely, continuously disinfect surfaces over time
- Maximum 7A per supply connection
- Room-side maintenance
- Wiring access available on top of housing
- Optional DALI and Lutron EcoSystem Hi-Lume 1% dimming
- Optional integral emergency driver
- Optional integral daylight, occupancy, or combined daylight+occupancy sensors
- No VOC powder coat paint
- UL listed for damp locations. Not suited for exterior applications

Relative Scale Drawings



LED



UL Listed



5 Year Warranty

CP2410-D – LINESSE
3" Direct Linear Pendant – Disinfecting White LED



A NOMINAL LENGTH (Select one)

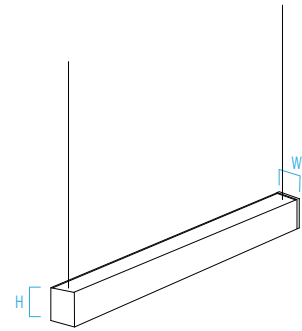
Individual Fixtures (in inches)	
24	48
36	96

FOR CONTINUOUS RUNS OR CORNER CONFIGURATIONS:
– Signed factory submittal drawings required for release to production

Individual units cannot be joined. Cords and endcaps installed at factory

LINEAR DIMENSIONS

W = Width	H = Height
W	3" (76 mm)
H	4" (102 mm)



SOURCE and B VOLTAGE (Select one)

MVOLT fixture accepts 120 through 277 input voltage
Dimmable 0-10V to 1%, typical 85CRI
White Light Disinfection® powered by **vital vio**

Source	CCT	Disinfection Delivered Lumens per Foot	Power (Watts) per Foot	Voltage
L40KD	4000K	600	18	MVOLT, 347V

C SOURCE OPTION

IEM Emergency driver & battery, provides 12W power to fixture/section for 90 minutes (available only on 4' lengths and longer). Through-wire harness for emergency circuit wiring is included for all fixtures in a continuous run between power input and a fixture equipped with IEM option

D DIMMING CONTROL COMPATIBILITY (Select one)

0-10V dimming is included unless another dimming protocol is selected

⚠ Option availability may be interdependent with Voltage, Source or Other Options

DALI DALI-compatible dimming to min 1% (can be wired for separate switching) (not available with DLT, IDO, IOS, or 347V)
LDE1 Lutron EcoSystem dimming control to 1% with soft-on and fade-to-black (can be wired for separate switching) (not available with DLT, IDO, IOS, or 347V)

E FINISH (Select one)

Powder Coat Painted Finishes (Standard)

BLA Pure Black		BLA Pure Black		SIL Silver		WHI Signal White
SIL Silver						
WHI Signal White						

F OPTIONS (Multiple Selections Allowed)

⚠ Option availability may be interdependent with Voltage, Source or Other Options

DLT Integral daylight sensor (not available with IDO, IOS, LDE1, or DALI options)
IDO Integral daylight & occupancy sensor (not available with DLT, IOS, LDE1, or DALI options)
IOS Integral occupancy sensor (not available with DLT, IDO, LDE1, or DALI options)

Options continued on Page 3

CP2410-D – LINESSE

3" Direct Linear Pendant – Disinfecting White LED



Options continued from page 2

G OAH (inches) (Select one)

30	(fully adjustable, max 24" cable length)
76	(fully adjustable, max 72" cable length)
150	(fully adjustable, max 144" cable length)

H MOUNTING KITS (Select ceiling type) (Optional)

MK3DP-916	2 clips for 9/16" tee grid
MK3DP-1516	2 clips for 15/16" tee grid
MK3DP-HC	Hard ceiling
MK3DP-SLT	2 clips for 9/16" screw slot grid

Note: Power feed end kits include aircraft cable and white power cord with 5" canopy (painted white), and cable support clips for T-bar mount or straps for J-box, and griplocks with threaded studs for cable connection

Note: Non-power support kits include aircraft cable support clips for T-bar and griplocks with threaded studs for cable connection or hard ceiling applications, attach threaded stud to ceiling (hardware by others); white painted 2" mini-canopy provided to cover ceiling attachment

I CORNER TYPE

HRZ90	Horizontal corner. No endcaps, daisy chain harnesses at both ends. Cannot be used without starter and ender fixtures
--------------	--

CORNER DIMENSIONS

W = Width	H = Height	
W	3"	(76 mm)
H	4"	(102 mm)
L	23"	(584 mm)

