

**CP2414-W – LINESSE™**  
3" Direct/Indirect Linear Pendant – White LED



Type: Project:

[VisaLighting.com/products/Linesse](http://VisaLighting.com/products/Linesse)

Fill in shaded boxes using information listed below

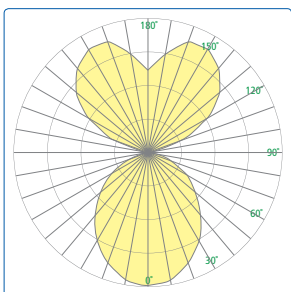
Order Code: **CP2414-W**

MODEL    **A** LENGTH    **B** UPLIGHT SOURCE    **C** DOWNLIGHT SOURCE    **D** VOLTAGE    **E** SOURCE OPTION    **F** DIMMING CONTROL    **G** FINISH    **H** OPTION(S)    **I** OAH    **J** MOUNTING



The 3" wide linear pendant provides a sophisticated look for any project requiring an easy to install, upscale lighting system. It gives you a slim and sleek profile making it the perfect choice for hotel lobbies, offices, universities, retail spaces and more.

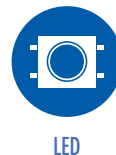
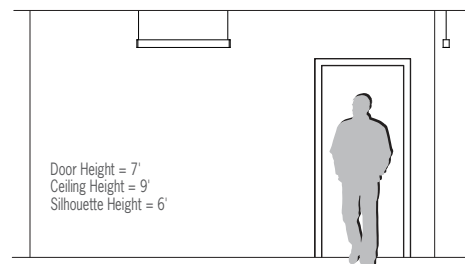
**Photometrics**



**Technical Information**

- Extruded aluminum housing; die cast end caps
- Extruded, snap-in diffuse acrylic lens
- Integral driver
- Multiple lumen output options
- Optional 90+ CRI
- Maximum 7A per supply connection
- Room-side maintenance
- Wiring access available on top of housing
- Optional DALI and Lutron EcoSystem Hi-Lume 1% dimming
- Optional integral emergency driver
- Optional integral daylight, occupancy, or combined daylight+occupancy sensors
- No VOC powder coat paint
- UL listed for damp locations. Not suited for exterior applications

**Relative Scale Drawing**



**CP2414-W – LINESSE**  
3" Direct/Indirect Linear Pendant – White LED



**A NOMINAL LENGTH (Select one)**

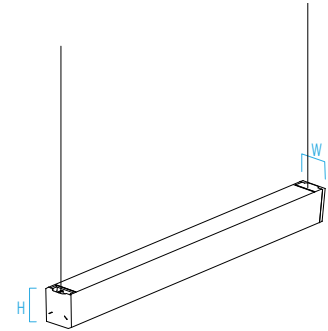
Individual Fixtures (in inches)	
24	48
36	96

FOR CONTINUOUS RUNS OR CORNER CONFIGURATIONS:  
– Signed factory submittal drawings required for release to production

Individual units cannot be joined. Cords and endcaps installed at factory

**DIMENSIONS**

W = Width	H = Height	
W	3"	(76 mm)
H	4"	(102 mm)



**B UPLIGHT SOURCE (Select one) C DOWNLIGHT SOURCE (Select one) D VOLTAGE (Select one)**

Select one source for uplight and one source for downlight from chart below  
MVOLT fixture accepts 120 through 277 input voltage  
Dimmable 0-10V to 1%, minimum 80CRI, within 3-step MacAdam

LED Sources	CCT	Delivered Lumens per Foot	Uplight Power (Watts) per Foot	Downlight Power (Watts) per Foot	Voltage
L30K-L	3000K	475	4.3	4.5	MVOLT or 347V
L30K-H	3000K	700	6.0	6.8	
L30K-VH	3000K	950	7.5	9.0	
L35K-L	3500K	475	4.3	4.5	
L35K-H	3500K	725	6.0	6.8	
L35K-VH	3500K	950	7.5	9.0	
L40K-L	4000K	500	4.3	4.5	
L40K-H	4000K	750	6.0	6.8	
L40K-VH	4000K	1000	7.5	9.0	

Uplight source and downlight source are separately switched

**E SOURCE OPTION (Select one)**

Minimum 80CRI within 3-step MacAdam if CRI option is not selected

- 90CRI** Color rendering index minimum 90CRI; minimum R9 value of 50 (delivered lumens reduced by 15%)
- IEM** Emergency driver & battery, provides 12W power to fixture/section for 90 minutes (available only on 4' lengths and longer). Through-wire harness for emergency circuit wiring is included for all fixtures in a continuous run between power input and a fixture equipped with IEM option

**F DIMMING CONTROL COMPATIBILITY (Select one)**

0-10V dimming is included unless another dimming protocol is selected

⚠ Option availability may be interdependent with Voltage, Source or Other Options

- DALI** DALI-compatible dimming to min 1% (can be wired for separate switching) (not available with DLT, IDO, IOS, or 347V)
- LDE1** Lutron EcoSystem dimming control to 1% with soft-on and fade-to-black (can be wired for separate switching) (not available with DLT, IDO, IOS, or 347V)

**G FINISH (Select one)**

Powder Coat Painted Finishes (Standard)

- BLA** Pure Black
- SIL** Silver
- WHI** Signal White



**BLA**  
Pure Black



**SIL**  
Silver



**WHI**  
Signal White

**H OPTIONS (Multiple Selections Allowed)**

⚠ Option availability may be interdependent with Voltage, Source or Other Options

- DLT** Integral daylight sensor (not available with IDO, IOS, LDE1, or DALI options)
- IDO** Integral daylight & occupancy sensor (not available with DLT, IOS, LDE1, or DALI options)
- IOS** Integral occupancy sensor (not available with DLT, IDO, LDE1, or DALI options)

**I OAH (inches) (Select one)**

- 30** (fully adjustable, max 24" cable length)
- 76** (fully adjustable, max 72" cable length)
- 150** (fully adjustable, max 144" cable length)

**J MOUNTING KITS (Select ceiling type) (Optional)**

- MK3DIP-916** 2 clips for 9/16" tee grid
- MK3DIP-1516** 2 clips for 15/16" tee grid
- MK3DIP-HC** Hard ceiling
- MK3DIP-SLT** 2 clips for 9/16" screw slot grid

**Note:** Power feed end kits include aircraft cable and white power cord with 5" canopy (painted white), and cable support clips for T-bar mount or straps for J-box, and griplocks with threaded studs for cable connection

**Note:** Non-power support kits include aircraft cable support clips for T-bar and griplocks with threaded studs for cable connection or hard ceiling applications, attach threaded stud to ceiling (hardware by others); white painted 2" mini-canopy provided to cover ceiling attachment