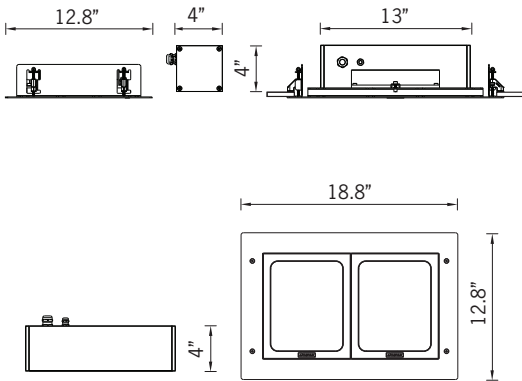




52w - 6968lm | 75w - 9770lm | 106w - 13198lm
IP66 • Suitable For Wet Locations
IK07 • Impact Resistant (Vandal Resistant)
Weight 19.8 lbs



Construction

Aluminum

Less than 0.1% copper content – Marine Grade 6060 extruded & LM6 Aluminum High Pressure die casting provides excellent mechanical strength, clean detailed product lines and excellent heat dissipation.

Pre paint

8 step degrease and phosphate process that includes deoxidizing and etching as well as a zinc and nickel phosphate process before product painting.

Memory Retentive -Silicon Gasket

Provided with special injection molded “fit for purpose” long life high temperature memory retentive silicon gaskets. Maintains the gaskets exact profile and seal over years of use and compression.

Thermal management

LM6 Aluminum is used for its excellent mechanical strength and thermal dissipation properties in low and high ambient temperatures. The superior thermal heat sink design by Ligman used in conjunction with the driver, controls thermals below critical temperature range to ensure maximum luminous flux output, as well as providing long LED service life and ensuring less than 10% lumen depreciation at 50,000 hours.

Surge Suppression

Standard 10kv surge suppressor provided with all fixtures.

BUG Rating

B1 - U0 - G1

Finishing

All Ligman products go through an extensive finishing process that includes fettling to improve paint adherence.

Paint

UV Stabilized 4.9Mil thick powder coat paint and baked at 200 Deg C. This process ensures that Ligman products can withstand harsh environments. Rated for use in natatoriums.

Hardware

Provided Hardware is Marine grade 316 Stainless steel.

Anti Seize Screw Holes

Tapped holes are infused with a special anti seize compound designed to prevent seizure of threaded connections, due to electrolysis from heat, corrosive atmospheres and moisture.

Crystal Clear Low Iron Glass Lens

Provided with tempered, impact resistant crystal clear low iron glass ensuring no green glass tinge.

Optics & LED

Precise optic design provides exceptional light control and precise distribution of light. LED CRI > 80

Lumen - Maintenance Life

L80 /B10 at 50,000 hours (This means that at least 90% of the LED still achieve 80% of their original flux)

Modular area-lighting ceiling-recessed fixture family. Technical, powerful and flexible high-bay lighting delivery instruments designed and built to tackle all environments.

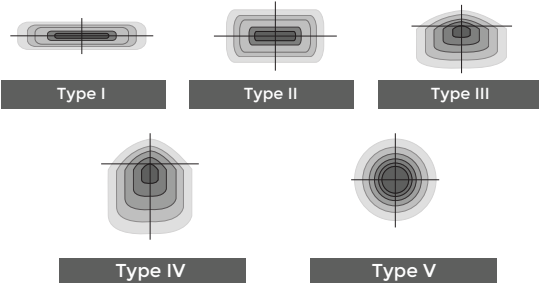
Engineered from the base up with environmental consciousness and energy efficiency in mind, LIGMAN's PowerVision series, developed specifically to fulfill the demanding conditions of industry, warehouse, manufacturing and production hall applications. Industry leading optical technology that minimizes light pollution and optimizes light distribution ensures that only the targeted areas are illuminated.

Color temperature 2700K, 3000K, 3500K and 4000K, LED CRI >80 and life time 50,000 Hours. A high quality aluminum extrusion not only houses the control gear and the light modules but it also acts as the primary thermal management device, eliminating the need for additional and sometimes bulky heat sinks while improving the overall performance and extending the life span of the LEDs.

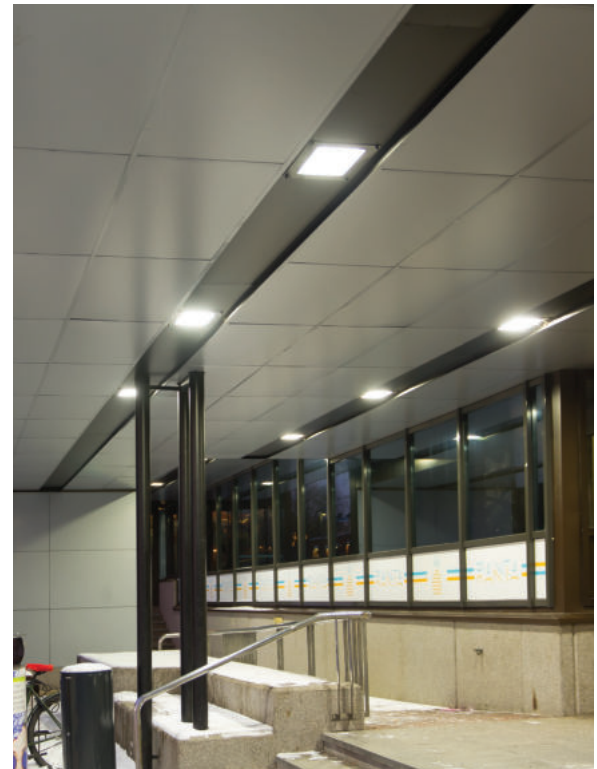
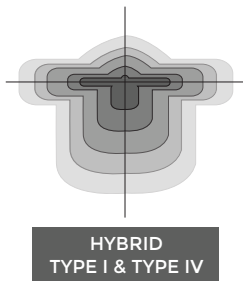
Marine grade 316 stainless steel fasteners. Durable memory retentive silicone rubber gasket and impact resistant tempered glass diffuser. The luminaire is treated with a nickel and zinc phosphate chemical chromatised protection before powder coating, ensuring high corrosion resistance.



Ligman's micro Variable Optical System provides the ability to interchange, mix & rotate optics to provide specific light distributions for optimized spacing and uniformity.



The variable optic system allows for the designer to create hybrid distributions for precise lighting requirements.



PW69

PowerVision 6 Lowbay



PROJECT		DATE	
----------------	--	-------------	--

QUANTITY		TYPE		NOTE	
-----------------	--	-------------	--	-------------	--

ORDERING EXAMPLE || PW69 - GP054 - M - W30 - 02 - 120/277v - Options

PW69					
LAMP	BEAM	LED COLOR	FINISH COLOR	VOLTAGE	
GP054 - 52w LED 6968 Lumens GP080 - 75w LED 9770 Lumens GP108 - 106w LED 13198 Lumens	M - Medium 27° W - Wide 51° VW - Very Wide 63° EW - Extra Wide 122° T2 - Type II Distribution T3 - Type III Distribution T4 - Type IV Distribution	W27 - 2700K W30 - 3000K W35 - 3500K W40 - 4000K	01 - BLACK RAL 9011 02 - DARK GREY RAL 7043 03 - WHITE RAL 9003 04 - METALLIC SILVER RAL 9006 05 - MATTE SILVER RAL 9006 06 - LIGMAN BRONZE 07 - CUSTOM RAL	120/277v Other - Specify	



--	--	--

ADDITIONAL OPTIONS

- NAT - Natatorium Rated
- DIM - 0-10v Dimming
- F - Frosted Lens
- AMB - Turtle Friendly Amber LED



PowerVision Product Family



PowerVision 1

- PW19-GP028-27w-3523lm
- PW19-GP042-38w-4941lm
- PW19-GP056-54w-6655lm



PowerVision 2

- PW29-GP054-52w-7046lm
- PW29-GP080-75w-9882lm
- PW29-GP108-106w-13310lm



PowerVision 3

- PW39-GP084-78w-10569lm
- PW39-GP124-114w-14823lm
- PW39-GP164-159w-19965lm



PowerVision 4

- PW49-GP106-104w-14092lm
- PW49-GP153-150w-19764lm
- PW49-GP214-210w-26620lm



PowerVision 5

- PW59-GP028-27w-3523lm
- PW59-GP042-38w-4941lm
- PW59-GP056-54w-6655lm



PowerVision 6

- PW69-GP054-52w-7046lm
- PW69-GP080-75w-9882lm
- PW69-GP108-106w-13310lm