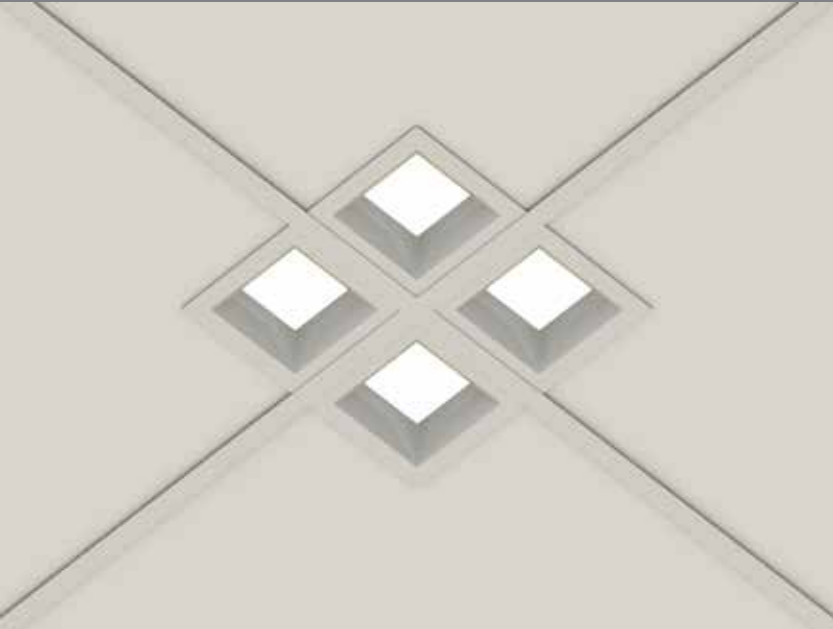


# QUAD TBar



Project: \_\_\_\_\_

\_\_\_\_\_

Type: \_\_\_\_\_

\_\_\_\_\_

Notes: \_\_\_\_\_

\_\_\_\_\_

The **QUAD** Luminaire features a Patent-Pending mounting system over the intersection of the ceiling grid. The Quad is a modular Downlight fixture that allows for different configurations based on optical and aesthetic requirements.

Shown: QuadT1-FSQ-AR-BR-CR-DR-...



Patent Pending  
5 Year Warranty

**Important Ordering Notes:**  
For Armstrong Custom Tile Program - please see page 6 and coordinate with EC/GC



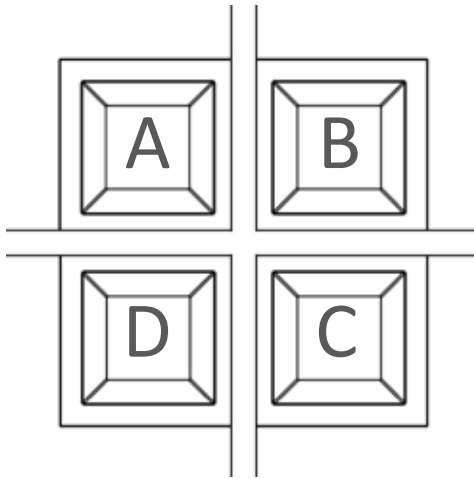
## Ordering Guide

QuadT1							
ARON ID	GRID TYPE/SHAPE	QUADRANT A	QUADRANT B	QUADRANT C	QUADRANT D	LUMENS PER QUADRANT	
QuadT1 QUAD TBar	FSQ Flat Grid Square Quadrants	AR Regressed Lens	BR Regressed Lens	CR Regressed Lens	DR Regressed Lens	125	125 Lumens per Quadrant
		ASL Spotlight	BSL Spotlight	CSL Spotlight	DSL Spotlight	250	250 Lumens per Quadrant
	SSSQ Screw Slot Grid Square Quadrants	ASPK Speaker	BSPK Speaker	CSPK Speaker	DSPK Speaker	400	400 Lumens per Quadrant
		AX No Quadrant	BX No Quadrant	CX No Quadrant	DX No Quadrant	500	500 Lumens per Quadrant
						750	750 Lumens per Quadrant

\*\*For Spotlight Ordering Guide, please see page 7-8    \*\*For Speaker Ordering Guide, please see page 9-10

BEAM		COLOR / CRI		UNV		DM		FINISH		OPTIONS	
				VOLTAGE		DRIVER					
B1	Narrow	30K8	3000K - 80CRI	UNV	120 - 277V	DM	Factory 0-10V Dim 1%	W	White	E5W	5W EM Battery
B2	Medium	35K8	3500K - 80CRI					C	Custom Color	E10W	10W EM Battery
B3	Wide	40K8	4000K - 80CRI							CP	Chicago Plenum
B4	Asymmetric	30K9	3000K - 90CRI								
		35K9	3500K - 90CRI								
		40K9	4000K - 90CRI								

## Ordering Instructions

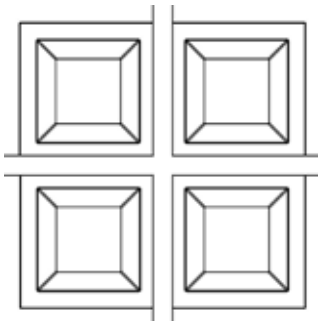


- Match labeled quadrant with corresponding column on ordering guide.
- Notate "R" to use quadrant with regressed lens.
- Notate "X" to omit quadrant from fixture.

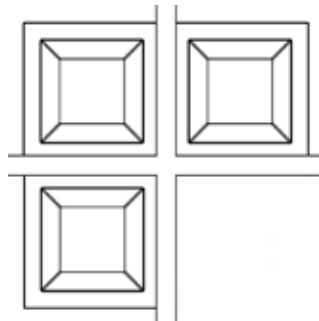
**Notes:**

- Coordinate lighting fixture install with ceiling contractor
- Contact your local Armstrong representative for Made-To-Order ceiling tiles. (See page 6)

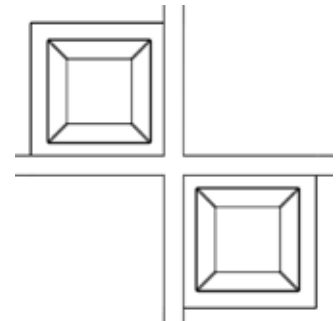
## Sample Configurations



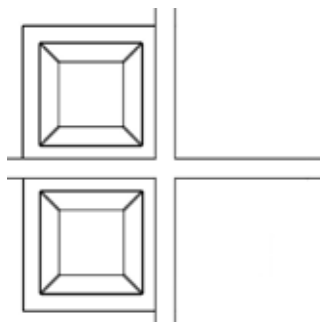
QuadT1-FSQ-AR-BR-CR-DR



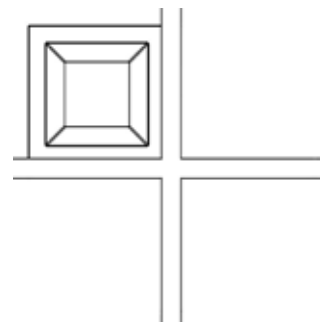
QuadT1-FSQ-AR-BR-CX-DR



QuadT1-FSQ-AR-BX-CR-DX



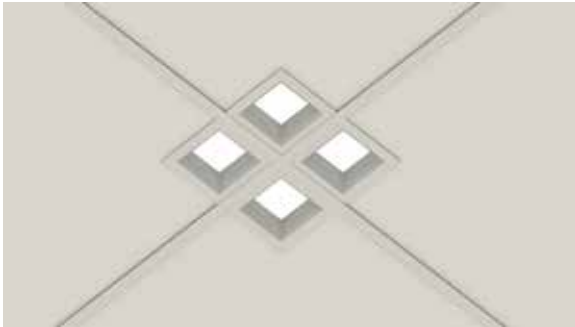
QuadT1-FSQ-AR-BX-CX-DR



QuadT1-FSQ-AR-BX-CX-DX

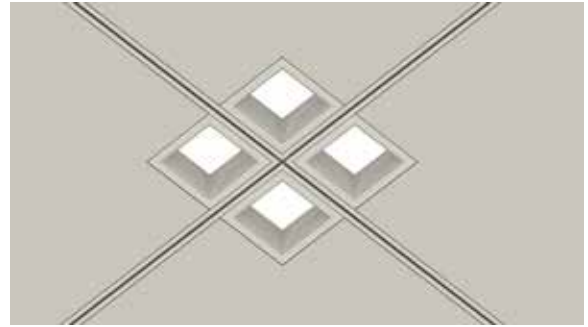
## Housing Types

### Flat Housing



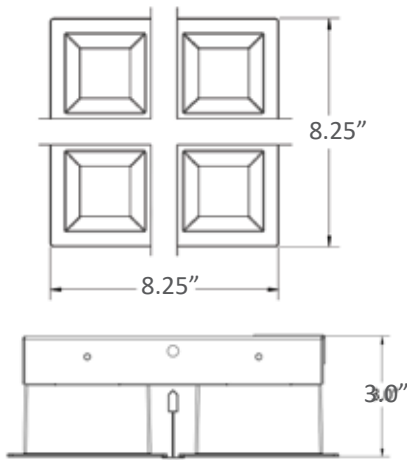
- Notate "FSQ" in Ordering Guide
- Designed for Flat 9/16" & 15/16" Grids

### Screw Slot Housing

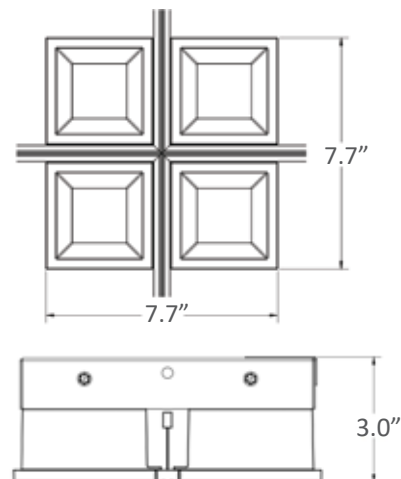


- Notate "SSSQ" in Ordering Guide
- Designed for Dimensional 9/16" Grids

## Dimensions



Flat Housing



Screw Slot Housing

### Construction

- Cast Aluminum housing
- Powder coated paint
- Galvanized sheet metal components
- Mate with Flat 15/16", 9/16" and Dimensional 9/16" TBars

### Optical

- Symmetric and asymmetric distributions
- Coated Acrylic light guide
- Coated Acrylic diffuser
- Minimum 80 or 90 CRI
- 3000K, 3500K, 4000K
- ≤ 3 SDCM

### Electrical

- Integral high efficiency driver
- 0-10V dimming (1%) standard
- Class 2
- Optional remote battery pack

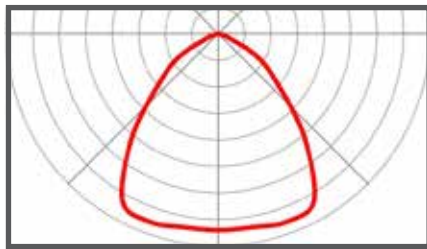
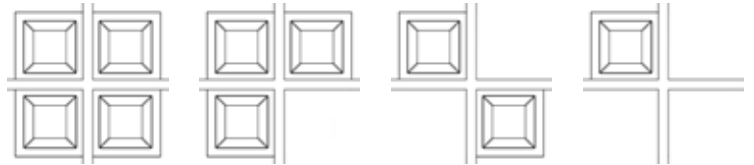
### Weight

- 4Q = 10 lbs
- 3Q = 8.5 lbs
- 2Q = 7.0 lbs
- 1Q = 5.5 lbs

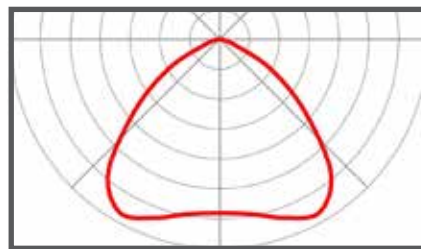
## Beam Options

\*Contact factory for custom configurations\*

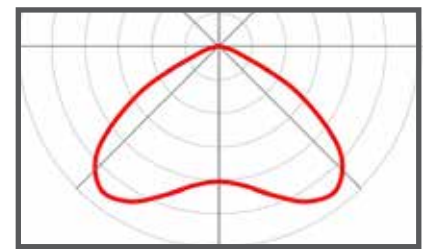
### 4, 3, 2D, 1 Quadrant Configurations



B1 - Narrow

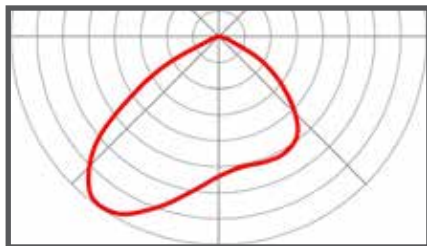
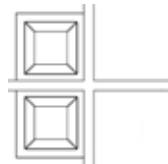


B2 - Medium



B3- Wide

### 2 Quadrant Parallel



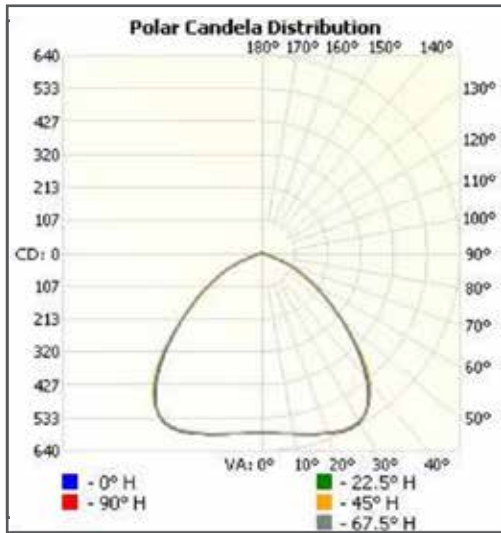
B4- Asymmetric

## Fixture Wattages

Lumens/Quadrant	Watts/Quadrant
125	1.53
250	3.0
500	6.0
750	9.0

Lumens/Fixture	Watts/Fixture
750	9.0
1000	12.0
1500	18.1
2000	24.1
2500	30.1
3000	35.8

## Model Tested: QuadT1-FSQ-AR-BR-CR-DR-400-B2-35K8-UNV-DM-W

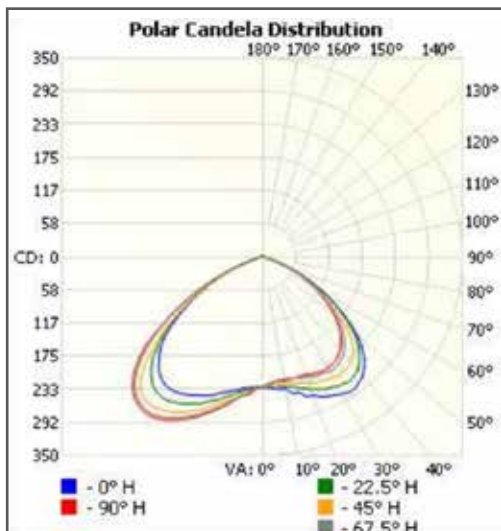


**Configuration:** 4 Quadrant  
**Lumens/Quadrant:** 403  
**Total Lumens:** 1613  
**Input Watts:** 19.77 W  
**Efficacy:** 81.6 lm/W

Vertical Angle	Horizontal Angles				
	0	22.5	45	67.5	90
0	582	582	582	582	582
5	585	585	585	584	585
10	594	593	593	592	593
15	606	606	604	604	606
20	620	620	618	619	621
25	633	632	629	631	633
30	631	629	628	629	632
35	598	598	602	600	599
40	526	530	543	532	528
45	433	437	451	441	437
50	337	340	340	344	340
55	250	256	249	259	253
60	180	189	177	187	182
65	122	124	121	127	122
70	59	67	70	69	60
75	21	22	27	22	21
80	11	11	11	11	11
85	3	3	3	3	3
90	0	0	0	0	0

Zonal Lumens		
Zone	Lumens	% Luminaire
0-10	56.1	3.5
10-20	172.0	10.7
20-30	291.1	18.0
30-40	370.9	23.0
40-50	338.0	20.9
50-60	229.2	14.2
60-70	122.3	7.6
70-80	29.9	1.9
80-90	4.4	0.3

## Model Tested: QuadT1-FSQ-AR-BX-CX-DR-400-B4-35K8-UNV-DM-W



**Configuration:** 2 Quadrant Parallel  
**Lumens/Quadrant:** 422  
**Total Lumens:** 845  
**Input Watts:** 9.76 W  
**Efficacy:** 86.6 lm/W

Vertical Angle	Horizontal Angles				
	0	22.5	45	67.5	90
0	229	229	229	229	229
5	232	225	227	223	221
10	236	233	226	223	219
15	247	239	229	221	220
20	260	248	237	225	221
25	271	257	241	230	226
30	279	264	244	234	227
35	283	267	244	231	223
40	273	260	241	221	212
45	253	240	225	202	194
50	218	210	190	174	168
55	170	166	146	140	134
60	122	120	105	104	100
65	76	76	68	68	67
70	33	38	38	37	34
75	13	13	16	14	14
80	7	7	7	8	8
85	2	2	2	3	3
90	0	0	0	0	0

Zonal Lumens		
Zone	Lumens	% Luminaire
0-10	22.3	2.6
10-20	70.5	8.3
20-30	125.3	14.8
30-40	177.5	21
40-50	197.1	23.3
50-60	155.2	18.4
60-70	77.3	9.1
70-80	17.2	2
80-90	2.9	0.3

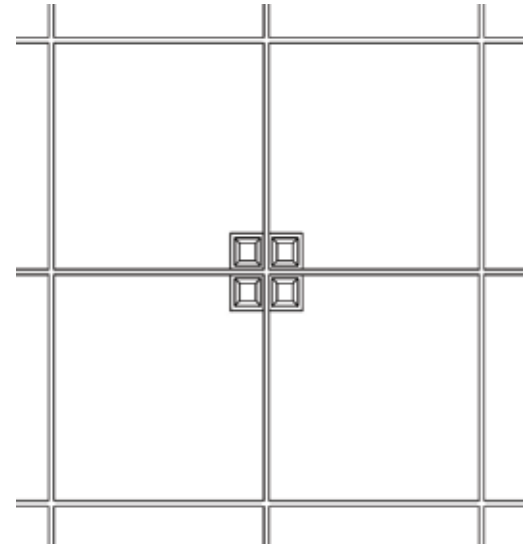
## Made-To-Order Tile Guide

Pre-cut tiles made-to-order through your Armstrong rep

Coordinate with EC and GC for ordering tiles

### 24"x24" Quad Notched Tiles

Armstrong Tile Style	Tile Lay	Armstrong Tile Number	ARON Fixture	ARON Precut Tile Number
Ultima/ Ultima High NRC	Square	1940	QUAD Square	1940-QSQ
Ultima/ Ultima High NRC	Tegular	1941	QUAD Square	1941-QSQ
Lyra PB	Square	8372PB	QUAD Square	8372PB-QSQ
Optima PB	Tegular	3354	QUAD Square	3354-QSQ
Optima PB	Square	3352	QUAD Square	3352-QSQ
Cala	Tegular	2824	QUAD Square	2824-QSQ

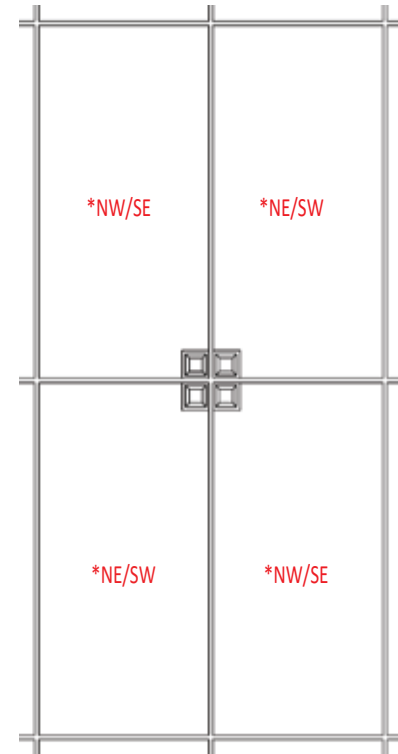


\*Below ceiling view

GC to Coordinate with EC and Armstrong Rep for ordering with ARON tile codes  
Save on Install Time and Hastle - for any questions please contact [rob.aronchick@aronlighting.com](mailto:rob.aronchick@aronlighting.com)

### 24"x48" Quad Notched Tiles

Armstrong Tile Style	Tile Lay	Armstrong Tile Number	ARON Fixture	Con figuration	ARON Precut Tile Number
Ultima/ Ultima High NRC	Square	1943	QUAD Square	NE/SW	1943-QSQ-NESW
Ultima/ Ultima High NRC	Tegular	1944	QUAD Square	NE/SW	1944-QSQ-NESW
Ultima/ Ultima High NRC	Square	1943	QUAD Square	NW/SE	1943-QSQ-NWSE
Ultima/ Ultima High NRC	Tegular	1944	QUAD Square	NW/SE	1944-QSQ-NWSE
Lyra PB	Square	8373PB	QUAD Square	NE/SW	8373PB-QSQ-NESW
Lyra PB	Tegular	8373PB	QUAD Square	NW/SE	8363PB-QSQ-NWSE
Optima PB	Square	3353	QUAD Square	NE/SW	3353-QSQ-NESW
Optima PB	Tegular	3252	QUAD Square	NE/SW	3252-QSQ-NESW
Optima PB	Square	3353	QUAD Square	NW/SE	3353-QSQ-NWSE
Optima PB	Tegular	3252	QUAD Square	NW/SE	3252-QSQ-NWSE
Calla	Tegular	2825	QUAD Square	NE/SW	2825-QSQ-NESW
Calla	Tegular	2825	QUAD Square	NW/SE	2825-QSQ-NWSE

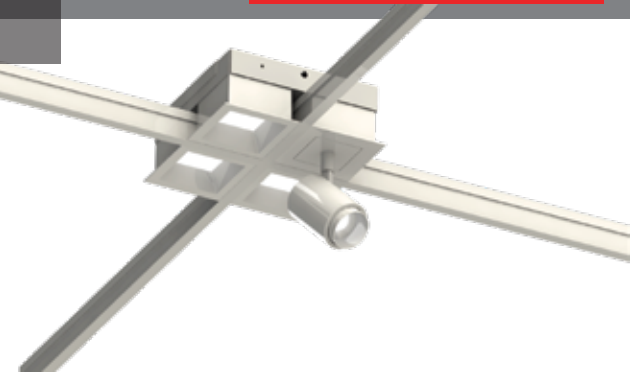


\*Below ceiling view

GC to Coordinate with EC and Armstrong Rep for ordering with ARON tile codes  
Save on Install Time and Hastle - for any questions please contact [rob.aronchick@aronlighting.com](mailto:rob.aronchick@aronlighting.com)



## Spotlight Ordering Guide



PRODUCT ID		CCT		LUMENS		FINISH		DIMMING	
Spotlight - Field Adj	SP01	27K9	2700K - 90CRI	1000	lumens	W	White	STD	No Dim
		30K9	3000K - 90CRI	1500	lumens (12W)	BLK	Black	DM	0-10V Dimming
		35K9	3500K - 90CRI	2000	lumens	SLV	Silver		
		40K9	4000K - 90CRI						

### General / Dimensions:

Light Output: 1000lm, 1500lm, 2000lm

Material: Die Cast aluminum Casing, Powder Coat Finish

Aiming: 350° Horizontal Coverage and 90° Vertical Rotation

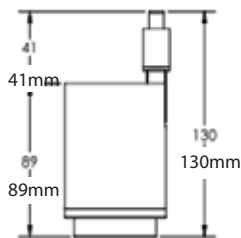
Integral Driver

Applications: Retail, Corridor, Accent Lighting, Restaurants, Commercial

Limited Warranty: 5 years

LED Type: CREE CMA 1300 lm Chip

Dimensions:



### Description

The QUAD Tbar Spotlight offers a unique solution to grid mounted accent lighting. Easily mount the fixture with or without other downlight quadrants at the intersection of any TBar grid system. There are multiple configurations available, with the ability to have 4 spotlights in 1 fixture.

Our spotlight solution offers a field adjustable beam angle, 14-50°, with high CRI. Available in 2700K-4000K. Obtain the perfect aim illumination angle for any solution with full horizontal rotation and up to 90° verticle adjustability.

No more track needed - just drop the fixture on the TBar.

### Example Product Codes:



Page 1 QUAD Fixture Product Code:

QUADT1-FSQ-AR-BR-CSL-DSL-500-B2-35K8-UNV-DM-W

Page 7 Spotlight Product Code:

(qty:2) SP01-35K9-1500-W-ND



Page 1 QUAD Fixture Product Code:

QUADT1-FSQ-ASL-BX-CX-DX-500-B2-35K8-UNV-DM-W

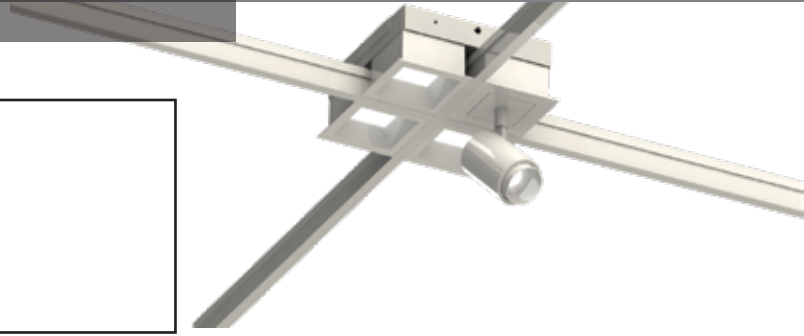
Page 7 Spotlight Product Code:

(qty:1) SP01-40K90-1500-W-ND

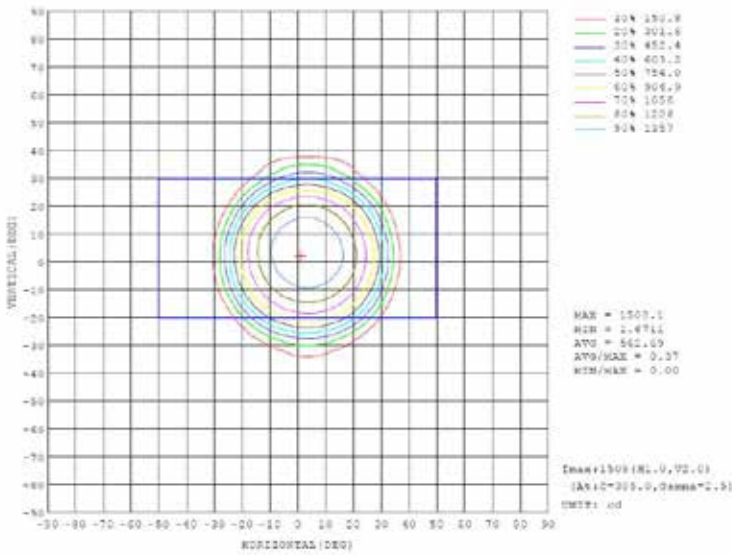
## Spotlight Ordering Guide

### Photometric and Performance Data

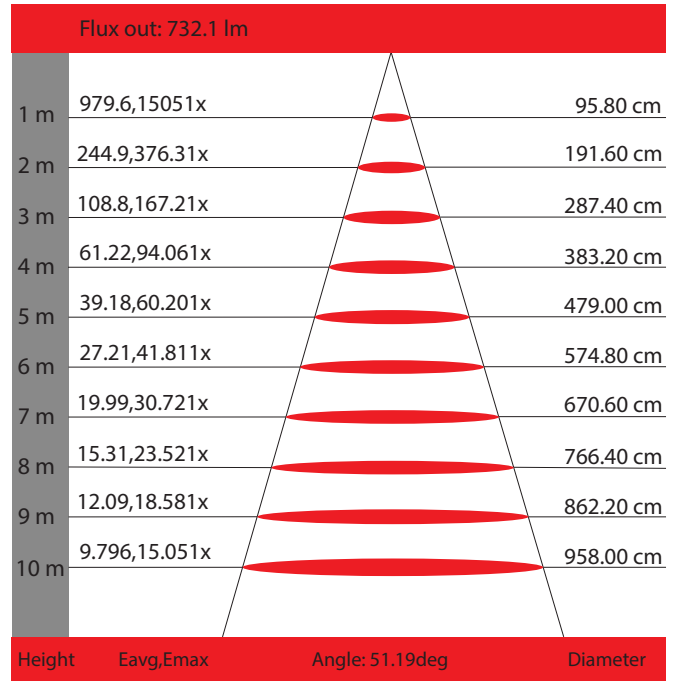
Input Voltage: 220  
 Wattage: 15W  
 Efficiency: 64.14 lm/W  
 Current: 710mA



### Polar Candela Distribution



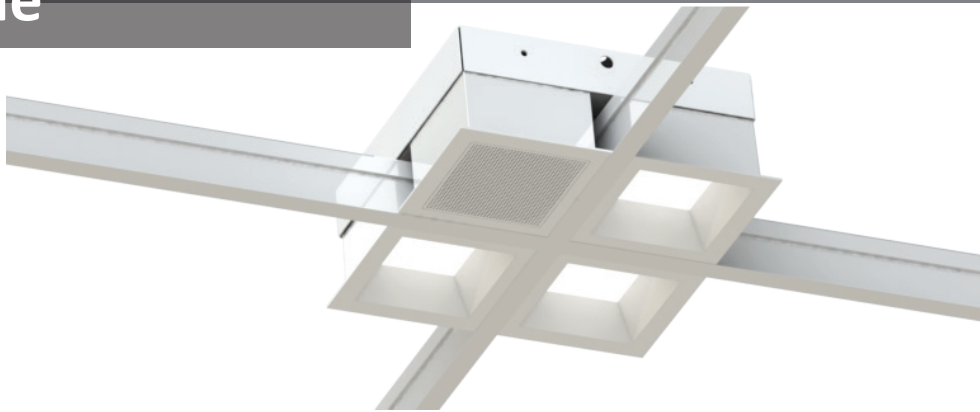
### Illuminance Cone Distribution





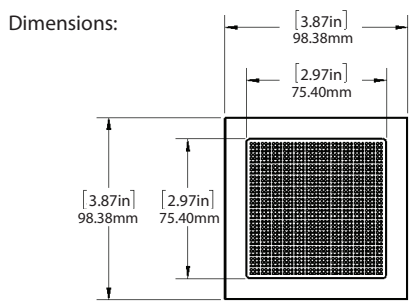
## Speaker Ordering Guide

Speaker Addons	
ARON PO ID	
Sub:	SB-01
Receiver:	RE-01
Mixer:	MIX-01



### General / Dimensions:

- Broad Coverage Pattern: 160°
- Material: Die Cast aluminum Casing, Powder Coat Finish
- Driver: 60 mm (2.5 in) mid/high driver with butyl rubber surround  
16-ohm allows for parallelling of multiple units on a low-Z amplifier
- Applications: Retail, Corridor, Restaurants, Commercial
- Grill: Many options in color and dimension for a reveal or flush aesthetic
- Sub: Designed to be paired with 40CS/T subwoofer-satellite system



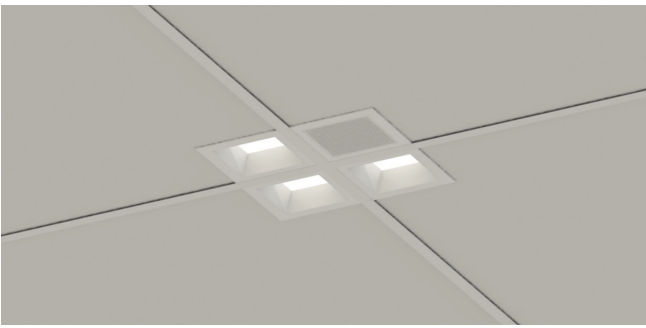
### Description

The QUAD Tbar Speaker offers a unique solution to grid mounted sound solutions. Easily mount the speaker with or without other downlight quadrants at the intersection of any TBar grid system. There are multiple configurations available, recommended to have one speaker in one fixture..

No more need for cluttered ceilings at the center of the tile - just drop the fixture and speaker on the TBar. Only a single dropdown required for these various technologies!

Our speaker partner, JBL, is well renowned within the sound industry. This integrated partnership pairs great light quality with equally competitive sound quality in quite a small form factor.

### Example Product Codes:



Page 1 QUAD Fixutre Product Code:

QUADT1-FSQ-ASPK-BR-CR-DR-500-B2-35K8-UNV-DM-W

Page 1 QUAD Fixutre Product Code:

QUADT1-FSQ-ASPK-BX-CX-DX-500-B2-35K8-UNV-DM-W

**\*Subwoofer, Receiver, and Mixer Available**

## Speaker Ordering Guide

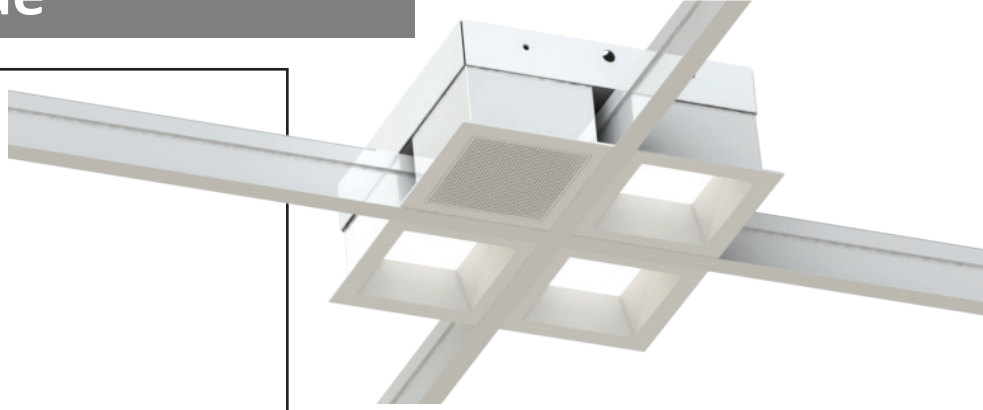
### Specifications and Performance Data

#### System:

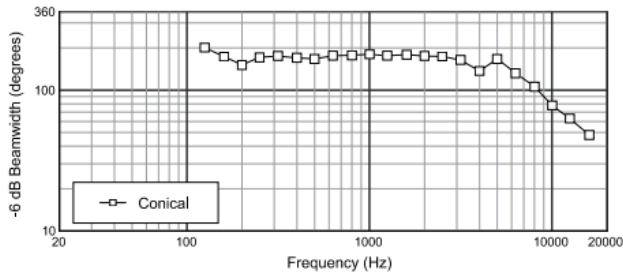
- Frequency Range (-10 dB): 140 Hz - 20 kHz
- Frequency Response ( $\pm 3$  dB): 180 Hz - 17 kHz 1m/W
- Power Capacity: 30W Continuous Program Power  
15W Continuous Pink Noise
- Nominal Sensitivity (2.83V/1m): 82 dB
- Nominal Coverage Angle: 160° conical coverage
- Directivity Factor (Q): 6.6
- Directivity Index (DI): 6.8 dB
- Rated Maximum SPL: 94 dB @ 1m (3.3 ft) average, 114 dB peak
- Rated Impedance: 16 ohms

#### Transducer

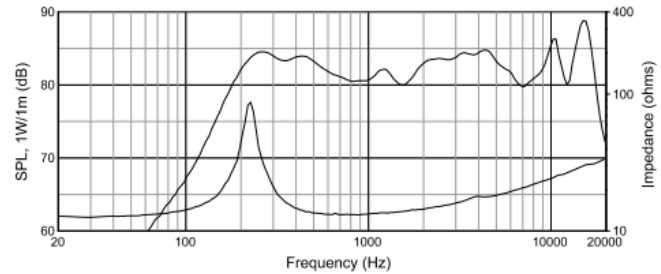
Driver: 60 mm (2.5 in) with polypropylene cone, butyl rubber surround, copper-clad coil, vented aluminum former



### Beamwidth:

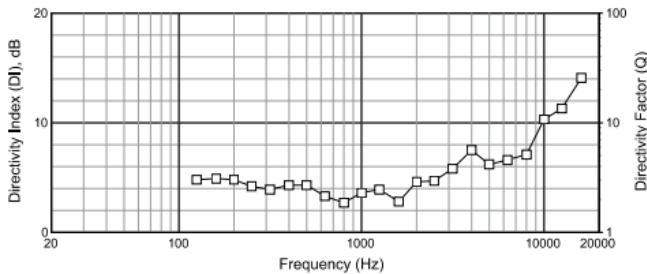


### Frequency Response:



Half-space (2pi, mounted in ceiling)

### Directivity Index:



### Off-Axis Frequency Response:

