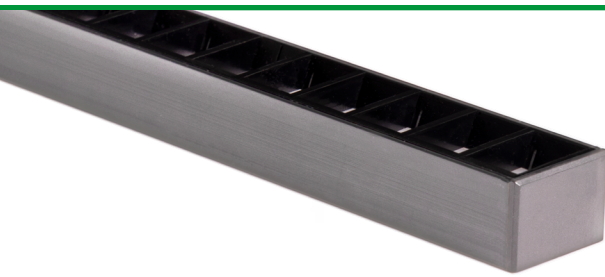


# VERS-LOUVER (07)

Linear Fixtures - Surface



The VERS Louver is designed to eliminate glare, rendering more precise light distribution. A custom-sized black VERS louver fits snugly above a low-profile clear or diffused lens to mitigate diode imaging and glare issues. Metal endcaps combined with the flush louver and extruded aluminum VERS housing provide a sleek compact fixture.

## Part Number Builder

Static White



Product	W/FT	CCT	Rated	Lens	Input/ Output	Connector/ Wire In	Connector/ Wire Out	Wire Color	Wire Type	Mounting	Finish	Length* (in)
VERS-07-SW												
Voltage: 24 VDC Typical lumens at 5.0W/ft at 3000K with CL lens: 205 lm/ft	1.5 3.0 4.0 5.0 6.0	20 22 24 27 30 35 40	DRY (IP20)	CL DF	S1 S2  Single (Closed exit)	BW CON6 CON24	CLS	WH BK	CL2 CL2P	CC MG	ST BK BZ WH	
	1.5 3.0 4.0 5.0	24 27 30 35 40	DMP (IP54)		P1 P2  Pass through	BW CON6 CON24	BW CON6 CON24					

\*Available in 1" increments for 1.5W/ft - 5.0W/ft and 2" increments for 6.0W/ft. Maximum fixture length of 98". See fixture detail on page 6. Minimum fixture length 6".

See VERS-07-SK for suspended version.

## Static White High Efficacy



Product	W/FT	CCT	Rated	Lens	Input/ Output	Connector/ Wire In	Connector/ Wire Out	Wire Color	Wire Type	Mounting	Finish	Length* (in)
VERS-07-SW												
Voltage: 24 VDC Typical lumens at 6.0W/ft at 3000K with CL lens: 382 lm/ft	1.5HE 3.0HE 6.0HE	20 22 24 27 30 35 40	DRY (IP20)	CL DF	S1 S2  Single (Closed exit)	BW CON6 CON24	CLS	WH BK	CL2 CL2P	CC MG	ST BK BZ WH	
	1.5HE 3.0HE 6.0HE	24 27 30 35 40	DMP (IP54)		P1 P2  Pass through	BW CON6 CON24	BW CON6 CON24					

\*Available in 2" increments, maximum fixture length of 98". See fixture detail on page 6. Minimum fixture length 6".

See VERS-07-SK for suspended version.

- **BW** comes in standard 36"- request custom length (Max 120") by writing it in inches next to "BW" in the order code box (ex. BW48)
- **Connector/Wire In or Out** not needed to specify product. Standard configuration is Type S1, Connector/Wire In: BW & Connector/Wire Out: CLS
- Specify **CL2P** for plenum rated wire
- **One Step, One Bin** based on 5W/ft

- 5 year warranty
- Field modifications void warranty
- Data subject to change, all data has +/- 5% tolerance
- Compatible for use with Q-Tran power supplies
- Suitable for installation in the storage area of a clothes closet when using wattage of 4.0W/ft or less

# VERS-LOUVER (07)

Linear Fixtures - Surface



## Dynamic White



Product	W/FT	CCT	Rated	Lens	Input/Output	Connector/Wire In	Connector/Wire Out	Wire Color	Wire Type	Mounting	Finish	Length* (in)
VERS-07-DW	6.0											
Voltage: 24 VDC		20/27 20/30	DRY (IP20)	CL DF	S1 S2	BW CON6 CON24	CLS	WH BK	CL2 CL2P	CC MG	ST BK BZ WH	
Typical lumens at 6.0W/ft at 3000K with CL lens: 130 lm/ft		24/30	DMP (IP54)		Single (Closed exit)							
					P1 P2	BW CON6 CON24	BW CON6 CON24					
					Pass through							

\*Available in 2" increments, maximum fixture length of 98". See fixture detail on page 6. Minimum fixture length 6".

See VERS-07-SK for suspended version.

## Dynamic White High Efficacy



Product	W/FT	CCT	Rated	Lens	Input/Output	Connector/Wire In	Connector/Wire Out	Wire Color	Wire Type	Mounting	Finish	Length* (in)
VERS-07-DW												
Voltage: 24 VDC		20/27 20/30 27/40 27/55	DRY (IP20)	CL DF	S1 S2	BW CON6 CON24	CLS	WH BK	CL2 CL2P	CC MG	ST BK BZ WH	
Typical lumens at 5.0W/ft at 3000K with CL lens: 125 lm/ft		3.0HE 5.0HE	DMP (IP54)		Single (Closed exit)							
		24/30 27/40			P1 P2	BW CON6 CON24	BW CON6 CON24					
					Pass through							

\*Available in 2" increments, maximum fixture length of 98". See fixture detail on page 6. Minimum fixture length 6".

See VERS-07-SK for suspended version.

## Warm Dim



Product	W/FT	CCT	Rated	Lens	Input/Output	Connector/Wire In	Connector/Wire Out	Wire Color	Wire Type	Mounting	Finish	Length* (in)
VERS-07-WD	6.0		DRY									
Voltage: 24 VDC		19/27 19/30	DRY (IP20)	CL DF	S1 S2	BW CON6 CON24	CLS	WH BK	CL2 CL2P	CC MG	ST BK BZ WH	
Typical lumens at 6.0W/ft at 3000K with CL lens: 249 lm/ft					Single (Closed exit)							
					P1 P2	BW CON6 CON24	BW CON6 CON24					
					Pass through							

\*Available in 2" increments, maximum fixture length of 98". See fixture detail on page 6. Minimum fixture length 6".

See VERS-07-SK for suspended version.

Only compatible with QZ and QZLP. Not compatible with other power supplies such as QTM-eLED+WD and QOM-eLED+WD.

- BW comes in standard 36" - request custom length (Max 120") by writing it in inches next to "BW" in the order code box (ex. BW48)
- Connector/Wire In or Out not needed to specify product. Standard configuration is Type S1, Connector/Wire In: BW & Connector/Wire Out: CLS
- Specify CL2P for plenum rated wire

<ul style="list-style-type: none"> <li>• 5 year warranty</li> <li>• Field modifications void warranty</li> </ul>	<ul style="list-style-type: none"> <li>• Data subject to change, all data has +/- 5% tolerance</li> <li>• Compatible for use with Q-Tran power supplies</li> </ul>
--	--

# VERS-LOUVER (07)

Linear Fixtures - Surface



Static Color    **5 YEAR WARRANTY** 

Product	W/FT	CCT	Rated	Lens	Input/Output	Connector/Wire In	Connector/Wire Out	Wire Color	Wire Type	Mounting	Finish	Length* (in)			
<b>VERS-07-SC</b>	<b>5.0</b>														
Voltage: 24 VDC		<b>GR</b> <b>BL</b> <b>RD</b> <b>AB</b>	<b>DRY</b> (IP20)	<b>CL</b> <b>DF</b>	<b>S1</b> <b>S2</b>  Single (Closed exit)	<b>BW</b> <b>CON6</b> <b>CON24</b>	<b>CLS</b>	<b>WH</b> <b>BK</b>	<b>CL2</b> <b>CL2P</b>	<b>CC</b> <b>MG</b>	<b>ST</b> <b>BK</b> <b>BZ</b> <b>WH</b>				
Typical lumens at 5.0W/ft in green with CL lens: 280 lm/ft			<b>DMP</b> (IP54)												
					<b>P1</b> <b>P2</b>  Pass through	<b>BW</b> <b>CON6</b> <b>CON24</b>	<b>BW</b> <b>CON6</b> <b>CON24</b>								

\*Available in 2" increments, maximum fixture length of 98". See fixture detail on page 6. Minimum fixture length 6".

**See VERS-07-SK for suspended version.**

RGB    **5 YEAR WARRANTY**

Product	W/FT	CCT	Rated	Lens	Input/Output	Connector/Wire In	Connector/Wire Out	Wire Color	Wire Type	Mounting	Finish	Length* (in)
<b>VERS-07-RGB</b>	<b>6.0</b>	<b>RGB</b>										
Voltage: 24 VDC			<b>DRY</b> (IP20)	<b>CL</b> <b>DF</b>	<b>S1</b> <b>S2</b>  Single (Closed exit)	<b>BW</b> <b>CON6</b> <b>CON24</b>	<b>CLS</b>	<b>WH</b> <b>BK</b>	<b>CL2</b> <b>CL2P</b>	<b>CC</b> <b>MG</b>	<b>ST</b> <b>BK</b> <b>BZ</b> <b>WH</b>	
Typical lumens at 6.0W/ft in green with CL lens: 88 lm/ft		<b>DMP</b> (IP54)										
					<b>P1</b> <b>P2</b>  Pass through	<b>BW</b> <b>CON6</b> <b>CON24</b>	<b>BW</b> <b>CON6</b> <b>CON24</b>					

\*Available in 2" increments, maximum fixture length of 98". See fixture detail on page 6. Minimum fixture length 6".

**See VERS-07-SK for suspended version.**

RGBW    **5 YEAR WARRANTY**

Product	W/FT	CCT	Rated	Lens	Input/Output	Connector/Wire In	Connector/Wire Out	Wire Color	Wire Type	Mounting	Finish	Length* (in)
<b>VERS-07-RGBW</b>	<b>6.0</b>		<b>DRY</b>									
Voltage: 24 VDC		<b>RGBW-27</b> <b>RGBW-30</b>	<b>DRY</b> (IP20)	<b>CL</b> <b>DF</b>	<b>S1</b> <b>S2</b>  Single (Closed exit)	<b>BW</b> <b>CON6</b> <b>CON24</b>	<b>CLS</b>	<b>WH</b> <b>BK</b>	<b>CL2</b> <b>CL2P</b>	<b>CC</b> <b>MG</b>	<b>ST</b> <b>BK</b> <b>BZ</b> <b>WH</b>	
Typical lumens at 6.0W/ft at 3000K with CL lens: 82 lm/ft												
					<b>P1</b> <b>P2</b>  Pass through	<b>BW</b> <b>CON6</b> <b>CON24</b>	<b>BW</b> <b>CON6</b> <b>CON24</b>					

\*Available in 4" increments, maximum fixture length of 98". See fixture detail on page 6. Minimum fixture length 6".

- **BW** comes in standard 36" - request custom length (Max 120") by writing it in inches next to "BW" in the order code box (ex. BW48)
- **Connector/Wire In or Out** not needed to specify product. Standard configuration is Type S1, Connector/Wire In: BW & Connector/Wire Out: CLS
- Specify **CL2P** for plenum rated wire

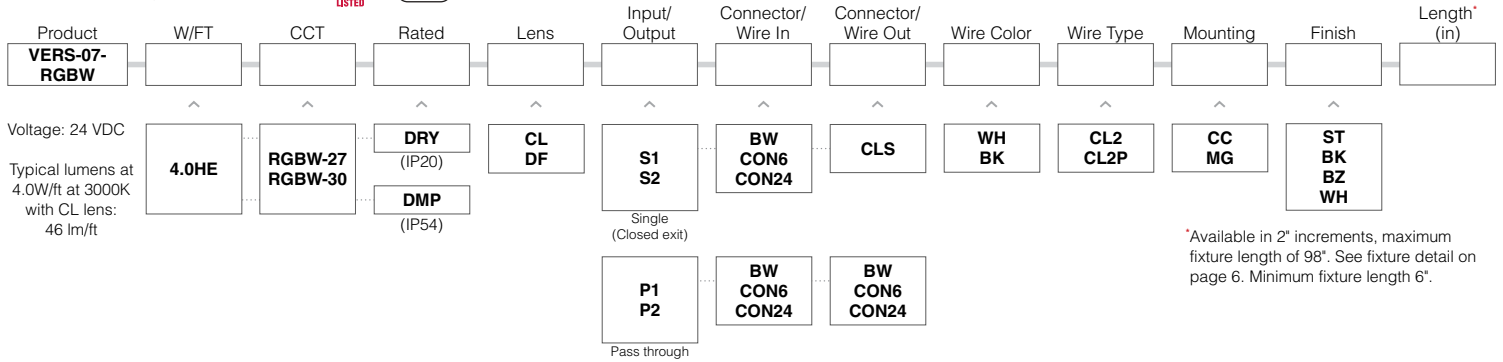
- 5 year warranty
- Field modifications void warranty
- Data subject to change, all data has +/- 5% tolerance
- Compatible for use with Q-Tran power supplies
- Florida Fish and Wildlife Conservation Commission (FWC) rated strips: DRY and WET rated, Red and Amber

# VERS-LOUVER (07)

Linear Fixtures - Surface



RGBW High Efficacy    **5 YEAR WARRANTY**



- **BW** comes in standard 36"- request custom length (Max 120") by writing it in inches next to "BW" in the order code box (ex. BW48)
- **Connector/Wire In or Out** not needed to specify product. Standard configuration is Type S1, Connector/Wire In: BW & Connector/Wire Out: CLS
- Specify **CL2P** for plenum rated wire

<ul style="list-style-type: none"> <li>• 5 year warranty</li> <li>• Field modifications void warranty</li> </ul>	<ul style="list-style-type: none"> <li>• Data subject to change, all data has +/- 5% tolerance</li> <li>• Compatible for use with Q-Tran power supplies</li> </ul>
--	--

# VERS-LOUVER (07)

Linear Fixtures - Surface



## Technical Information Delivered lumens

See photometric files for complete details.

\*NOTE - UGR is based on 4H X 8H room dimensions, where H is the mounted height of the luminaire.

### Static White [Calculated L70 = 70000 hrs]

Tested with VERS-07-SW--30-DRY--\*\*

	1.5W/FT			3.0W/FT			4.0W/FT			5.0W/FT			6.0W/FT		
	LM/FT	CRI	UGR	LM/FT	CRI	UGR	LM/FT	CRI	UGR	LM/FT	CRI	UGR	LM/FT	CRI	UGR
CL	79	97	≤ 13.3	136	98	≤ 15.5	169	98	≤ 16.1	205	98	≤ 16.7	266	98	≤ 18.2
DF	69	97	≤ 13.8	118	98	≤ 15.7	145	98	≤ 16.6	175	98	≤ 17.3	213	98	≤ 18.1

### Static White High Efficacy [Calculated L70 = 70000 hrs]

Tested with VERS-07-SW--30-DRY--\*\*

	1.5HE W/FT			3.0HE W/FT			6.0HE W/FT		
	LM/FT	CRI	UGR	LM/FT	CRI	UGR	LM/FT	CRI	UGR
CL	109	98	≤ 14.7	198	97	≤ 16.9	382	98	≤ 19.3
DF	86	98	≤ 14.8	164	98	≤ 17.2	300	98	≤ 19.3

### Dynamic White High Efficacy [Calculated L70 = 70000 hrs]

Tested with VERS-07-DW-5.0HE--\*\*DRY--\*\*

	2000K			2700K			3000K			4000K			5500K		
	LM/FT	CRI	UGR	LM/FT	CRI	UGR	LM/FT	CRI	UGR	LM/FT	CRI	UGR	LM/FT	CRI	UGR
CL	110	94	≤ 14.3	119	98	≤ 14.6	125	98	≤ 14.5	131	97	≤ 14.6	141	97	≤ 14.9
DF	87	93	≤ 14.5	96	98	≤ 14.9	102	98	≤ 15	106	98	≤ 15.2	115	97	≤ 15.5

### Dynamic White [Calculated L70 = 70000 hrs]

Tested with VERS-07-DW-6.0--\*\*DRY--\*\*

	2000K			2700K			3000K		
	LM/FT	CRI	UGR	LM/FT	CRI	UGR	LM/FT	CRI	UGR
CL	113	93	≤ 14.9	120	97	≤ 15.2	130	98	≤ 16
DF	92	94	≤ 14.8	98	97	≤ 15.1	106	98	≤ 15.4

### Static Color [Calculated L70 = 30000 hrs]

Tested with VERS-07-SC-5.0--\*\*DRY--\*\*

	Red			Green			Blue			Amber		
	LM/FT	Wavelength	UGR	LM/FT	Wavelength	UGR	LM/FT	Wavelength	UGR	LM/FT	Wavelength	UGR
CL	60	635	≤ 12.5	280	519	≤ 18.4	66	467	≤ 13.2	46	595	≤ 11.9
DF	51	634	≤ 12.9	235	519	≤ 18.4	55	467	≤ 13.3	35	596	≤ 11.4

### Warm Dim [Calculated L70 = 70000 hrs]

Tested with VERS-07-WD-6.0--\*\*DRY--\*\*

	2700K			3000K		
	LM/FT	CRI	UGR	LM/FT	CRI	UGR
CL	242	97	≤ 17.3	249	97	≤ 17.7
DF	190	97	≤ 17.4	201	97	≤ 17.6

### RGBW [Calculated L70 = 30000 hrs]

Tested with VERS-07-RGBW-6.0--\*\*DRY--\*\*

	2700K			3000K			Red			Green			Blue		
	LM/FT	CRI	UGR	LM/FT	CRI	UGR	LM/FT	Wavelength	UGR	LM/FT	Wavelength	UGR	LM/FT	Wavelength	UGR
CL	75	92	≤ 14.5	82	93	≤ 14.6	22	631	≤ 9.8	61	515	≤ 13.6	20	464	≤ 9.8
DF	59	92	≤ 13.5	61	93	≤ 13.7	20	632	≤ 10.1	51	514	≤ 13	17	464	≤ 9.8

### RGB [Calculated L70 = 55000 hrs]

Tested with VERS-07-RGB-6.0-RGB-DRY--\*\*

	Red			Green			Blue		
	LM/FT	Wavelength	UGR	LM/FT	Wavelength	UGR	LM/FT	Wavelength	UGR
CL	49	632	≤ 12.2	88	524	≤ 14.6	26	470	≤ 10.2
DF	41	632	≤ 12.1	78	526	≤ 14.4	23	470	≤ 10.1

### RGBW High Efficacy [Calculated L70 = 70000 hrs]

Tested with VERS-07-RGBW-4.0HE--\*\*DRY--\*\*

	2700K			3000K			Red			Green			Blue		
	LM/FT	CRI	UGR	LM/FT	CRI	UGR	LM/FT	Wavelength	UGR	LM/FT	Wavelength	UGR	LM/FT	Wavelength	UGR
CL	38	97	≤ 10.2	46	97	≤ 10.9	17	630	≤ 8.8	63	526	≤ 13	17	469	≤ 8.4
DF	30	96	≤ 10.5	35	98	≤ 11.2	14	628	≤ 8.4	52	524	≤ 12.5	14	469	≤ 8

## Temperature Ratings Dependent on LED Strip W/FT

Light Engine (LED Strip)	W/FT	Minimum Limit (°F)	Maximum Limit (°F)
Static White	1.5	-40	138
	3.0	-40	124
	4.0	-40	115
	5.0	-40	108
Static White High-Efficacy	1.5HE	-40	152
	3.0HE	-40	140
	6.0HE	-40	118
	9.0HE	-40	95

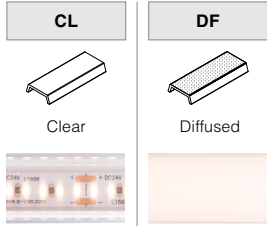
# VERS-LOUVER (07)

Linear Fixtures - Surface



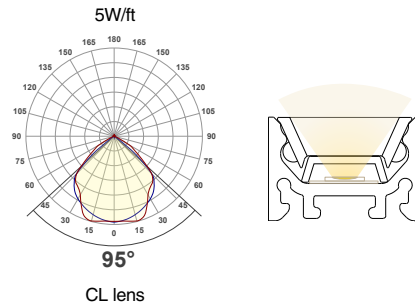
## Lens

with LED visibility

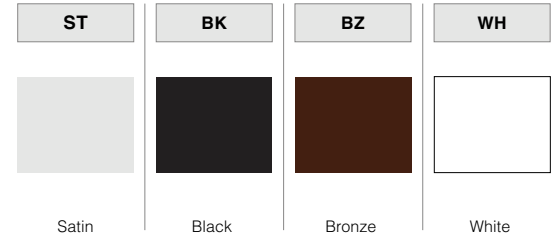


## Beam Angle

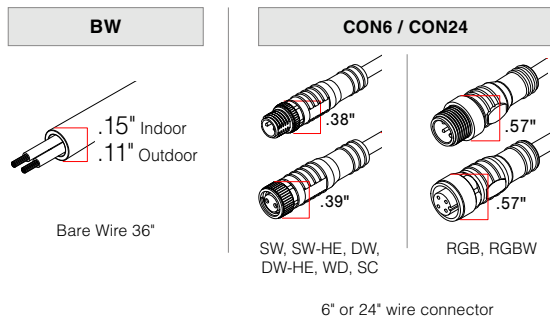
NOTE: Nominal beam spread shown, beam spread varies based on light engine. For more detailed information, see IES PDF file.



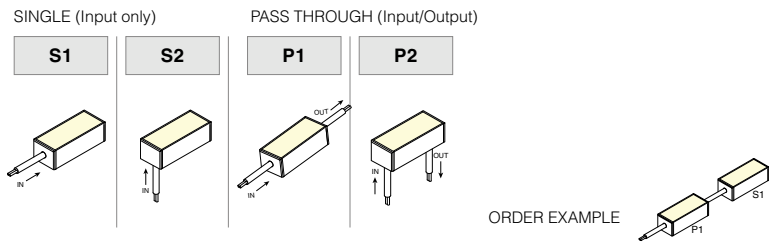
## Finish



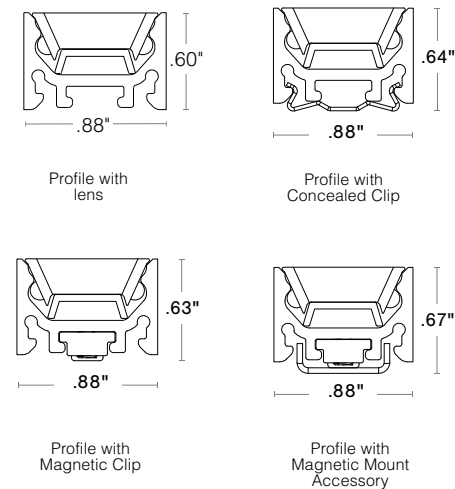
## Connector/Wire – In/Out



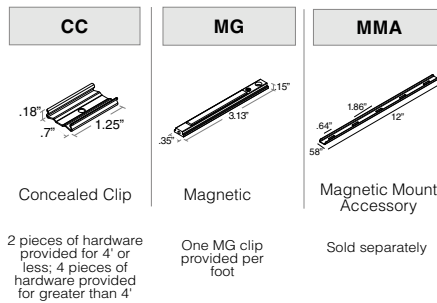
## Input/Output



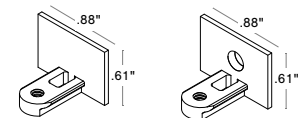
## Dimensions



## Mounting



## End Caps



## Light Engine Spacing Detail

Add to nominal LED length for fixture length

