

Indoor | Recessed | Low output up to 104lm

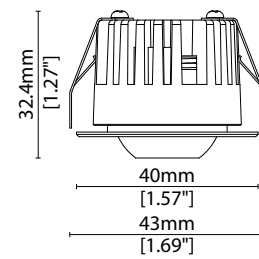


Key applications

- ✓ Cabinet & furniture
- ✓ Display case
- ✓ Interior
- ✓ Retail display
- ✓ Shelving display
- ✓ Under cabinet

Key features

- ✓ Adjustable
- ✓ Diffusion: spoting
- ✓ Dry area
- ✓ Form factor: micro
- ✓ High lumen efficacy
- ✓ IP20
- ✓ Lensed
- ✓ Output low: 1-500lm



HALO

Specification sheet



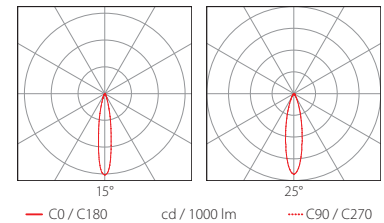
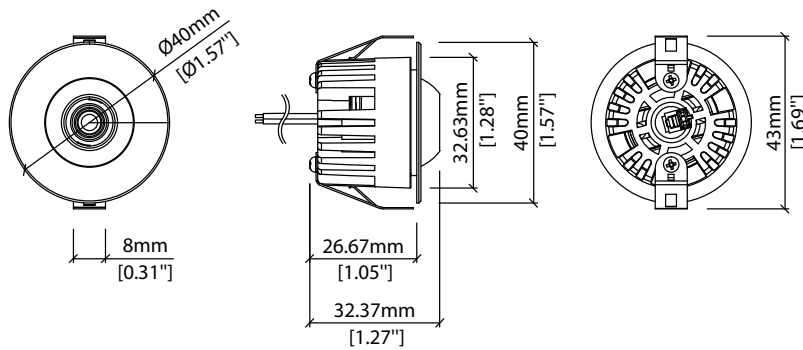
Dimension	H25.7/Ø40mm (H1.01/Ø1.57 in)
Chip	Nichia
Beam angle	15°/25°
Colours	hcc-line 3000K/4000K/5000K
Bin/Step	hcc-line 3-step MacAdam ellipse
CRI	≥90
Lifetime	50,000 hours @ 25°C (50,000 hours @ 77°F)
Operating temp	T _a = -20 to 35°C (T _c max = 60°C) T _a = -4 to 95°F (T _c max = 140°F)
IP rating	IP20
Finish	Black/Silver Anodized
Cover/lens	15°/25°
Mounting	Recessed mounting
Power feed	Hardwire tail
Control	Constant Current



PERFORMANCE DATA @ 3000K

Power consumption	Supply voltage	Supply current
1.8W	3.6V DC	0.5A

	Lens 15°	Lens 25°	CRI	R9	Rf	Rg
hcc-line	104lm 58lm/W	102lm 57lm/W	-	-	-	-



Data derived from independent UKAS/IESNA LM-79-08 accredited testing of production samples.

FIXTURE

Model	Finish	Cover	Grade	Colour (CCT)	IP	Power Feed	Lens	Control Type	Input	
HALO OEHB	Silver Anodised	SA	h ^{cc} h	3000K	IP20 20	Single no sheath tail	15°	No Controller	5	Constant Current (DC)
	Black Anodised	BA		4000K			25°			
				5000K			25°			

Code Example:

OEHB	-	SA	-	D	-	h	-	30	-	20	-	S00X	-	25	-	5	-	a
HALO		Silver Anodised		Diffused		h ^{cc}		3000K		IP20		Single no sheath tail		25°		No Controller		Constant Current (DC)

LED ENGINE VARIANTS (LED STRIP TYPE)

Luminaire	Output	Lumen/module	W	Spec Doc	Dimension
HALO	Low	104	1.8	HALO	H25.7/Ø40mm (H1.01/Ø1.57in)

* Performance data: hcc-line, Lens 15° lens, 3000K