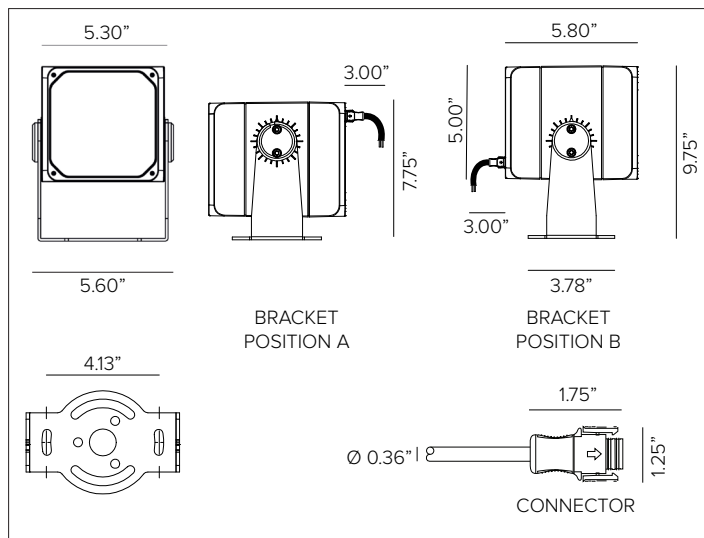


# DART MEDIUM REMOTE POWER

## Professional Adjustable Projector Floodlight



DART MEDIUM Remote Power shown in Ferrite Dark Grey finish.



### CONCEPT

Small footprint fully adjustable LED projector.

### MECHANICAL CHARACTERISTICS

<b>Housing</b>	5.30"W x 5.80"D
<b>Materials</b>	Die-cast aluminum powder coated body and joints for maximum heat dissipation. Marine Grade cataphoresis <sup>E</sup> available as optional.
<b>Finish</b>	Textured finish. ● Ferrite Dark Grey ● Heritage Brown ● Bronze ● Black ● White ● Sandstone Grey
<b>Power Connection</b>	Cabled with 25ft SJ00W 16-6 cable and DSMT anti-wicking quick disconnect.
<b>Functionality</b>	Adjustable up to ±45° on the horizontal plane with slotted mounting base and +90°/-45° on the vertical plane with aim locking set screw.
<b>Mounting</b>	Fixture can be installed directly to mounting surface or used with optional mounting installation accessories.
<b>Weight</b>	6.5lbs
<b>Protection</b>	IP66
<b>Impact</b>	IK10

### CERTIFICATIONS

cULus Class 2 Wet Location Listed.  
Tested in accordance with LM-79-08.  
Compliant for California installations.  
IEC 62471  
RoHS3 EU 215/863

### WARRANTY

5 year limited warranty

### SUSTAINABILITY

Luminaire designed for disposal/recycling at end-of-life. Replaceable LED light source and control gear by a Targetti technician.

### ELECTRICAL CHARACTERISTICS

<b>Power Supply</b>	Remote Class 2, 0-10V only, 120V-277V AC power supply required, see available options.
<b>Wattage</b>	16W (NSP) / 34W nominal (SP / FL / MWFL / WFL / NASYM / ASYM)
<b>Voltage</b>	24V DC

### SOURCE

NSP optic uses high efficiency LED Emitter. SP / FL / MWFL / WFL / NASYM / ASYM optics use high efficiency LED Chip on Board.

TM30	CCT (Nominal)	CRI	R <sub>f</sub>	R <sub>g</sub>	MR	SDCM
	2700K	81	80	97	2	2
	3000K	82	82	97	2	2
	3500K	82	81	97	2	2
	4000K	82	81	97	2	2

Ra90 available upon request

### OPTIC

Optical system is dependent on beam angle. NSP version comprised of methacrylate lenses. SP and FL versions comprised with a hybrid optic system. MWFL and WFL versions comprised of precision optics with convex reflective anodized aluminum facets. NASYM and ASYM version comprised of reflective pre-anodized brushed aluminum optic.

Beam	NSP 10°	SP 14°	FL 32°	MWFL 48°	WFL 62°	NASYM 41°x52°	ASYM 51°x83°
<b>Delivered Lumens</b>	3000K 1008Lm	2560Lm	2403Lm	4145Lm	4169Lm	3845Lm	3526Lm
	4000K 1068Lm	2581Lm	2422Lm	4244Lm	4269Lm	3938Lm	3611Lm

*For 2700K lumen values use multiplier of 0.96 from 3000K. For 3500K lumen values use multiplier of 1.02 from 3000K.*

<b>Efficacy</b>	129Lm/W max. Refer to photometric graphs for specific values.
<b>Lifetime</b>	NSP: L96/B10 30,000hrs / L95/B10 50,000hrs at max TA +25°C SP / FL: L89/B10 30,000hrs / L85/B10 50,000hrs / L78/B10 80,000hrs / L74/B10 100,000hrs at max TA +25°C MWFL / WFL / NASYM / ASYM: L91/B10 30,000hrs / L88/B10 50,000hrs / L84/B10 80,000hrs / L81/B10 100,000hrs at max TA +25°C
<b>Photobiological Classification</b>	Low risk safety RG1

# DART MEDIUM REMOTE POWER

## SPECIFICATION INFORMATION



Ex: DAMRPFELINS30 / DMLE301242UD

1 - PRODUCT CODE	2 - DRIVER	3 - FINISH	4 - WATTAGE	5 - OPTIC	6 - KELVIN
DAM — DART MEDIUM	RP — Remote Driver	FE — Ferrite Dark Grey	L1 <sup>c</sup> — 16W	NS <sup>b</sup> — NSP 10°	27 — 2700K
		HB — Heritage Brown	L2 <sup>d</sup> — 34W	SP — SP 14°	30 — 3000K
		BZ — Bronze		FL — FL 32°	35 — 3500K
		WT — White		MF — MWFL 48°	40 — 4000K
		BT — Black		WF — WFL 62°	
		SG — Sandstone Grey		NA — NASYM 41°x52°	
		RAL — <a href="#">Custom RAL</a>		AS — ASYM 51°x83°	
7 - OPTIONAL	8 - POWER SUPPLY	9 - OPTICAL ACCESSORIES	10 - INSTALLATION ACCESSORIES		
MG <sup>e</sup> — Marine Grade	<u>Power Supply</u> See section for details	<u>Filter Holder Ring</u> See section for details <u>Blade of Light Linear Spread Lens</u> See section for details <u>Anti-glare Louver</u> See section for details <u>Asymmetric Snoot</u> See section for details <u>LumiShape</u> See section for details	<u>Rotational Bracket</u> See section for details <u>Back Plate</u> See section for details <u>Earth Spike</u> See section for details <u>Laser Pointer</u> See section for details		

<sup>b</sup> NS option not available in 2700K or 3500K.

<sup>c</sup> 16W available in NSP optic only.

<sup>d</sup> 34W available in SP / FL / MWFL / WFL / NASYM / ASYM optics only.

<sup>e</sup> Marine Grade is recommended for use in environments with occasional exposure to salt air, reclaimed water, fertilizers, chemical cleaners, or frequent pressure washing (steam) cleaning. Fixture housing complete with marine grade cataphoresis suitable for use in marine grade environments. Not to be in direct contact with salt or corrosive agents for extended periods of time.

## OPTIC VERSIONS

NSP OPTIC ONLY



SP / FL OPTICS



MWFL / WF OPTICS



NASYM / ASYM OPTICS



# DART MEDIUM REMOTE POWER

## 8 - POWER SUPPLY (REQUIRED)

ENCLOSURE								
Part No.	Wattage	Control	Dim Range	Rating	In / Out Voltage	Certification	Dimensions (Enclosure)	Description
<b>PS053</b>	40W	0-10V	1%	NEMA3R	120-277V / 24V	UL Class 2	6.3" x 10.79" x 2.17"	MEAN WELL HLG ELECTRONIC DRIVER WITH FIXTURE INTEGRAL 0-10V INTERFACE.
<b>PS054</b>	60W	0-10V	1%	NEMA3R	120-277V / 24V	UL Class 2	6.3" x 10.79" x 2.17"	MEAN WELL HLG ELECTRONIC DRIVER WITH FIXTURE INTEGRAL 0-10V INTERFACE.
<b>PS055</b>	96W	0-10V	1%	NEMA3R	120-277V / 24V	UL Class 2	6.3" x 10.79" x 2.17"	MEAN WELL HLG ELECTRONIC DRIVER WITH FIXTURE INTEGRAL 0-10V INTERFACE.

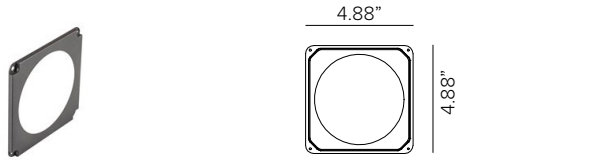
### MAX FIXTURES PER DRIVER

Fixture Wattage	Driver Wattage		
	40W	60W	96W
16W	2	3	4
34W	1	1	2

# DART MEDIUM REMOTE POWER

## 9 – OPTICAL ACCESSORIES (OPTIONAL)

MAXIMUM OF TWO ACCESSORIES PER FIXTURE.



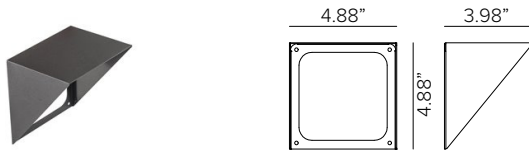
Filter holder ring. CNC machined anodized and powder coated aluminum. **Required for use of all filters.**

Part No. **1E3022** (\*)



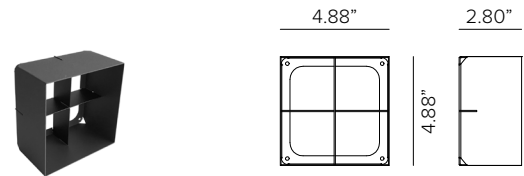
'Blade of Light' linear spread lens. PMMA holographic filter. **Not suitable for use with NSP and AYSM optics. To be completed with 1E3022 dedicated holder ring. Does not apply toward maximum accessory count.**

Part No. **1E3023** (\*)



Asymmetric snout. Powder coated stainless steel. Cutoff 27.6°. **Not compatible with 1E3025.**

Part No. **1E3024** (\*)



Anti glare louver with removable baffles for different levels of glare control. Extrusion powder coat stainless steel. Cutoff 39.2°. **Not compatible with 1E3024.**

Part No. **1E3025** (\*)

- Ferrite Dark Grey (Default)
- Heritage Brown (HB)\*
- Bronze (BZ)\*
- White (WT)\*
- Black (BT)\*
- Sandstone Grey (SG)\*

\*Add suffix to end of number to identify finish (EX. 1E3026HB)



Water jet cut stainless steel round pinhole LUMISHAPE light shield. **Performs best with SP optic.**

Finish  Deep Black

Part No. **LS11001**



Water jet cut stainless steel round circular LUMISHAPE light shield. **Performs best with SP or FL optic.**

Finish  Deep Black

Part No. **LS11002**



Water jet cut stainless steel square pinhole LUMISHAPE light shield. **Performs best with SP optic.**

Finish  Deep Black

Part No. **LS11003**



Water jet cut stainless steel regular square LUMISHAPE light shield. **Performs best with SP or FL optic.**

Finish  Deep Black

Part No. **LS11004**



Water jet cut stainless steel half LUMISHAPE light shield. **Stackable up to 4pcs per fixture; 4pcs accounts to 1 accessory toward maximum accessory count. Performs best with FL or MWFL optic**

Finish  Deep Black

Part No. **LS11005**



Water jet cut stainless steel quarter LUMISHAPE light shield. **Stackable up to 4pcs per fixture; 4pcs accounts to 1 accessory toward maximum accessory count. Performs best with FL or MWFL optic**

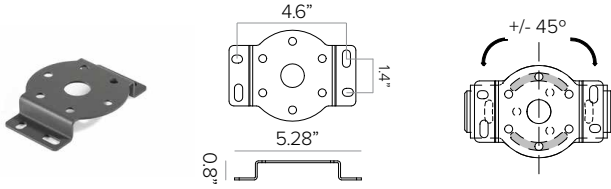
Finish  Deep Black

Part No. **LS11006**

# DART MEDIUM REMOTE POWER

## 10 – INSTALLATION ACCESSORIES (OPTIONAL)

MAXIMUM OF ONE ACCESSORY PER FIXTURE



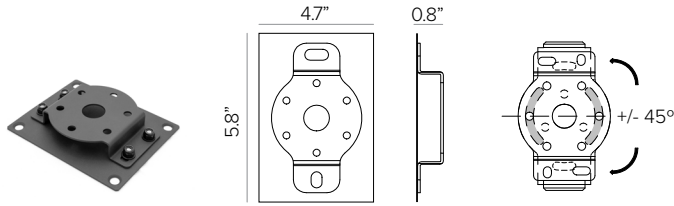
Rotational bracket for surface installation. Powder coated stainless steel.

Part No. **1E3026** (\*)



Earth spike. Powder coated stainless steel.

Part No. **1E3028** (\*)



Back plate with rotational bracket for wall mount installation. Powder coated stainless steel with Neoprene black foam. Included with 1E3026 and with factory attached Stainless Steel black oxide bolts and locking nuts.

Part No. **1US3026** (\*)



Laser pointing system. To be installed by friction on the projector's body. Powder coated stainless steel. Provided with laser. **Does not apply toward maximum accessory count.**

Part No. **1E3029**



- Ferrite Dark Grey (*Default*)
- Heritage Brown (**HB**)\*
- Bronze (**BZ**)\*
- White (**WT**)\*
- Black (**BT**)\*
- Sandstone Grey (**SG**)\*

**\*Add suffix to end of number to identify finish (EX. 1E3026HB)**

# DART MEDIUM REMOTE POWER

## PHOTOMETRY

IES FILES WATTAGE AND EFFICIENCY CALCULATIONS BASED WITH SUPPLIED DRIVER.

### NARROW SPOT

	3000K	H(m)	D(m)	Emax(lx)		
	Ra80		10°			
	Fixture Power	19W	1	0.17	24179	
	Source Flux	1332lm	2	0.34	6045	
	Fixture Flux	1008lm	3	0.51	2687	
	Efficacy	53lm/W	4	0.68	1511	
TS1512	I <sub>max</sub> =18153cd/klm	I <sub>max</sub>	24179cd	5	0.86	967

	4000K	H(m)	D(m)	Emax(lx)		
	Ra80		10°			
	Fixture Power	19W	1	0.17	25613	
	Source Flux	1411lm	2	0.34	6403	
	Fixture Flux	1068lm	3	0.51	2846	
	Efficacy	56lm/W	4	0.68	1601	
TS1512	I <sub>max</sub> =18153cd/klm	I <sub>max</sub>	25613cd	5	0.86	1025

### SPOT

	3000K	H(m)	D(m)	Emax(lx)		
	Ra80		14°			
	Fixture Power	36W	1	0.24	32755	
	Source Flux	4336lm	2	0.47	8189	
	Fixture Flux	2560lm	3	0.71	3639	
	Efficacy	71lm/W	4	0.95	2047	
TS1500	I <sub>max</sub> =7554cd/klm	I <sub>max</sub>	32755cd	5	1.18	1310

	4000K	H(m)	D(m)	Emax(lx)		
	Ra80		14°			
	Fixture Power	36W	1	0.24	33020	
	Source Flux	4371lm	2	0.47	8255	
	Fixture Flux	2581lm	3	0.71	3669	
	Efficacy	71lm/W	4	0.95	2064	
TS1500	I <sub>max</sub> =7554cd/klm	I <sub>max</sub>	33020cd	5	1.18	1321

### FLOOD

	3000K	H(m)	D(m)	Emax(lx)		
	Ra80		32°			
	Fixture Power	36W	1	0.58	8554	
	Source Flux	4336lm	2	1.16	2139	
	Fixture Flux	2403lm	3	1.74	950	
	Efficacy	66lm/W	4	2.33	535	
TS1501	I <sub>max</sub> =1973cd/klm	I <sub>max</sub>	8554cd	5	2.91	342

	4000K	H(m)	D(m)	Emax(lx)		
	Ra80		32°			
	Fixture Power	36W	1	0.58	8623	
	Source Flux	4371lm	2	1.16	2156	
	Fixture Flux	2422lm	3	1.74	958	
	Efficacy	67lm/W	4	2.33	539	
TS1501	I <sub>max</sub> =1973cd/klm	I <sub>max</sub>	8623cd	5	2.91	345

### MEDIUM WIDE FLOOD

	3000K	H(m)	D(m)	Emax(lx)		
	Ra80		48°			
	Fixture Power	33W	1	0.89	6540	
	Source Flux	4963lm	2	1.78	1635	
	Fixture Flux	4145lm	3	2.68	727	
	Efficacy	125lm/W	4	3.57	409	
TS1502	I <sub>max</sub> =1366cd/klm	I <sub>max</sub>	6778cd	5	4.46	262

	4000K	H(m)	D(m)	Emax(lx)		
	Ra80		48°			
	Fixture Power	33W	1	0.89	6697	
	Source Flux	5082lm	2	1.78	1674	
	Fixture Flux	4244lm	3	2.68	744	
	Efficacy	128lm/W	4	3.57	419	
TS1502	I <sub>max</sub> =1366cd/klm	I <sub>max</sub>	6940cd	5	4.46	268

### WIDE FLOOD

	3000K	H(m)	D(m)	Emax(lx)		
	Ra80		62°			
	Fixture Power	33W	1	1.20	4948	
	Source Flux	4963lm	2	2.40	1237	
	Fixture Flux	4169lm	3	3.60	550	
	Efficacy	126lm/W	4	4.80	309	
TS1503	I <sub>max</sub> =997cd/klm	I <sub>max</sub>	4948cd	5	5.99	198

	4000K	H(m)	D(m)	Emax(lx)		
	Ra80		62°			
	Fixture Power	33W	1	1.20	5066	
	Source Flux	5082lm	2	2.40	1267	
	Fixture Flux	4269lm	3	3.60	563	
	Efficacy	129lm/W	4	4.80	317	
TS1503	I <sub>max</sub> =997cd/klm	I <sub>max</sub>	5066cd	5	5.99	203

# DART MEDIUM REMOTE POWER

## PHOTOMETRY

IES FILES WATTAGE AND EFFICIENCY CALCULATIONS BASED WITH SUPPLIED DRIVER.

### NARROW ASYMMETRIC

	3000K	H(m)	D1(m)	D2(m)	Emax(lx)	
	Ra80		41°	52°		
	Fixture Power	33W	1	1.20	1.26	3026
	Source Flux	4963lm	2	2.41	2.52	756
	Fixture Flux	3845lm	3	3.61	3.78	336
	Efficacy	116lm/W	4	4.81	5.04	189
TS1505	I <sub>max</sub> =1098cd/klm	I <sub>max</sub>	5	6.02	6.29	121

	4000K	H(m)	D1(m)	D2(m)	Emax(lx)	
	Ra80		41°	52°		
	Fixture Power	33W	1	1.20	1.26	3098
	Source Flux	5082lm	2	2.41	2.52	775
	Fixture Flux	3938lm	3	3.61	3.78	344
	Efficacy	119lm/W	4	4.81	5.04	194
TS1505	I <sub>max</sub> =1098cd/klm	I <sub>max</sub>	5	6.02	6.29	124

### ASYMMETRIC

	3000K	H(m)	D1(m)	D2(m)	Emax(lx)	
	Ra80		51°	83°		
	Fixture Power	33W	1	1.72	2.39	1328
	Source Flux	4963lm	2	3.44	4.78	332
	Fixture Flux	3526lm	3	5.16	7.16	148
	Efficacy	106lm/W	4	6.88	9.55	83
TS1504	I <sub>max</sub> =504cd/klm	I <sub>max</sub>	5	8.60	11.94	53

	4000K	H(m)	D1(m)	D2(m)	Emax(lx)	
	Ra80		51°	83°		
	Fixture Power	33W	1	1.72	2.39	1360
	Source Flux	5082lm	2	3.44	4.78	340
	Fixture Flux	3611lm	3	5.16	7.16	151
	Efficacy	109lm/W	4	6.88	9.55	85
TS1504	I <sub>max</sub> =504cd/klm	I <sub>max</sub>	5	8.60	11.94	54