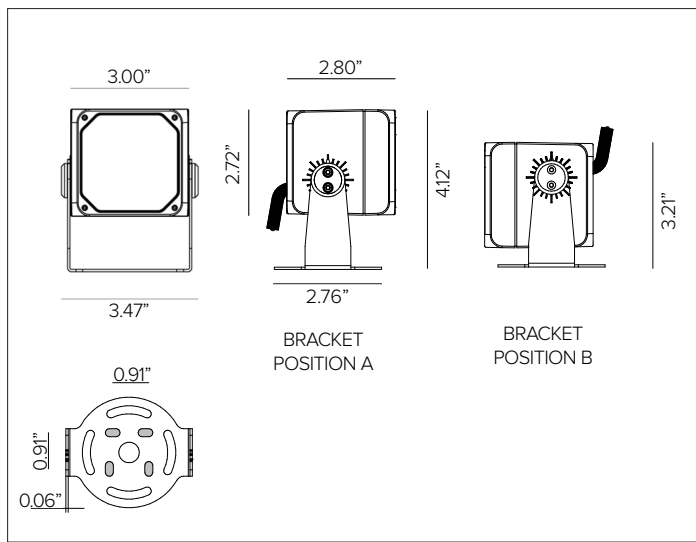


DART SMALL

Professional Adjustable Projector Floodlight



DART SMALL shown in Ferrite Dark Grey finish.



CONCEPT

Extremely small footprint fully adjustable LED floodlight projector.

MECHANICAL CHARACTERISTICS

Housing	3.00" W x 2.80"D
Materials	Die-cast aluminum powder coated body and joints for maximum heat dissipation. Marine Grade cataphoresis [®] available as optional.
Finish	Textured finish. ● Ferrite Dark Grey ● Heritage Brown ● Bronze ● Black ● White ● Sandstone Grey
Power Connection	Pre-cabled with 25' Belden direct burial 18ga 2 conductor cable for connection to remote power supply.
Functionality	Adjustable up to ±45° on the horizontal plane with slotted mounting base and +90°/-45° on the vertical plane with aim locking set screw.
Mounting	Fixture can be installed directly to mounting surface or used with optional mounting installation accessories.
Weight	1.5lbs
Protection	IP66
Impact	IK10

CERTIFICATIONS

cULus Class 2 Wet Location Listed E479873.
 Tested in accordance with LM-79-08.
 Compliant for California installations.
 IEC 62471
 RoHS3 EU 215/863

WARRANTY

5 year limited warranty

SUSTAINABILITY

Luminaire designed for disposal/recycling at end-of-life. Replaceable LED light source and control gear by a Targetti technician.

ELECTRICAL CHARACTERISTICS

Power Supply	Remote Class 2 120V-277V AC power supply required, ordered separately.
Wattage	3W (NSP) / 15W nominal (SP / FL / MWFL)
Voltage	24V DC

SOURCE

NSP optic uses high efficiency LED Emitter. SP / FL / MWFL optics use high efficiency LED Chip on Board.

TM30	CCT (Nominal)	CRI	Rf	Rg	MR	SDCM
	2700K	81	80	97	2	2
	3000K	82	82	97	2	2
	3500K	82	81	97	2	2
	4000K	82	81	97	2	2

Ra90 available upon request.

OPTIC

Optical system is dependent on beam angle. NSP, SP and FL versions comprised with methacrylate lenses. MWFL version comprised of precision optics with convex reflective anodized aluminum facets.

Beam	NSP 9°	SP 17°	FL 32°	MWFL 46°
Delivered Lumens	3000K 147Lm	1347Lm	1450Lm	1691Lm
	4000K 156Lm	1424Lm	1462Lm	1705Lm
	<i>For 2700K lumen values use multiplier of 0.96 from 3000K For 3500K lumen values use multiplier of 1.02 from 3000K.</i>			
Efficacy	25Lm/W max. Refer to photometric graphs for specific values.			
Lifetime	NSP: L80/B10 60,000hrs at max TA +25°C SP/FL: L80/B10 80,000hrs at max TA +25°C MWFL: L80/B10 100,000hrs at max TA +25°C			
Photobiological Classification	Low risk safety RG1			

DART SMALL

SPECIFICATION INFORMATION



Ex: DASRPFELINS3024 / DMLE301242UD

1 - PRODUCT CODE	2 - DRIVER	3 - FINISH	4 - WATTAGE	5 - OPTIC	6 - KELVIN	7 - VOLTAGE
DAS — DART SMALL	RP — Remote Power	FE — Ferrite Dark Grey HB — Heritage Brown BZ — Bronze WT — White BT — Black SG — Sandstone Grey RAL — Custom RAL	L1 — 3W L2 — 15W	NS^B — NSP 9° SP — SP 17° FL — FL 32° MF — MWFL 46°	27 — 2700K 30 — 3000K 35 — 3500K 40 — 4000K	24 — 24V DC
8 - OPTIONAL	9 - POWER SUPPLY	10 - OPTICAL ACCESSORIES	11 - INSTALLATION ACCESSORIES	12 - TREE INSTALLATION ACCESSORIES		
MG^C — Marine Grade	Power Supply See section for details	Filter Holder Ring See section for details Blade of Light Linear Spread Lens See section for details Anti-glare Louver See section for details Asymmetric Snoot See section for details LumiShape See section for details	Rotational Bracket See section for details Back Plate See section for details Earth Spike See section for details	Tree Strap See section for details Fixture Brackets See section for details Wiring Connection Box See section for details Mesh Wire Protective Cover See section for details Installation Strap See section for details		

^B NSP optic not available in 2700K or 3500K.

^C Marine Grade is recommended for use in environments with occasional exposure to salt air, reclaimed water, fertilizers, chemical cleaners, or frequent pressure washing (steam) cleaning. Fixture housing complete with marine grade cataphoresis suitable for use in marine grade environments. Not to be in direct contact with salt or corrosive agents for extended periods of time.

DART SMALL

9 - POWER SUPPLY (REQUIRED)

ENCLOSURE								
Part No.	Wattage	Control	Dim Range	Rating	In / Out Voltage	Certification	Dimensions (Enclosure)	Description
DMLE301242UD	30W	MLV / ELV / 0-10V / TRIAC	MLV <10% / ELV <10% / 0-10V <5%	NEMA3R	120-277V / 24V	UL Class 2	4.47" X 6.79" X 1.38"	EMCOD MLE-UD electronic driver with wiring compartment.
DELV30124DJBX	30W	0-10V	1%	IP65	120-277V / 24V	UL Class 2	12.1" X 2.4" X 1.4"	Magnitude SOLIDrive electronic driver with built in junction box.
DMLE601242UD	60W	MLV / ELV / 0-10V / TRIAC	MLV <10% / ELV <10% / 0-10V <5%	NEMA3R	120-277V / 24V	UL Class 2	4.47" X 6.79" X 1.38"	EMCOD MLE-UD electronic driver with wiring compartment.
DELV60124DJBX	60W	0-10V	1%	IP65	120-277V / 24V	UL Class 2	12.1" X 2.4" X 1.4"	Magnitude SOLIDrive electronic driver with built in junction box.
DMLE961242UD	96W	MLV / ELV / 0-10V / TRIAC	MLV <10% / ELV <10% / 0-10V <5%	NEMA3R	120-277V / 24V	UL Class 2	5.16" X 7.73" X 1.54"	EMCOD MLE-UD electronic driver with wiring compartment.
DELV96124DJBX	96W	0-10V	1%	IP65	120-277V / 24V	UL Class 2	12.1" X 2.4" X 1.4"	Magnitude SOLIDrive electronic driver with built in junction box.
DMLE1922242UD	2X96W	MLV / ELV / 0-10V / TRIAC	MLV <10% / ELV <10% / 0-10V <5%	NEMA3R	120-277V / 24V	UL Class 2	5.04" X 10.94" X 1.81"	EMCOD MLE-UD electronic driver with wiring compartment.
DMLE2882242UD	3X96W	MLV / ELV / 0-10V / TRIAC	MLV <10% / ELV <10% / 0-10V <5%	NEMA3R	120-277V / 24V	UL Class 2	5.04" X 10.94" X 1.81"	EMCOD MLE-UD electronic driver with wiring compartment.

STANDALONE								
Part No.	Wattage	Control	Dim Range	Rating	In / Out Voltage	Certification	Dimensions (Standalone)	Description
DELV30124D	30W	0-10V	1%	IP65	120-277V / 24V	UR Class 2	7.5" X 2.4" X 1.4"	Magnitude SOLIDrive electronic standalone driver. UL listed enclosure provided by others.
DELV60124D	60W	0-10V	1%	IP65	120-277V / 24V	UR Class 2	7.5" X 2.4" X 1.4"	Magnitude SOLIDrive electronic standalone driver. UL listed enclosure provided by others.
DELV96124D	96W	0-10V	1%	IP65	120-277V / 24V	UR Class 2	7.5" X 2.4" X 1.4"	Magnitude SOLIDrive electronic standalone driver. UL listed enclosure provided by others.

MAX FIXTURES PER DRIVER					
Fixture Wattage	Driver Wattage				
	30W	60W	96W	2X96W	3X96W
	3W	8	16	25	25+25
15W	1	3	5	5+5	5+5+5

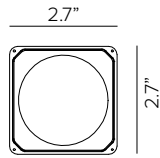
MAX CABLE DISTANCE						
Fixture Wattage	No. Fixtures	Load	18 AWG	16 AWG	14 AWG	12 AWG
3W	1-4	≤16W	72ft	115ft	180ft	290ft
	5-8	≤32W	42ft	67ft	106ft	165ft
	9-12	≤48W	28ft	44ft	70ft	112ft
	13-16	≤54W	20ft	33ft	52ft	84ft
15W	17-20	≤80W	16ft	26ft	41ft	66ft
	1	≤16W	72ft	115ft	180ft	290ft
	2	≤32W	42ft	67ft	106ft	165ft
	3	≤48W	28ft	44ft	70ft	112ft
	4	≤54W	20ft	33ft	52ft	84ft
	5	≤80W	16ft	26ft	41ft	66ft

*Voltage drop calculations are based on 3% max drop to last fixture in run for load and distances below

DART SMALL

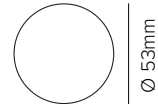
10 – OPTICAL ACCESSORIES (OPTIONAL)

MAXIMUM OF TWO ACCESSORIES PER FIXTURE.



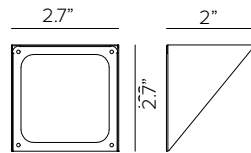
Filter holder ring. CNC machined anodized and powder coated aluminum. **Required for use of all filters.**

Part No. **1E3011** (*)



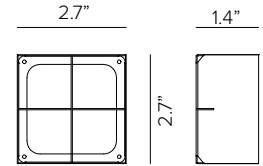
'Blade of Light' linear spread lens. PMMA holographic filter. **To be completed with 1E3011 dedicated holder ring. Does not apply toward maximum accessory count.**

Part No. **1E3012**



Asymmetric snout. Powder coated stainless steel. Cutoff 30.4°. **Not compatible with 1E3014.**

Part No. **1E3013** (*)



Anti glare louver with removable baffles in deep black finish for different levels of glare control. Extrusion powder coat stainless steel. Cutoff 43.4°. **Not compatible with 1E3013.**

Part No. **1E3014** (*)

- Ferrite Dark Grey (Default)
- Heritage Brown (HB)*
- Bronze (BZ)*
- White (WT)*
- Black (BT)*
- Sandstone Grey (SG)*

*Add suffix to end of number to identify finish (EX. 1E3026HB)



Water jet cut stainless steel round pinhole LUMISHAPE light shield. **Performs best with NSP or SP optic.**

Finish Deep Black

Part No. **LS05701**



Water jet cut stainless steel round circular LUMISHAPE light shield. **Performs best with SP or FL optic.**

Finish Deep Black

Part No. **LS05702**



Water jet cut stainless steel square pinhole LUMISHAPE light shield. **Performs best with NSP or SP optic.**

Finish Deep Black

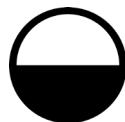
Part No. **LS05703**



Water jet cut stainless steel square LUMISHAPE light shield. **Performs best with SP or FL optic.**

Finish Deep Black

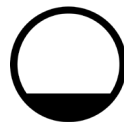
Part No. **LS05704**



Water jet cut stainless steel half LUMISHAPE light shield. **Stackable up to 4pcs per fixture; 4pcs accounts to 1 accessory toward maximum accessory count. Performs best with FL or MFL optic**

Finish Deep Black

Part No. **LS05705**



Water jet cut stainless steel quarter LUMISHAPE light shield. **Stackable up to 4pcs per fixture; 4pcs accounts to 1 accessory toward maximum accessory count. Performs best with FL or MFL optic**

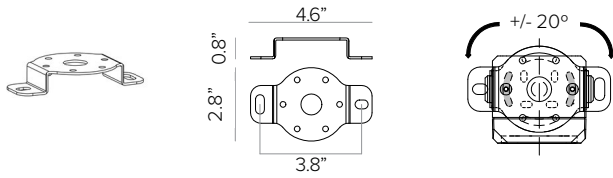
Finish Deep Black

Part No. **LS05706**

DART SMALL

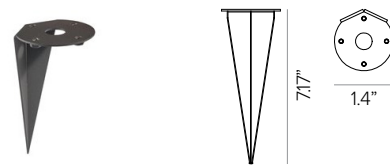
11 – INSTALLATION ACCESSORIES (OPTIONAL)

MAXIMUM OF ONE ACCESSORY PER FIXTURE



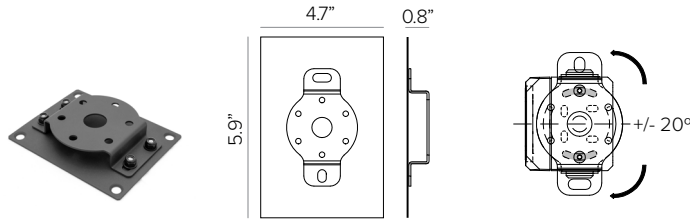
Rotational bracket for surface installation. Powder coated stainless steel.

Part No. **1E3015** (*)



Earth spike. Powder coated stainless steel.

Part No. **1E3016** (*)



Back plate with rotational bracket for wall mount installation. Powder coated stainless steel with Neoprene black foam. Included with 1E3026 and factory attached Stainless Steel black oxide bolts and locking nuts.

Part No. **1US3015** (*)



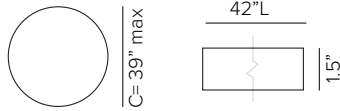
- Ferrite Dark Grey (*Default*)
- Heritage Brown (**HB**)*
- Bronze (**BZ**)*
- White (**WT**)*
- Black (**BT**)*
- Sandstone Grey (**SG**)*

***Add suffix to end of number to identify finish (EX. 1E3026HB)**

DART SMALL

12 – TREE MOUNTING INSTALLATION (OPTIONAL)

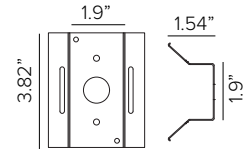
SINGLE STRAP FOR USE WITH OF UP TO 3 FIXTURES



Single tree strap comprised of durable Nylon webbing flexible strap with high strength aircraft aluminum V-ring buckle in Gunmetal finish and lock-in loop to prevent slipping. **Strap is made to coordinate with up to 3 fixtures and 1 wiring connection box. Strap fits trees 39" max circumference or smaller. (REQUIRED)**

Finish ● Olive Green ● Coyote Brown ● Graphite Grey

Part No. **TTS0101** **TTS0102** **TTS0103**



Fixture bracket comprised of powder coated stainless steel for use with tree strap. **Maximum of 3 brackets can be per single strap. (REQUIRED)**

Finish ● Ferrite Dark Grey ● Bronze

Part No. **TTBLT0101** **TTBLT0102**



Tree Strap Connection Box. Painted aluminum UL listed 9in³ j-box with 3ea 3/8" cable glands and 1ea 1/2" cable gland. Mounting bracket for tree strap included. Used to connect multiple 24V DC low voltage cables for one continuous cable connection down the tree to remote driver, additional cable provided by others. **Can be used for up to 3 fixture connections per tree strap. (OPTIONAL)**

Finish ● Ferrite Dark Grey ● Bronze

Part No. **TTCB0103FG** **TTCB0103BZ**

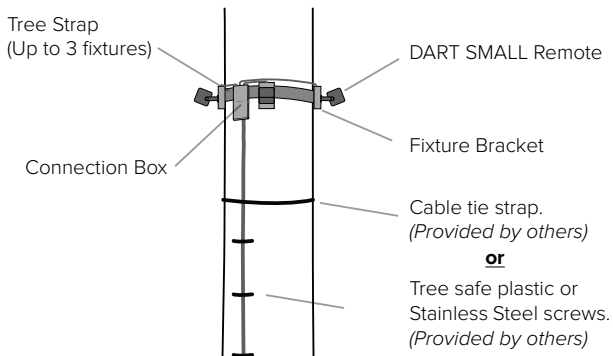


Mesh wire protection cover sleeve comprised of braided polyethylene terephthalate (PET) monofilament webbing resistant to chemical degradation, UV radiation and abrasion. 3/8" SJO Cord Sleeve, available per foot. **(OPTIONAL)**

Finish ● Carbon Grey ● Brown ● Forest Green

Part No. **TTSJS01** **TTSJS02** **TTSJS03**

WIRING CONFIGURATION



To be installed per local building code. Adjust the strap every 6 months in order to prevent tree damage.

DART SMALL

PHOTOMETRY

IES FILES WATTAGE AND EFFICIENCY CALCULATIONS BASED WITH SUPPLIED DRIVER

NARROW SPOT

	3000K	H(m)	D(m)	Emax(lx)		
	Ra80		9°			
	Fixture Power	3W	1	0.15	4041	
	Source Flux	200lm	2	0.30	1010	
	Fixture Flux	147lm	3	0.46	449	
	Efficacy	54lm/W	4	0.61	253	
TS937	Imax=20203cd/klm	Imax	4041cd	5	0.76	162

	4000K	H(m)	D(m)	Emax(lx)		
	Ra80		9°			
	Fixture Power	3W	1	0.15	4283	
	Source Flux	212lm	2	0.30	1071	
	Fixture Flux	156lm	3	0.46	476	
	Efficacy	58lm/W	4	0.61	268	
TS937	Imax=20203cd/klm	Imax	4283cd	5	0.76	171

SPOT

	3000K	H(m)	D(m)	Emax(lx)		
	Ra80		17°			
	Fixture Power	15W	1	0.30	11214	
	Source Flux	1913lm	2	0.61	2804	
	Fixture Flux	1347lm	3	0.91	1246	
	Efficacy	90lm/W	4	1.21	701	
TS1506	Imax=5862cd/klm	Imax	11214cd	5	1.52	449

	4000K	H(m)	D(m)	Emax(lx)		
	Ra80		17°			
	Fixture Power	15W	1	0.30	11853	
	Source Flux	2022lm	2	0.61	2963	
	Fixture Flux	1424lm	3	0.91	1317	
	Efficacy	95lm/W	4	1.21	741	
TS1506	Imax=5862cd/klm	Imax	11853cd	5	1.52	474

FLOOD

	3000K	H(m)	D(m)	Emax(lx)		
	Ra80		32°			
	Fixture Power	14W	1	0.58	4295	
	Source Flux	2146lm	2	1.15	1074	
	Fixture Flux	1450lm	3	1.73	477	
	Efficacy	107lm/W	4	2.31	268	
TS1507	Imax=2002cd/klm	Imax	4295cd	5	2.88	172

	4000K	H(m)	D(m)	Emax(lx)		
	Ra80		32°			
	Fixture Power	14W	1	0.58	4331	
	Source Flux	2164lm	2	1.15	1083	
	Fixture Flux	1462lm	3	1.73	481	
	Efficacy	108lm/W	4	2.31	271	
TS1507	Imax=2002cd/klm	Imax	4331cd	5	2.88	173

MEDIUM WIDE FLOOD

	3000K	H(m)	D(m)	Emax(lx)		
	Ra80		46°			
	Fixture Power	14W	1	0.85	3048	
	Source Flux	2146lm	2	1.70	762	
	Fixture Flux	1691lm	3	2.54	339	
	Efficacy	124lm/W	4	3.39	190	
TS1508	Imax=1421cd/klm	Imax	3050cd	5	4.24	122

	4000K	H(m)	D(m)	Emax(lx)		
	Ra80		46°			
	Fixture Power	14W	1	0.85	3073	
	Source Flux	2164lm	2	1.70	768	
	Fixture Flux	1705lm	3	2.54	341	
	Efficacy	125lm/W	4	3.39	192	
TS1508	Imax=1421cd/klm	Imax	3075cd	5	4.24	123