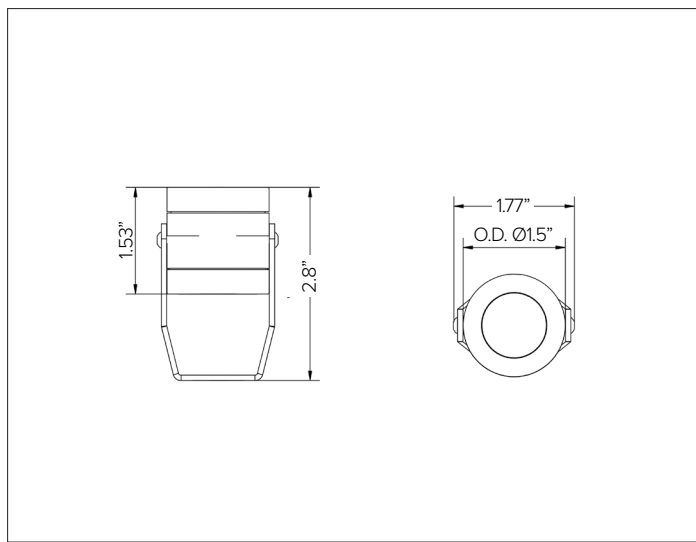


JUPITER MINI PROJECTOR

Professional Adjustable LED Floodlight Projector



JUPITER MINI PROJECTOR shown in Ferrite Dark Grey finish.



CONCEPT

Miniature adjustable LED floodlight projector.

MECHANICAL CHARACTERISTICS

Housing	1.77" W x 2.80"D
Materials	Painted milled anodized aluminum body. Beveled extra clear front glass.
Finish	Textured Standard Finishes – Ferrite Grey / Heritage Brown / Bronze RAL 8019 / Plaster White / Deep Black / Sandstone Grey. ● Ferrite Dark Grey ● Heritage Brown ● Bronze ● Black ● White ● Sandstone Grey
Power Connection	Pre-cabled with 10' direct burial 18ga 2 conductor cable for connection to remote power supply.
Mounting	Fixed onto an adjustable yoke bracket.
Weight	0.5lbs
Protection	IP67
Impact	IK10

CERTIFICATIONS

cULus Class 2 Wet Location Listed E479873.
 Tested in accordance with LM-79-08.
 Compliant for California installations.
 IEC 62471
 RoHS3 EU 215/863

WARRANTY

5 year limited warranty
^A Consult factory for use in marine grade environments.

ELECTRICAL CHARACTERISTICS

Power Supply	Remote Class 2 120V-277V AC power supply required, ordered separately.
Wattage	3W
Voltage	24V DC

SOURCE

High efficiency LED Emitter Ra90

TM30	CCT (Nominal)	CRI	Rf	Rg	MR	SDCM
	2700K	90	92	99	2	2
	3000K	90	92	101	2	2
	3500K	90	90	98	2	2
	4000K	90	90	98	2	2

OPTIC

Precision optic system with PMMA lenses for the spot, flood and wide flood versions with a light cut system integrated into the front glass. Integral black anti-glare honeycomb louver optical accessory available.

Beam	SP 19°	FL 24°	MWFL 32°
Delivered Lumens	3000K 101Lm 4000K 108Lm	95Lm 102Lm	93Lm 101Lm
<i>For 2700K lumen values use multiplier of 0.96 from 3000K. For 3500K lumen values use multiplier of 1.02 from 3000K.</i>			
Efficacy	40Lm/W max. Refer to photometric graphs for specific values.		
Lifetime	SP /FL: L80/B10 80,000hrs at max TA +25°C MWFL: L80/B10 100,000hrs at max TA +25°C		
Photobiological Classification	Low risk safety RG1		

JUPITER MINI PROJECTOR

SPECIFICATION INFORMATION



1 - PRODUCT CODE	2 - DRIVER	3 - FINISH	4 - OPTIC	5 - WATTAGE	6 - KELVIN	7 - VOLTAGE	8 - OPTICAL ACCESSORY
JP — JUPITER MINI PROJECTOR	R — Remote Power	FE — Ferrite Dark Grey HB — Heritage Brown BZ — Bronze RAL8019 WT — Textured White BT — Textured Black SG — Sandstone Grey RAL — Custom RAL	SP — SP 19° FL — FL 24° WF — MWFL 32°	L1 — 3W	27 — 2700K 30 — 3000K 35 — 3500K 40 — 4000K	24 — 24VDC	— — No Optical Accessory LV[®] — Honeycomb Louver

9 - POWER SUPPLY	10 - INSTALLATION ACCESSORIES
Power Supply See section for details	Earth Spike See section for details

[®] Optical accessories are factory pre-installed integral to the fixture.

JUPITER MINI PROJECTOR

9 - POWER SUPPLY (REQUIRED)

ENCLOSURE								
Part No.	Wattage	Control	Dim Range	Rating	In / Out Voltage	Certification	Dimensions (Enclosure)	Description
DMLE301242UD	30W	MLV / ELV / 0-10V / TRIAC	1%	NEMA3R	120-277V / 24V	UL Class 2	4.47" X 6.79" X 1.38"	EMCOD MLE-UD electronic driver with wiring compartment.
DELV30124DJBX	30W	0-10V	10%	IP65	120-277V / 24V	UL Class 2	12.1" X 2.4" X 1.4"	Magnitude SOLIDrive electronic driver with built in junction box.
DMLE601242UD	60W	MLV / ELV / 0-10V / TRIAC	1%	NEMA3R	120-277V / 24V	UL Class 2	4.47" X 6.79" X 1.38"	EMCOD MLE-UD electronic driver with wiring compartment.
DELV60124DJBX	60W	0-10V	10%	IP65	120-277V / 24V	UL Class 2	12.1" X 2.4" X 1.4"	Magnitude SOLIDrive electronic driver with built in junction box.
DMLE961242UD	96W	MLV / ELV / 0-10V / TRIAC	1%	NEMA3R	120-277V / 24V	UL Class 2	5.16" X 7.73" X 1.54"	EMCOD MLE-UD electronic driver with wiring compartment.
DELV96124DJBX	96W	0-10V	10%	IP65	120-277V / 24V	UL Class 2	12.1" X 2.4" X 1.4"	Magnitude SOLIDrive electronic driver with built in junction box.
DMLE1922242UD	2X96W	MLV / ELV / 0-10V / TRIAC	1%	NEMA3R	120-277V / 24V	UL Class 2	5.04" X 10.94" X 1.81"	EMCOD MLE-UD electronic driver with wiring compartment.
DMLE2882242UD	3X96W	MLV / ELV / 0-10V / TRIAC	1%	NEMA3R	120-277V / 24V	UL Class 2	5.04" X 10.94" X 1.81"	EMCOD MLE-UD electronic driver with wiring compartment.

STANDALONE								
Part No.	Wattage	Control	Dim Range	Rating	In / Out Voltage	Certification	Dimensions (Standalone)	Description
DELV30124D	30W	0-10V	10%	IP65	120-277V / 24V	UR Class 2	7.5" X 2.4" X 1.4"	Magnitude SOLIDrive electronic standalone driver. UL listed enclosure provided by others.
DELV60124D	60W	0-10V	10%	IP65	120-277V / 24V	UR Class 2	7.5" X 2.4" X 1.4"	Magnitude SOLIDrive electronic standalone driver. UL listed enclosure provided by others.
DELV96124D	96W	0-10V	10%	IP65	120-277V / 24V	UR Class 2	7.5" X 2.4" X 1.4"	Magnitude SOLIDrive electronic standalone driver. UL listed enclosure provided by others.

MAX FIXTURES PER DRIVER

Fixture Wattage	Driver Wattage				
	30W	60W	96W	2X90W	3X90W
3W	8	16	25	24+24	24+24+24

JUPITER MINI PROJECTOR

10 - INSTALLATION ACCESSORIES (OPTIONAL)

MAXIMUM OF ONE ACCESSORY PER FIXTURE



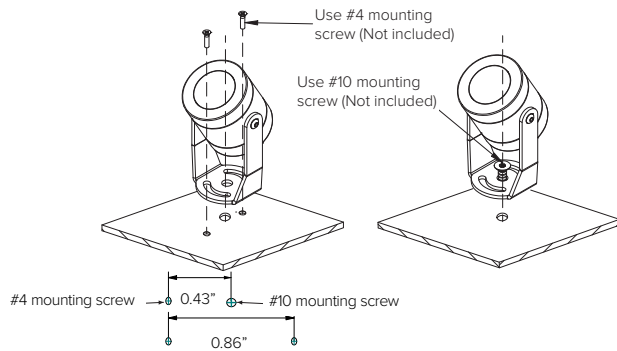
Earth spike. Powder coated stainless steel.

Part No. **1E0995FE (*)**

- Ferrite Dark Grey (FE)*
- Heritage Brown (HB)*
- Bronze (BZ)*
- White (WT)*
- Black (BT)*
- Sandstone Grey (SG)*

**Add suffix to end of number to identify finish (EX. 1E0995HB)*

MOUNTING INSTALLATION INSTRUCTIONS



JUPITER MINI PROJECTOR

PHOTOMETRY

IES FILES WATTAGE AND EFFICIENCY CALCULATIONS BASED WITH SUPPLIED DRIVER

SPOT



	3000K	H(m)	D(m)	Emax(lx)		
	Ra90		19°			
Fixture Power	3W	1	0.33	675		
Source Flux	170lm	2	0.65	169		
Fixture Flux	101lm	3	0.98	75		
Efficacy	37lm/W	4	1.31	42		
TS1415	Imax=3977cd/klm	Imax	675cd	5	1.63	27



	4000K	H(m)	D(m)	Emax(lx)		
	Ra90		19°			
Fixture Power	3W	1	0.33	722		
Source Flux	182lm	2	0.65	180		
Fixture Flux	108lm	3	0.98	80		
Efficacy	40lm/W	4	1.31	45		
TS1415	Imax=3977cd/klm	Imax	722cd	5	1.63	29

FLOOD



	3000K	H(m)	D(m)	Emax(lx)		
	Ra90		24°			
Fixture Power	3W	1	0.42	417		
Source Flux	170lm	2	0.85	104		
Fixture Flux	95lm	3	1.27	46		
Efficacy	35lm/W	4	1.69	26		
TS1416	Imax=2457cd/klm	Imax	417cd	5	2.11	17



	4000K	H(m)	D(m)	Emax(lx)		
	Ra90		24°			
Fixture Power	3W	1	0.42	446		
Source Flux	182lm	2	0.85	111		
Fixture Flux	102lm	3	1.27	50		
Efficacy	38lm/W	4	1.69	28		
TS1416	Imax=2457cd/klm	Imax	446cd	5	2.11	18

WIDE FLOOD



	3000K	H(m)	D(m)	Emax(lx)		
	Ra90		32°			
Fixture Power	3W	1	0.57	241		
Source Flux	170lm	2	1.15	60		
Fixture Flux	93lm	3	1.72	27		
Efficacy	34lm/W	4	2.30	15		
TS1417	Imax=1421cd/klm	Imax	241cd	5	2.87	10



	4000K	H(m)	D(m)	Emax(lx)		
	Ra90		32°			
Fixture Power	3W	1	0.57	263		
Source Flux	185lm	2	1.15	66		
Fixture Flux	101lm	3	1.72	29		
Efficacy	37lm/W	4	2.30	16		
TS1417	Imax=1421cd/klm	Imax	263cd	5	2.87	11