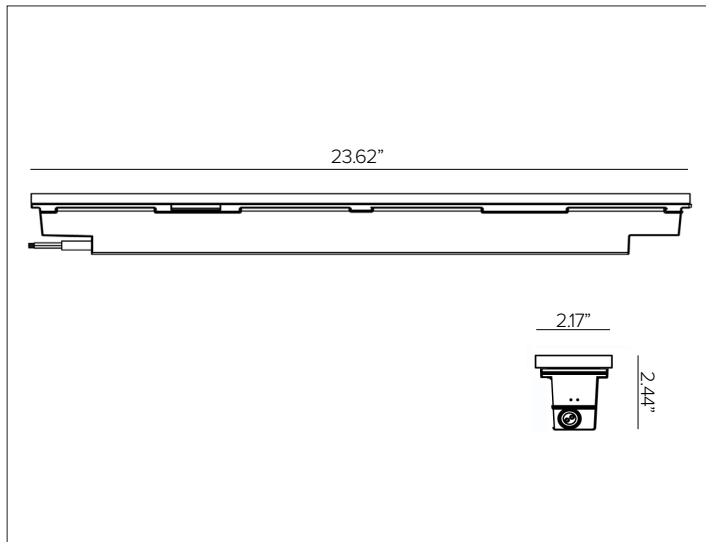


MINI MERCURE

Direct View Linear LED Inground Luminaire



CONCEPT

Direct view linear inground luminaire with monochromatic LEDs.

MECHANICAL CHARACTERISTICS

Housing	23.61"L x 2.44"D
Materials	Black anodized marine grade cathaphoresis ^A die-cast aluminum body with anti-slip white silk-screen tempered glass, sealed to the fixture body for flush recessed mounting.
Power Connection	Pre-cabled with 10' Belden direct burial 18ga 2 Conductor Cable with IP68 Quick disconnects. See inline connection configuration page for installation detail.
Mounting	Installation sleeve required for inground flush mounting, see available options.
Weight	4.0lbs
Protection	IP68 ^B / IP69K
Impact	IK09
Load Rating	Resistant to static loads up to 2,697lbs and dynamic loads up to 4,496lbs in flush mounted cement and pavement installations.

CERTIFICATIONS

cULus Class 2 Wet Location Listed E479873
 Tested in accordance with LM-79-08
 Compliant for California installations.
 RoHS3 EU 215/863

WARRANTY

5 year limited warranty.
^A Fixture body complete with marine grade cathaphoresis suitable for use in marine grade environments. Stainless steel trim will need to be maintained and cleaned regularly to avoid mineral deposits. Not to be in direct contact with salt or corrosive agents for extended periods of time.
^B Temporary immersion up to 24 hours at a max depth of 2 meters. Installation of fixture requires proper drainage to prevent any standing water. Should not be used for permanent submersion.

SUSTAINABILITY

Luminaire designed for disposal/recycling at end-of-life. Replaceable LED light source and control gear by a Targetti technician.

ELECTRICAL CHARACTERISTICS

Power Supply	Remote Class 2 110V-277VAC to 24V DC electronic power supply. 0-10v dimming options also available, see remote power supply pages. Note: a maximum of 8 fixtures can be attached together on a single Class 2, 4 amp circuit output.
Wattage	9W
Voltage	24V DC

SOURCE

Linear LED board.

TM30	CCT (Nominal)	CRI	Rf	Rg	SDCM
	3000K	80	82.9	97	2
	4000K	80	82.6	95.7	2

Ra90 available upon request

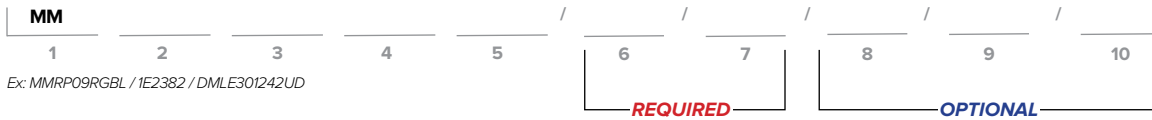
OPTIC

Anti-slip white silk-screen tempered glass

Beam	VWFL
Delivered Lumens	3000K 290Lm 4000K 309Lm
Efficacy	34Lm/W max. Refer to photometric graphs for specific values.
Lifetime	L80/B10 60,000hrs at max TA +25°C
Photobiological Classification	Low risk photobiological safety RG1

MINI MERCURE

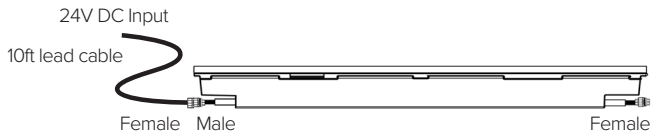
SPECIFICATION INFORMATION



1 - PRODUCT CODE	2 - DRIVER	3 - OUTPUT	4 - KELVIN	5 - CABLE	6 - INSTALLATION	7 - POWER SUPPLY
MM — MINI MERCURE	RP — Remote Power	09 — 9W	30 — 3000K 40 — 4000K	L — Lead C — Center E — End S — Solo	Insertion Sleeve See section for details	Power Supply See section for details
8 - LEAD CABLE	9 - JUMPER CABLE	10 - INSTALLATION ACCESSORY				
Additional Lead Cable See section for details	Additional Jumper Cable See section for details	Glass Suction Remover See section for details				

MINI MERCURE

5 – CABLE (REQUIRED)



Lead – 10ft lead power cable to with male and female IP68 connectors.

Part No. **L**



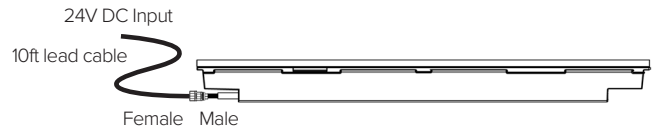
Center – Male and female IP68 connectors.

Part No. **C**



End – Male IP68 connector.

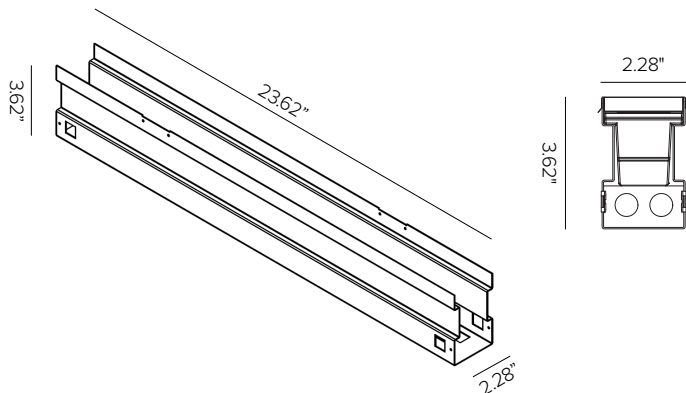
Part No. **E**



Solo – 10ft lead power cable to male IP68 connector.

Part No. **S**

6 – INSTALLATION (REQUIRED)



MINI MERCURE aluminum installation sleeve, supplied with 2ea removable end caps. Complete with internal supports for installations in concrete, single or continuous row applications.

Part No. **1E2382**

MINI MERCURE

7 - POWER SUPPLY (REQUIRED)

ENCLOSURE								
Part No.	Wattage	Control	Dim Range	Rating	In / Out Voltage	Certification	Dimensions (Enclosure)	Description
DMLE301242UD	30W	MLV / ELV / 0-10V / TRIAC	MLV / ELV 1% 0-10V 0.1%	NEMA3R	120-277V / 24V	UL Class 2	4.47" X 6.79" X 1.38"	EMCOD MLE-UD electronic driver with wiring compartment.
DMLE601242UD	60W	MLV / ELV / 0-10V / TRIAC	MLV / ELV 1% 0-10V 0.1%	NEMA3R	120-277V / 24V	UL Class 2	4.47" X 6.79" X 1.38"	EMCOD MLE-UD electronic driver with wiring compartment.
DELI601241CPWM	60W	0-10V	5%	NEMA1	120-277V / 24V	UL Class 2	10" x 10" x 4"	MEANWELL electronic PWM driver.
DELI901241CPWM	90W	0-10V	5%	NEMA1	120-277V / 24V	UL Class 2	10" x 10" x 4"	MEANWELL electronic PWM driver.
DMLE961242UD	96W	MLV / ELV / 0-10V / TRIAC	MLV / ELV 1% 0-10V 0.1%	NEMA3R	120-277V / 24V	UL Class 2	5.16" X 7.73" X 1.54"	EMCOD MLE-UD electronic driver with wiring compartment.
DELI1802242CPWM	2X90W	0-10V	5%	NEMA1	120-277V / 24V	UL Class 2	12" x 12" x 4"	MEANWELL electronic PWM driver.
DMLE1922242UD	2X96W	MLV / ELV / 0-10V / TRIAC	MLV / ELV 1% 0-10V 0.1%	NEMA3R	120-277V / 24V	UL Class 2	5.04" X 10.94" X 1.81"	EMCOD MLE-UD electronic driver with wiring compartment.
DELI2703243CPWM	3X90W	0-10V	5%	NEMA1	120-277V / 24V	UL Class 2	12" x 12" x 4"	MEANWELL electronic PWM driver.
DMLE2882242UD	3X96W	MLV / ELV / 0-10V / TRIAC	MLV / ELV 1% 0-10V 0.1%	NEMA3R	120-277V / 24V	UL Class 2	5.04" X 10.94" X 1.81"	Magnitude SOLIDrive electronic driver with built in junction box.

STANDALONE								
Part No.	Wattage	Control	Dim Range	Rating	In / Out Voltage	Certification	Dimensions (Standalone)	Description
DEL60PWM	60W	0-10V	5%	IP67	120-277V / 24V	UL Class 2	5.9" X 2.09" X 1.38"	MEANWELL electronic PWM driver. UL listed enclosure provided by others.
DEL90PWM	90W	0-10V	5%	IP67	120-277V / 24V	UL Class 2	6.73" X 2.48" X 1.48"	MEANWELL electronic PWM driver. UL listed enclosure provided by others.

MAX FIXTURES PER DRIVER

Fixture Wattage	Driver Wattage							
	30W	60W	90W	96W	2X96W	2X96W	3X90W	3X96W
9W	2	5	8	8	8+8	8+8	8+8+8	8+8+8

MINI MERCURE

8 – ADDITIONAL LEAD CONNECTION CABLE (OPTIONAL)



Additional IP68 lead cable. Direct burial fixture cable with IP68 female IP68 connector. Cable can be cut down to specific length in the field.

<i>Length</i>	10ft	25ft	50ft
<i>Part No.</i>	MMWHTLEAD-10	MMWHTLEAD-25	MMWHTLEAD-50

9 – JUMPER CONNECTION CABLE (OPTIONAL)



IP68 jumper connector cable. Direct burial cable for fixture to fixture connection with IP68 male and female connectors.

<i>Length</i>	5ft	10ft	20ft
<i>Part No.</i>	MMWHTJUMP-5	MMWHTJUMP-10	MMWHTJUMP-20

10 – INSTALLATION ACCESSORY (OPTIONAL)



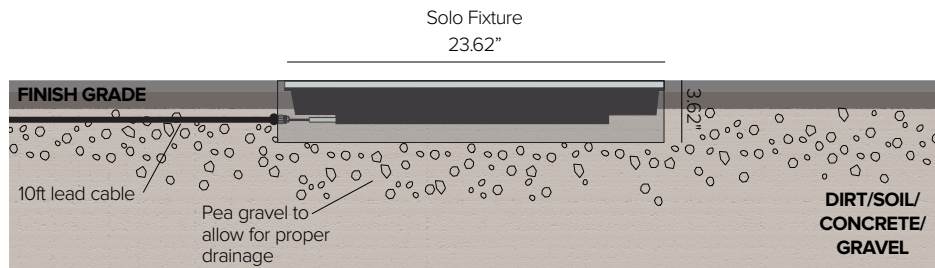
Glass suction removal tool. Helpful one per 20 fixtures.

<i>Part No.</i>	1E0388
-----------------	---------------

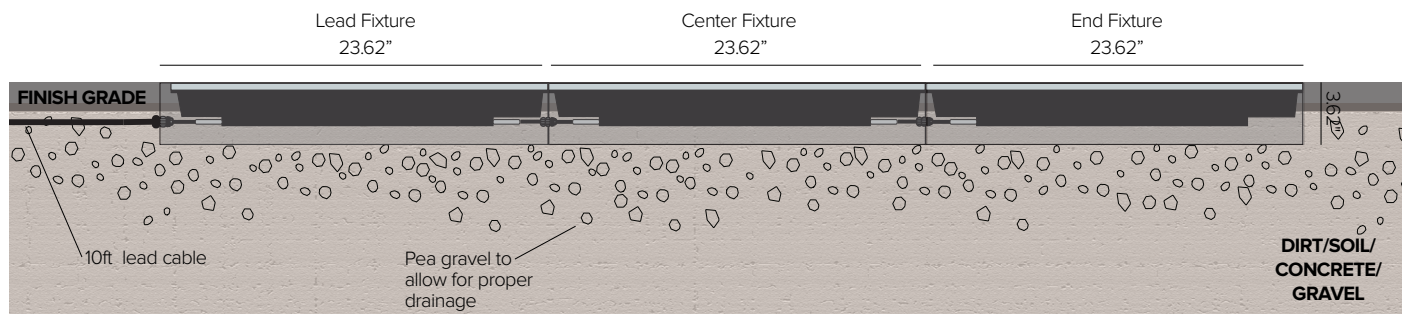
MINI MERCURE

INSTALLATION DIAGRAM

SOLO MOUNTING CONFIGURATION



IN-LINE CONTINUOUS ROW MOUNTING CONFIGURATION



PHOTOMETRY

