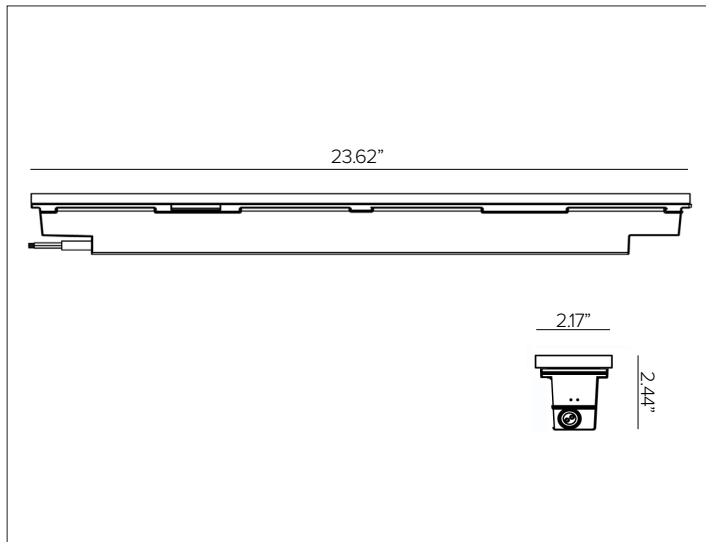


# MINI MERCURE RGB

## Direct View Linear Dynamic Color Changing LED Inground Luminaire



### CONCEPT

Direct view linear inground luminaire with dynamic color changing LEDs.

### MECHANICAL CHARACTERISTICS

<b>Housing</b>	23.61"L x 2.44"D
<b>Materials</b>	Black anodized marine grade cathaphoresis <sup>A</sup> die-cast aluminum body with anti-slip white silk-screen tempered glass, sealed to the fixture body for flush recessed mounting.
<b>Power Connection</b>	Pre-cabled with 10' Belden direct burial 18ga 2 Conductor Cable with IP68 Quick disconnects. See inline connection configuration page for installation detail.
<b>Mounting</b>	Installation sleeve required for inground flush mounting, see available options.
<b>Weight</b>	4.0lbs
<b>Protection</b>	IP68 <sup>B</sup> / IP69K
<b>Impact</b>	IK09
<b>Load Rating</b>	Resistant to static loads up to 2,697lbs and dynamic loads up to 4,496lbs in flush mounted cement and pavement installations.

### CERTIFICATIONS

cULus Class 2 Wet Location Listed E479873  
 Tested in accordance with LM-79-08  
 Compliant for California installations.  
 RoHS3 EU 215/863

### WARRANTY

5 year limited warranty.  
<sup>A</sup> Fixture body complete with marine grade cathaphoresis suitable for use in marine grade environments. Stainless steel trim will need to be maintained and cleaned regularly to avoid mineral deposits. Not to be in direct contact with salt or corrosive agents for extended periods of time.  
<sup>B</sup> Temporary immersion up to 24 hours at a max depth of 2 meters. Installation of fixture requires proper drainage to prevent any standing water. Should not be used for permanent submersion.

### SUSTAINABILITY

Luminaire designed for disposal/recycling at end-of-life. Replaceable LED light source and control gear by a Targetti technician.

### ELECTRICAL CHARACTERISTICS

<b>Power Supply</b>	Remote Class 2 power supply with DMX/RGBW interface required, see available options. Refer to Targetti <a href="#">Onsite Services</a> for additional programing and installation support.
<b>Wattage</b>	9W / 3Ch
<b>Voltage</b>	24V DC


### SOURCE

Linear LED board.

TM30	CCT (Nominal)	SDCM
	RGB	2

### OPTIC

Anti-slip white silk-screen tempered glass



<b>Beam</b>	<b>VWFL</b>
<b>Delivered Lumens</b>	<b>RGB 82Lm</b>
<b>Efficacy</b>	10Lm/W max. Refer to photometric graphs for specific values.
<b>Lifetime</b>	L80/B10 60,000hrs at max TA +25°C
<b>Photobiological Classification</b>	Low risk photobiological safety RG1

# MINI MERCURE RGB

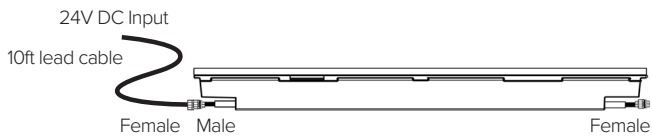
## SPECIFICATION INFORMATION



1 - PRODUCT CODE	2 - DRIVER	3 - OUTPUT	4 - KELVIN	5 - CABLE	6 - INSTALLATION	7 - POWER SUPPLY	8 - CONTROLLER
<b>MM</b> — MINI MERCURE	<b>RP</b> — Remote Power	<b>09</b> — 9W	<b>RGB</b> — RGB	<b>L</b> — Lead <b>C</b> — Center <b>E</b> — End <b>S</b> — Solo	<a href="#">Insertion Sleeve</a> See section for details	<a href="#">Power Supply</a> See section for details	<a href="#">DMX Programmable Controller</a> See section for details
9 - LEAD CABLE	10 - JUMPER CABLE	11 - INSTALLATION ACCESSORY					
<a href="#">Additional Lead Cable</a> See section for details	<a href="#">Additional Jumper Cable</a> See section for details	<a href="#">Glass Suction Remover</a> See section for details					

# MINI MERCURE RGB

## 5 – CABLE (REQUIRED)



Lead – 10ft lead power cable to with male and female IP68 connectors.

Part No. **L**



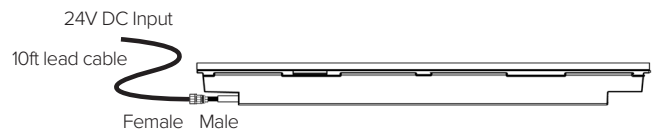
Center – Male and female IP68 connectors.

Part No. **C**



End – Male IP68 connector.

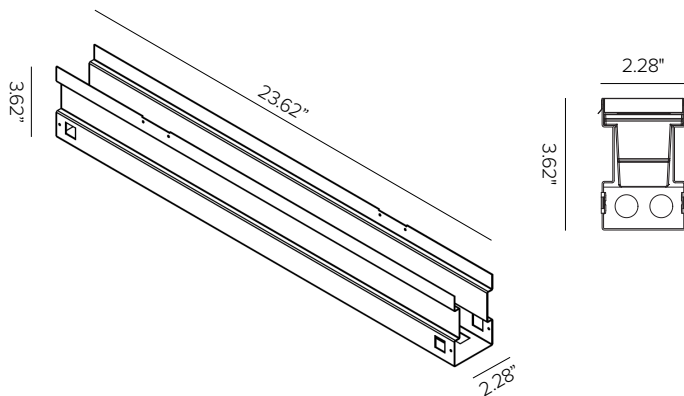
Part No. **E**



Solo – 10ft lead power cable to male IP68 connector.

Part No. **S**

## 6 – INSTALLATION (REQUIRED)



MINI MERCURE aluminum installation sleeve, supplied with 2ea removable end caps. Complete with internal supports for installations in concrete, single or continuous row applications.

Part No. **1E2382**

# MINI MERCURE RGB

## 7 - POWER SUPPLY (REQUIRED)





### ENCLOSURE

Part No.	Wattage	Control	Dim Range	Rating	In / Out Voltage	Certification	Dimensions (Enclosure)	Description
<b>DEDDX1001243CDMX</b>	100W	DMX	0%	NEMA3R	120-277V / 24V	UL Class 2	12" x 12" x 4"	EldoLED LINEARdrive electronic driver.
<b>DEDDX2002243CDMX</b>	2X100W	DMX	0%	NEMA3R	120-277V / 24V	UL Class 2	12" x 12" x 4"	EldoLED LINEARdrive electronic driver.

### MAX FIXTURES PER DRIVER

Fixture Wattage	Driver Wattage	
	100W	2X100W
9W	<b>8</b>	<b>8+8</b>

## 8 - CONTROL (OPTIONAL)

Part No.		Channels	Scenes	Zones	Rating	Voltage	Certification	Dimensions	Description
<b>TGDMXSLESAU9</b>		256	20	1	Indoor	5.5V DC	ETL, UL	5.3"W x 5.5"H x 1.9D	Nicolaudie Slesa smart DMX 1/2 universe programmable controller with easy to use software interface.
<b>TGDMXSLESAU11</b>		1024	5	99	Indoor	5VDC 120V AC <i>Plug in power supply included</i>	ETL	6.3" x 3.6" x 1.8"	Nicolaudie Slesa smart DMX interface, 2 DMX 512 universes, intuitive backlit keyboard programmable controller with easy to use software interface.
<b>TGDMXSTICKDE3B</b>		1024	10	500	Indoor	6-7V DC 120V AC <i>Plug in power supply included</i>	ETL	5.8" x 4.2" x 0.5"	Nicolaudie intelligent control keypad with glass touch sensitive graphic display, stand-alone DMX 512, 2 universe programmable controller with easy to use software interface. Black finish.
<b>TGDMXSTICKDE3W</b>		1024	10	500	Indoor	6-7V DC 120V AC <i>Plug in power supply included</i>	ETL	5.8" x 4.2" x 0.5"	Nicolaudie intelligent control keypad with glass touch sensitive graphic display, stand-alone DMX 512, 2 universe programmable controller with easy to use software interface. White finish.

# MINI MERCURE RGB

## 9 – ADDITIONAL LEAD CONNECTION CABLE (OPTIONAL)



Additional IP68 lead cable. Direct burial fixture cable with IP68 female IP68 connector. Cable can be cut down to specific length in the field.

<i>Length</i>	10ft	25ft	50ft
<i>Part No.</i>	<b>MMRGGLEAD-10</b>	<b>MMRGGLEAD-25</b>	<b>MMRGGLEAD-50</b>

## 10 – JUMPER CONNECTION CABLE (OPTIONAL)



IP68 jumper connector cable. Direct burial cable for fixture to fixture connection with IP68 male and female connectors.

<i>Length</i>	5ft	10ft	20ft
<i>Part No.</i>	<b>MMRGBJUMP-5</b>	<b>MMRGBJUMP-10</b>	<b>MMRGBJUMP-20</b>

## 11 – INSTALLATION ACCESSORY (OPTIONAL)



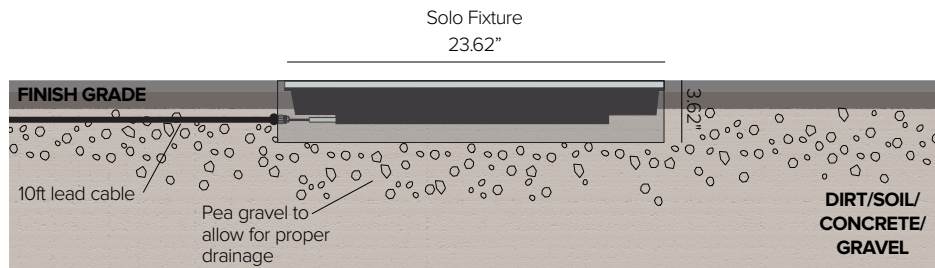
Glass suction removal tool. Helpful one per 20 fixtures.

<i>Part No.</i>	<b>1E0388</b>
-----------------	---------------

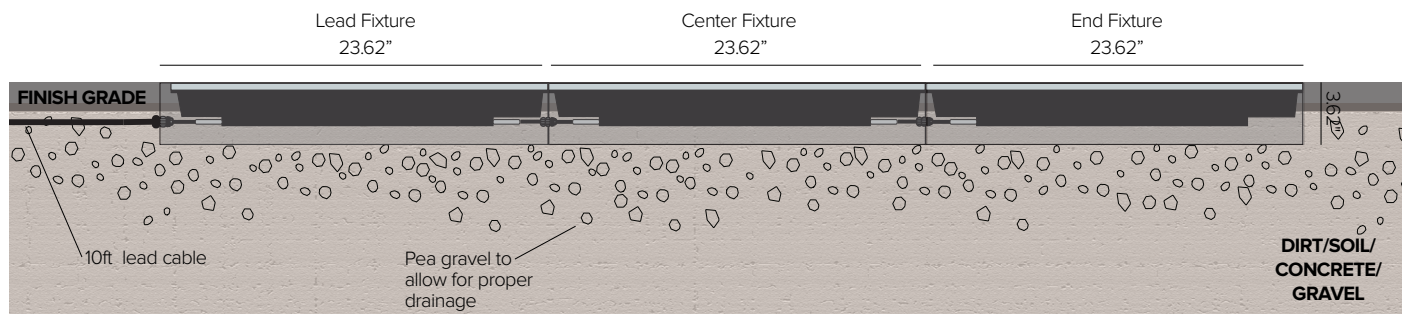
# MINI MERCURE RGB

## INSTALLATION DIAGRAM

### SOLO MOUNTING CONFIGURATION



### IN-LINE CONTINUOUS ROW MOUNTING CONFIGURATION



## PHOTOMETRY

		H(m)	D1(m)	D2(m)	E <sub>max</sub> (lx)	
			117°	129°		
Fixture Power	9W	1	3.27	4.16	25	
Source Flux	83lm	2	6.55	8.31	6	
Fixture Flux	82lm	3	9.82	12.47	3	
Efficacy	10lm/W	4	13.09	16.63	2	
TS775	I <sub>max</sub> =302cd/klm	I <sub>max</sub>	25cd	16.37	20.79	1