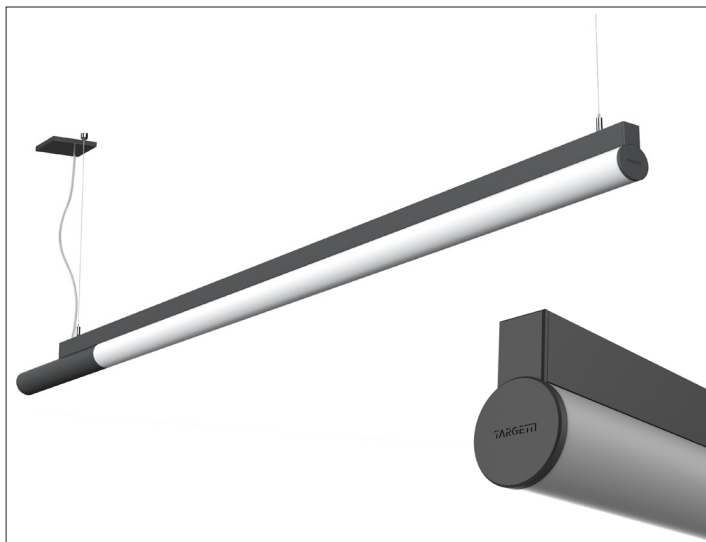
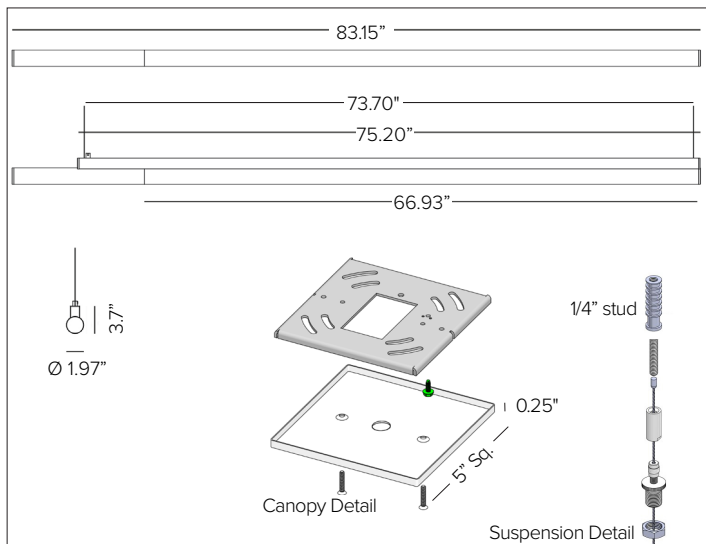


# OMEGA SUSPENSION

## Suspended LED Ceiling Fixture



Shown in Ferrite Grey finish.



### CONCEPT

Stand alone linear LED suspension with soft and enveloping light emission, capable of giving character to surroundings with a warm and efficient glow. Designed in collaboration with Gensler as Product Design Consultant.

### MECHANICAL CHARACTERISTICS

<b>Dimensions</b>	84.41" L x 2.8" W
<b>Materials</b>	Painted extruded aluminum body and optical unit with opal polycarbonate diffuser lens.
<b>Finish</b>	Matte smooth finish. ● Plaster White ● Deep Black ● Silver ● Ferrite Dark Grey
<b>Mounting</b>	Complete with square canopy in matte white finish and (2) 20ft stainless steel suspension cables with grip lock and one clear five conductor power/dimming cable. Universal 5" square canopy to be mounted over 4"x 4" junction box.
<b>Weight</b>	5.29lbs
<b>Protection</b>	IP20

### CERTIFICATIONS

cULus Listed  
Tested in accordance with LM-79-08.  
Energy efficient for California installations.  
RoHS3 EU 215/863

### WARRANTY

5 year limited warranty.

### SUSTAINABILITY

Luminaire designed for disposal/recycling at end-of-life. Replaceable LED light source and control gear by a Targetti technician.

### ELECTRICAL CHARACTERISTICS

<b>Power Supply</b>	Integrated 4/1 smart driver (Non-dimmable / 0-10V / Reverse Phase / Forward Phase).
<b>Wattage</b>	36W
<b>Voltage</b>	120-277V AC 50/60Hz

### SOURCE

Linear LED Boards.

TM30	CCT (Nominal)	CRI	Rf	Rg	SDCM
	2700K	90	90.9	100.1	3
	3000K	90	91.4	100.8	3
	3500K	90	90.3	100.4	3
	4000K	90	89.8	98.7	3

### OPTIC

Highly reflective white painted steel symmetric reflector with diffused light opal lens.



<b>Beam</b>	<b>102° x 164°</b>	
<b>Delivered Lumens</b>	<b>2700K</b>	2353Lm
	<b>3000K</b>	2371Lm
	<b>3500K</b>	2401Lm
	<b>4000K</b>	2431Lm
<b>Efficacy</b>	Up to 91 Lm/W	
<b>Lifetime</b>	L93/B10 >50,000hrs at max TA +25°C	
<b>Photobiological Classification</b>	Low risk photobiological safety RG1	

# OMEGA SUSPENSION

## SPECIFICATION INFORMATION



1 - PRODUCT CODE	2 - TYPE	3 - LENGTH	4 - DRIVER	5 - EMISSION	6 - DIFFUSER	7 - FINISH	8 - KELVIN
<b>OM</b> — OMEGA	<b>SU</b> — Suspension	<b>83</b> — 83.15" L	<b>41</b> — 4/1 Smart Dimming ( <i>Non-Dimming / 0-10V / Reverse Phase / Forward Phase</i> )	<b>DN</b> — Direct	<b>O</b> — Opal	<b>PW</b> — Plaster White <b>DB</b> — Deep Black <b>SI</b> — Silver <b>FE</b> — Ferrite Grey	<b>27</b> — 2700K <b>30</b> — 3000K <b>35</b> — 3500K <b>40</b> — 4000K

# OMEGA SUSPENSION

## PHOTOMETRY

### OPAL DIRECT

	2700K	H(m)	D1(m)	D2(m)	E <sub>max</sub> (lx)		
	Ra90		102°	164°			
	Fixture Power	27W	1	2.45	14.31	522	
	Source Flux	4314lm	2	4.90	28.63	131	
	Fixture Flux	2353lm	3	7.35	42.94	58	
	Efficacy	88lm/W	4	9.80	57.25	33	
TS1199	I <sub>max</sub> =121cd/klm	I <sub>max</sub>	522cd	5	12.25	71.57	21

	3000K	H(m)	D1(m)	D2(m)	E <sub>max</sub> (lx)		
	Ra90		102°	164°			
	Fixture Power	27W	1	2.45	14.31	526	
	Source Flux	4347lm	2	4.90	28.63	132	
	Fixture Flux	2371lm	3	7.35	42.94	58	
	Efficacy	88lm/W	4	9.80	57.25	33	
TS1199	I <sub>max</sub> =121cd/klm	I <sub>max</sub>	526cd	5	12.25	71.57	21

	3500K	H(m)	D1(m)	D2(m)	E <sub>max</sub> (lx)		
	Ra90		102°	164°			
	Fixture Power	27W	1	2.45	14.31	533	
	Source Flux	4403lm	2	4.90	28.63	133	
	Fixture Flux	2401lm	3	7.35	42.94	59	
	Efficacy	90lm/W	4	9.80	57.25	33	
TS1199	I <sub>max</sub> =121cd/klm	I <sub>max</sub>	533cd	5	12.25	71.57	21

	4000K	H(m)	D1(m)	D2(m)	E <sub>max</sub> (lx)		
	Ra90		102°	164°			
	Fixture Power	27W	1	2.45	14.31	540	
	Source Flux	4459lm	2	4.90	28.63	135	
	Fixture Flux	2431lm	3	7.35	42.94	60	
	Efficacy	91lm/W	4	9.80	57.25	34	
TS1199	I <sub>max</sub> =121cd/klm	I <sub>max</sub>	540cd	5	12.25	71.57	22