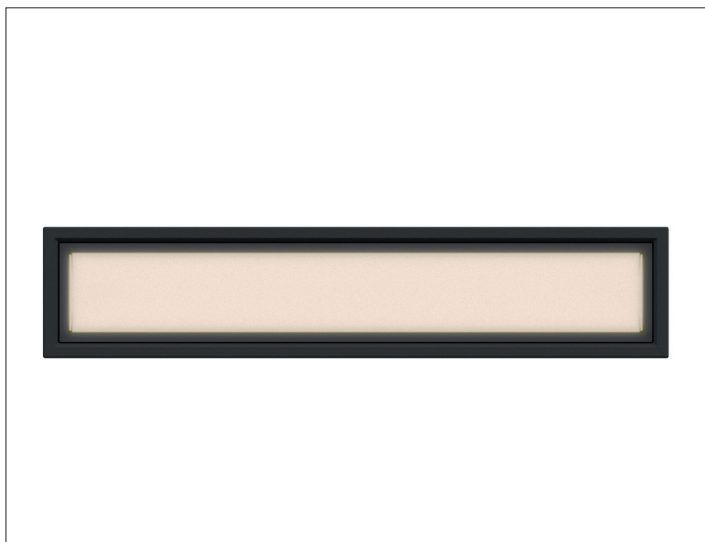
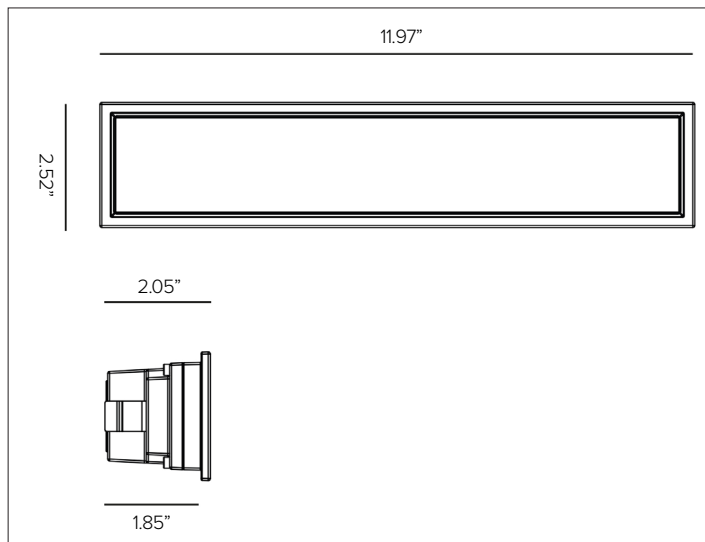


# ZEDGE LINE OPAL

## Recessed Direct View Linear Steplight



Shown in Ferrite Grey finish.



### CONCEPT

Recessed LED steplight for indoor and outdoor applications. Designed in collaboration with Gensler as Product Design Consultant.

### MECHANICAL CHARACTERISTICS

<b>Housing</b>	2.52"H x 11.97"W x 2.05"D
<b>Materials</b>	Die-cast anodized aluminum body and external powder coated frame. Screen-printed extra-clear tempered glass lens.
<b>Finish</b>	Textured finish. ● Ferrite Dark Grey   ● Heritage Brown   ● Bronze ● Black   ● White   ● Sandstone Grey
<b>Power Connection</b>	Pre-wired with 6" lead for direct line voltage and dimming connection.
<b>Mounting</b>	To be completed with installation back box for flush or semi-flush installations
<b>BUG</b>	BO-U1-GO
<b>Weight</b>	1.54lbs
<b>Protection</b>	IP66
<b>Impact</b>	IK08

### CERTIFICATIONS

cULus Wet Location Listed.  
 Tested in accordance with LM-79-08.  
 Compliant for California installations.  
 RoHS3 EU 215/863

### WARRANTY

5 year limited warranty

### SUSTAINABILITY

Luminaire designed for disposal/recycling at end-of-life. Replaceable LED light source and control gear by a Targetti technician.

### ELECTRICAL CHARACTERISTICS

<b>Power Supply</b>	Integrated 4/1 smart driver (Non-dimmable / 0-10V / Reverse Phase / Forward Phase). Dimmable to <10% via 0-10V or <15% via Phase.
<b>Wattage</b>	8W
<b>Voltage</b>	Universal Voltage 120-277V AC 50/60Hz
<b>Operating Temp.</b>	-25°C / +35°C

### SOURCE

LED High efficiency Board.

TM30	CCT (Nominal)	CRI	Rf	Rg	SDCM
	2700K	80	83	97.3	2
	3000K	80	82.9	97	2
	3500K	80	83.6	96.5	2
	4000K	84	82.6	95.7	2

*Ra90 available upon request*

### OPTIC

Tempered glass lens.



<b>Beam</b>	<b>VWF 116°</b>
<b>Delivered Lumens</b>	<b>2700K</b> 479Lm <b>3000K</b> 515Lm <b>3500K</b> 527Lm <b>4000K</b> 543Lm
<b>Efficacy</b>	68lm/W max. Refer to photometric graphs for specific values.
<b>Lifetime</b>	L95/B10 30,000hrs at max TA +25°C L91/B10 50,000hrs at max TA +25°C
<b>Photobiological Classification</b>	Low risk photobiological safety RG1

# ZEDGE LINE OPAL

## SPECIFICATION INFORMATION



1 - PRODUCT CODE	2 - DRIVER	3 - OPTICS	4 - FINISH	5 - WATTAGE	6 - KELVIN	7 - OPTIONAL
ZLO — ZEDGE LINE OPAL	41 — 4/1 Smart Dimming (Non-Dimming / 0-10V / Reverse Phase / Forward Phase)	VWF — Very Wide Flood	FE — Ferrite Dark Grey HB — Heritage Brown BZ — Bronze WT — White BT — Black SG — Sandstone Grey RAL — <a href="#">Custom RAL</a>	L2 — 8W	27 — 2700K 30 — 3000K 35 — 3500K 40 — 4000K	MG <sup>A</sup> — Marine Grade

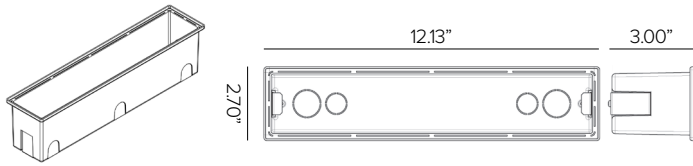
### 8 - INSTALLATION

Installation Box  
See section for details

<sup>A</sup>Marine Grade is recommended for use in environments with occasional exposure to salt air, reclaimed water, fertilizers, chemical cleaners, or frequent pressure washing (steam) cleaning. Fixture housing complete with marine grade cataphoresis suitable for use in marine grade environments. Not to be in direct contact with salt or corrosive agents for extended periods of time.

ZEDGE LINE OPAL

8 – INSTALLATION (REQUIRED)



PVC installation back box for flush or semi-flush installations, black finish. 3/4" and 1/2" knock-outs made for EMT connectors and conduit entry. Suitable for concrete pour, drywall, or stucco applications.

Part No. **1E3447**

# ZEDGE LINE OPAL

## PHOTOMETRY

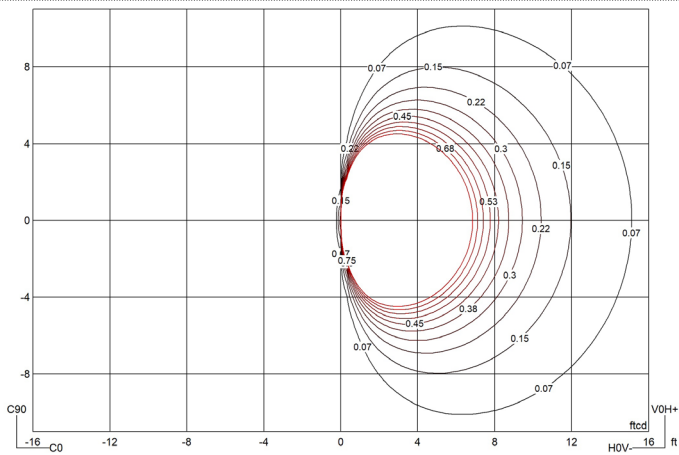
	2700K	H(m)	D(m)	Emax(lx)		
	Ra84		116°			
	Fixture Power	8W	1	3.19	164	
	Source Flux	815lm	2	6.38	41	
	Fixture Flux	481lm	3	9.57	18	
	Efficacy	60lm/W	4	12.76	10	
TS1182	I <sub>max</sub> =202cd/klm	I <sub>max</sub>	164cd	5	15.95	7

	3000K	H(m)	D(m)	Emax(lx)		
	Ra84		116°			
	Fixture Power	8W	1	3.19	177	
	Source Flux	876lm	2	6.38	44	
	Fixture Flux	517lm	3	9.57	20	
	Efficacy	65lm/W	4	12.76	11	
TS1182	I <sub>max</sub> =202cd/klm	I <sub>max</sub>	177cd	5	15.95	7

	3500K	H(m)	D(m)	Emax(lx)		
	Ra84		116°			
	Fixture Power	8W	1	3.19	181	
	Source Flux	897lm	2	6.38	45	
	Fixture Flux	529lm	3	9.57	20	
	Efficacy	66lm/W	4	12.76	11	
TS1182	I <sub>max</sub> =202cd/klm	I <sub>max</sub>	181cd	5	15.95	7

	4000K	H(m)	D(m)	Emax(lx)		
	Ra84		116°			
	Fixture Power	8W	1	3.19	186	
	Source Flux	924lm	2	6.38	47	
	Fixture Flux	545lm	3	9.57	21	
	Efficacy	68lm/W	4	12.76	12	
TS1182	I <sub>max</sub> =202cd/klm	I <sub>max</sub>	186cd	5	15.95	7

ISOLUX DIAGRAM



MOUNTING HEIGHT = 18"

LCS GRAPH

