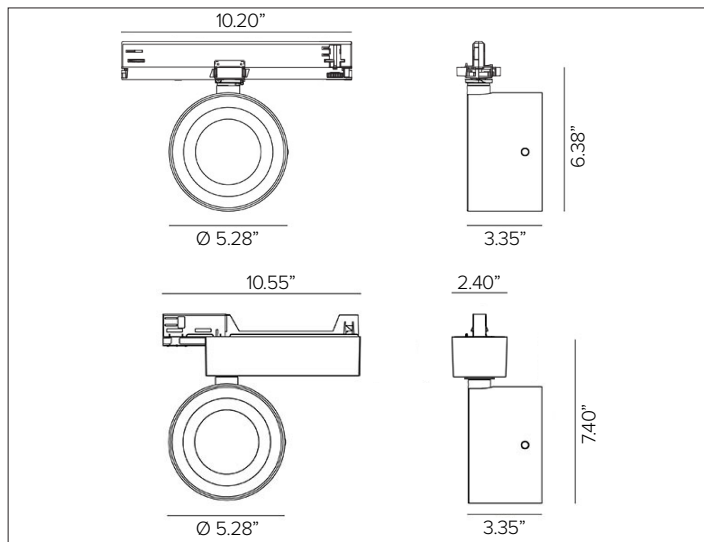


ZENO MEDIUM

Professional Track Projector



Left to right: ZENO MEDIUM 4/1 driver version shown in Plaster White finish; ZENO MEDIUM Casambi driver version shown in Deep Black finish.



CONCEPT

Professional LED track projector.

MECHANICAL CHARACTERISTICS

| | |
|----------------------|---|
| Dimensions | 5.28" Dia. |
| Materials | Die cast aluminum finished body. |
| Finish | ● Plaster White ● Deep Black |
| Functionality | Fixture can be vertically adjusted from 0° to -90° and horizontally up to 350° with secure aim locking system. |
| Mounting | EUROSTANDARD PLUS Track , sold separately. The fixture can be vertically adjusted from 0° to 90° and horizontally up to 355° with secure locking. |
| Weight | 2.43lbs |
| Protection | IP20 |

CERTIFICATIONS

cULus Listed.
 Tested in accordance with LM-79-08.
 Compliant with California energy regulations.
 RoHS3 EU 215/863

WARRANTY

5 year limited warranty.

SUSTAINABILITY

Luminaire designed for disposal/recycling at end-of-life. Replaceable LED light source and control gear by a Targetti technician.

ELECTRICAL CHARACTERISTICS

| | |
|---------------------|--|
| Power Supply | Integrated 0–10V dimmable or integrated electronic power supply for wireless bluetooth Casambi control. |
| Wattage | NSP: 20W / SP, FL, MWFL, WFL, WW: 29W Nominal. |
| Voltage | 120V AC 50/60Hz |
| Control | Wireless bluetooth control through Casambi app interface for individual fixture control. Refer to Targetti LMS (Light Management System) for detailed information. |

SOURCE

High efficiency LED Chip on Board.

| TM30 | CCT (Nominal) | CRI | Rf | Rg | SDCM |
|------|---------------|-----|----|-----|------|
| | 2700K | 97 | 94 | 103 | 2 |
| | 3000K | 97 | 95 | 93 | 2 |
| | 3500K | 97 | 93 | 99 | 2 |
| | 4000K | 97 | 92 | 102 | 2 |

OPTIC

Optical system is dependent on beam angle. NSP version is an indirect optic composed of an LED module directed towards a reflector with heat-pipe dissipation and highly reflective anodized aluminum parabolic reflector with transparent PMMA refractive screen. SP / FL versions composed of a hybrid optic with an anodized mirrored aluminum reflector, optical glass lens and black anodized aluminum holder with PMMA holographic filter. MWFL / WFL versions composed of convex facets in highly reflective anodized aluminum and a PMMA holographic filter. WW version composed of a highly reflective mirrored anodized aluminum optic with PMMA holographic filter and a painted black polycarbonate holder.

| Beam | NSP 9° | SP 16° | FL 25° | MWFL 34° | WFL 42° | WW 34°x54° |
|-------------------------|--|--|-----------|-------------|------------|---------------|
| Delivered Lumens | 3000K 1308Lm 1719Lm 1554Lm 2128Lm 2136Lm 1473Lm | 4000K 1125Lm 1776Lm 1605Lm 2198Lm 2207Lm 1521Lm | | | | |

For 2700K lumen values use multiplier of 0.96 from 3000K For 3500K lumen values use multiplier of 1.02 from 3000K.

| | |
|-----------------|--|
| Efficacy | 79Lm/W max. Refer to photometric graphs for specific values. |
| Lifetime | NSP: L92/B10 >30,000hrs at max TA +25°C L89/B10 >50,000hrs at max TA +25°C SP/FL/MWFL/WFL/WW: L92/B10 >30,000hrs at max TA +25°C L90/B10 >50,000hrs at max TA +25°C |

Photobiological Classification Low risk photobiological safety RG1

ZENO MEDIUM

SPECIFICATION INFORMATION



Ex: ZOM41PWSPL230

| 1 - PRODUCT CODE | 2 - DRIVER | 3 - FINISH | 4 - OPTICS | 5 - WATTAGE | 5 - KELVIN | 6 - RAIL & DRIVER |
|-------------------|--|---|---|------------------------------------|--|--|
| ZOM — ZENO Medium | 10 — 0-10V CA — CASAMBI | PW — Plaster White DB — Deep Black | NS — NSP 9° SP — SP 16° FL — FL 25° MF — MWFL 34° WF — WFL 42° WW — WW 34° X 54° | L1 — 20W L2 — 29W | 27 — 2700K 30 — 3000K 35 — 3500K 40 — 4000K | REQUIRED See EUROSTANDARD PLUS TRACK spec sheet for specification information. |

7 - OPTICAL ACCESSORIES

- [Accessory Holder Ring](#)
See section for details
- [Blade Light Linear Spread Lens](#)
See section for details
- [Anti-glare Louver](#)
See section for details
- [Adjustable Barn Doors](#)
See section for details
- [Asymmetric Snoot](#)
See section for details
- [Cut-off](#)
See section for details

OPTIC VERSIONS

NSP OPTIC ONLY



SP / FL / MWFL / WFL OPTICS ONLY



WW OPTIC ONLY



ZENO MEDIUM

7 – OPTICAL ACCESSORIES (OPTIONAL)

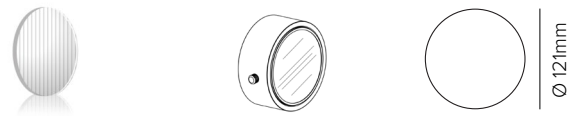
MAXIMUM OF ONE ACCESSORY PER FIXTURE.



Aluminum accessory holder ring. **Required with the use of all optical accessories.**
Not compatible with WW optic.

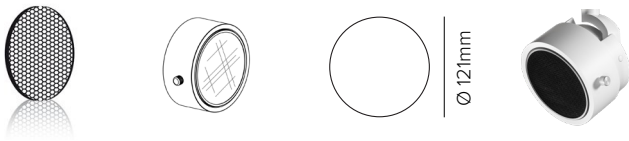
Finish Plaster White Deep Black

Part No. **1T6059** **1T6501**



Blade of Light® linear spread lens. PMMA holographic filter for a blade of light effect.
To be completed with accessory holder ring. Not compatible with WW optic.

Part No. **1T6060**



Anti-glare louver. Lacquered metal honeycomb structure. **To be completed with accessory holder ring. Not compatible with WW optic.**

Finish Deep Black

Part No. **1T6061**



Cut-off made of steel painted black. **To be completed with accessory holder ring. Not compatible with WW optic.**

Finish Deep Black

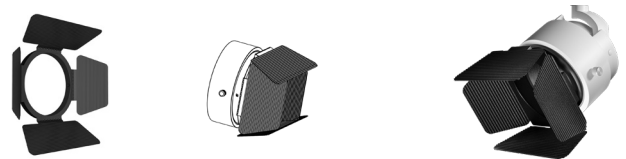
Part No. **1T6062**



Asymmetric cut-off, painted steel. **To be completed with accessory holder ring. Not compatible with WW optic.**

Finish Deep Black

Part No. **1T6063**



Adjustable barn door, painted steel. **To be completed with accessory holder ring. Not compatible with WW optic.**

Finish Deep Black

Part No. **1T6064**

ZENO MEDIUM

PHOTOMETRY

NARROW SPOT

| | | | | | | |
|--------|-------------------------------|------------------|---------|-----------------------|-------|------|
| | 3000K | H(m) | D(m) | E _{max} (lx) | | |
| | Ra97 | | | 9° | | |
| | Fixture Power | 20W | 1 | 0.15 | 44136 | |
| | Source Flux | 2211lm | 2 | 0.31 | 11034 | |
| | Fixture Flux | 1308lm | 3 | 0.46 | 4904 | |
| | Efficacy | 65lm/W | 4 | 0.62 | 2759 | |
| TS1219 | I _{max} =19964cd/klm | I _{max} | 44136cd | 5 | 0.77 | 1765 |

| | | | | | | |
|--------|-------------------------------|------------------|---------|-----------------------|-------|------|
| | 4000K | H(m) | D(m) | E _{max} (lx) | | |
| | Ra97 | | | 9° | | |
| | Fixture Power | 20W | 1 | 0.15 | 37957 | |
| | Source Flux | 1901lm | 2 | 0.31 | 9489 | |
| | Fixture Flux | 1125lm | 3 | 0.46 | 4217 | |
| | Efficacy | 56lm/W | 4 | 0.62 | 2372 | |
| TS1219 | I _{max} =19964cd/klm | I _{max} | 37957cd | 5 | 0.77 | 1518 |

SPOT

| | | | | | | |
|--------|------------------------------|------------------|---------|-----------------------|-------|-----|
| | 3000K | H(m) | D(m) | E _{max} (lx) | | |
| | Ra97 | | | 16° | | |
| | Fixture Power | 28W | 1 | 0.27 | 17721 | |
| | Source Flux | 2602lm | 2 | 0.55 | 4430 | |
| | Fixture Flux | 1719lm | 3 | 0.82 | 1969 | |
| | Efficacy | 61lm/W | 4 | 1.10 | 1108 | |
| TS1220 | I _{max} =6811cd/klm | I _{max} | 17721cd | 5 | 1.37 | 709 |

| | | | | | | |
|--------|------------------------------|------------------|---------|-----------------------|-------|-----|
| | 4000K | H(m) | D(m) | E _{max} (lx) | | |
| | Ra97 | | | 16° | | |
| | Fixture Power | 28W | 1 | 0.27 | 18307 | |
| | Source Flux | 2688lm | 2 | 0.55 | 4577 | |
| | Fixture Flux | 1776lm | 3 | 0.82 | 2034 | |
| | Efficacy | 63lm/W | 4 | 1.10 | 1144 | |
| TS1220 | I _{max} =6811cd/klm | I _{max} | 18307cd | 5 | 1.37 | 732 |

FLOOD

| | | | | | | |
|--------|------------------------------|------------------|--------|-----------------------|------|-----|
| | 3000K | H(m) | D(m) | E _{max} (lx) | | |
| | Ra97 | | | 32° | | |
| | Fixture Power | 28W | 1 | 0.56 | 5622 | |
| | Source Flux | 2602lm | 2 | 1.13 | 1405 | |
| | Fixture Flux | 1554lm | 3 | 1.69 | 625 | |
| | Efficacy | 55lm/W | 4 | 2.26 | 351 | |
| TS1221 | I _{max} =2161cd/klm | I _{max} | 5622cd | 5 | 2.82 | 225 |

| | | | | | | |
|--------|------------------------------|------------------|--------|-----------------------|------|-----|
| | 4000K | H(m) | D(m) | E _{max} (lx) | | |
| | Ra97 | | | 32° | | |
| | Fixture Power | 28W | 1 | 0.56 | 5808 | |
| | Source Flux | 2688lm | 2 | 1.13 | 1452 | |
| | Fixture Flux | 1605lm | 3 | 1.69 | 645 | |
| | Efficacy | 57lm/W | 4 | 2.26 | 363 | |
| TS1221 | I _{max} =2161cd/klm | I _{max} | 5808cd | 5 | 2.82 | 232 |

MEDIUM WIDE FLOOD

| | | | | | | |
|--------|------------------------------|------------------|--------|-----------------------|------|-----|
| | 3000K | H(m) | D(m) | E _{max} (lx) | | |
| | Ra97 | | | 46° | | |
| | Fixture Power | 28W | 1 | 0.84 | 3642 | |
| | Source Flux | 2602lm | 2 | 1.68 | 911 | |
| | Fixture Flux | 2128lm | 3 | 2.52 | 405 | |
| | Efficacy | 76lm/W | 4 | 3.37 | 228 | |
| TS1222 | I _{max} =1417cd/klm | I _{max} | 3687cd | 5 | 4.21 | 146 |

| | | | | | | |
|--------|------------------------------|------------------|--------|-----------------------|------|-----|
| | 4000K | H(m) | D(m) | E _{max} (lx) | | |
| | Ra97 | | | 46° | | |
| | Fixture Power | 28W | 1 | 0.84 | 3763 | |
| | Source Flux | 2688lm | 2 | 1.68 | 941 | |
| | Fixture Flux | 2198lm | 3 | 2.52 | 418 | |
| | Efficacy | 79lm/W | 4 | 3.37 | 235 | |
| TS1222 | I _{max} =1417cd/klm | I _{max} | 3809cd | 5 | 4.21 | 151 |

WIDE FLOOD

| | | | | | | |
|--------|-----------------------------|------------------|--------|-----------------------|------|-----|
| | 3000K | H(m) | D(m) | E _{max} (lx) | | |
| | Ra97 | | | 59° | | |
| | Fixture Power | 28W | 1 | 1.12 | 2590 | |
| | Source Flux | 2602lm | 2 | 2.24 | 648 | |
| | Fixture Flux | 2136lm | 3 | 3.36 | 288 | |
| | Efficacy | 76lm/W | 4 | 4.48 | 162 | |
| TS1223 | I _{max} =996cd/klm | I _{max} | 2592cd | 5 | 5.60 | 104 |

| | | | | | | |
|--------|-----------------------------|------------------|--------|-----------------------|------|-----|
| | 4000K | H(m) | D(m) | E _{max} (lx) | | |
| | Ra97 | | | 59° | | |
| | Fixture Power | 28W | 1 | 1.12 | 2676 | |
| | Source Flux | 2688lm | 2 | 2.24 | 669 | |
| | Fixture Flux | 2207lm | 3 | 3.36 | 297 | |
| | Efficacy | 79lm/W | 4 | 4.48 | 167 | |
| TS1223 | I _{max} =996cd/klm | I _{max} | 2677cd | 5 | 5.60 | 107 |

WALL WASHER

| | | | | | | | |
|--------|-----------------------------|------------------|--------|-------|-----------------------|------|----|
| | 3000K | H(m) | D1(m) | D2(m) | E _{max} (lx) | | |
| | Ra97 | | | | 34° 54° | | |
| | Fixture Power | 28W | 1 | 1.06 | 1.16 | 1335 | |
| | Source Flux | 2602lm | 2 | 2.11 | 2.33 | 334 | |
| | Fixture Flux | 1473lm | 3 | 3.17 | 3.49 | 148 | |
| | Efficacy | 53lm/W | 4 | 4.23 | 4.65 | 83 | |
| TS1224 | I _{max} =745cd/klm | I _{max} | 1939cd | 5 | 5.28 | 5.81 | 53 |

| | | | | | | | |
|--------|-----------------------------|------------------|--------|-------|-----------------------|------|----|
| | 4000K | H(m) | D1(m) | D2(m) | E _{max} (lx) | | |
| | Ra97 | | | | 34° 54° | | |
| | Fixture Power | 28W | 1 | 1.06 | 1.16 | 1379 | |
| | Source Flux | 2688lm | 2 | 2.11 | 2.33 | 345 | |
| | Fixture Flux | 1521lm | 3 | 3.17 | 3.49 | 153 | |
| | Efficacy | 54lm/W | 4 | 4.23 | 4.65 | 86 | |
| TS1224 | I _{max} =745cd/klm | I _{max} | 2003cd | 5 | 5.28 | 5.81 | 55 |