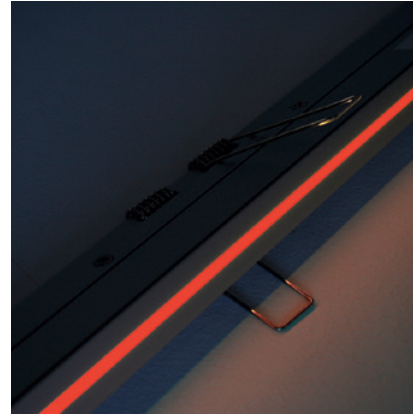


Linear

Groove IN 101 RGB Fixture Guide

KKDÖ

Indoor | Recessed | RGB output

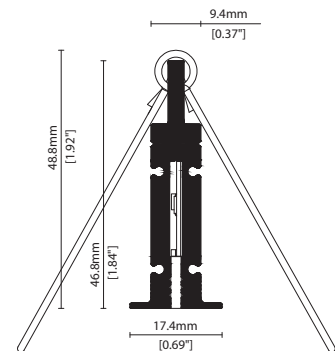


Key applications

- ✓ Cabinet/Furniture
- ✓ Interior
- ✓ Orientation lighting
- ✓ Special effect

Key features

- ✓ Custom lengths
- ✓ Decorative
- ✓ Diffusion: Homogenous
- ✓ Direct view
- ✓ Form factor: Small
- ✓ IP40
- ✓ IP65
- ✓ RGB
- ✓ Thin light line



Linear

Groove IN 101 RGB

Specification sheet



Dimension	H46.8/W17.4/L115-1015mm (H1.84/W0.69/L4.53-39.96in) (Excluding spring clips)
PCB increment	100mm increment/1000mm max (3.94in increment/39.37in max)
Chip	Everlight
Beam angle	110° (Diffused Cover)
Colours	Red 621-633nm/Blue 465-475nm/Green 515-525nm
Bin/Step	12nm tolerance
CRI	N/A
Lifetime	20,000 hours @ 25°C (20,000 hours @ 77°F)
Operating temp	T _a = -25 to 40°C (T _c max = 57°C) T _a = -13 to 104°F (T _c max = 134.6°F)
IP rating	IP40/IP65
Finish	Silver anodised
Cover/lens	Diffused
Mounting	Recessed mounting via clips or channel (no flange)
Power feed	Hardwire tails
Control	DMX/DALI

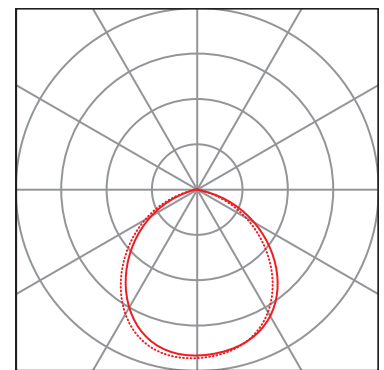
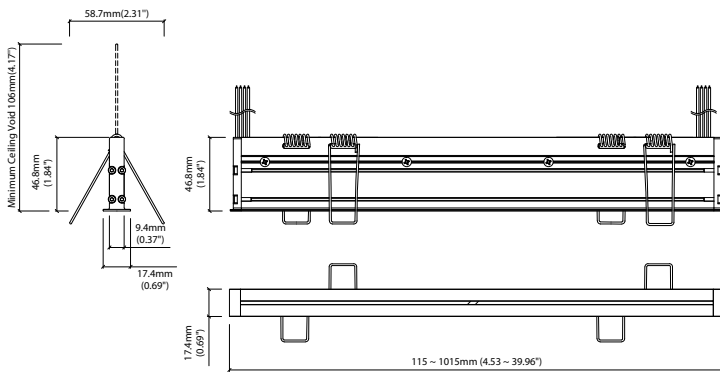


PERFORMANCE DATA

Power consumption	Supply voltage	Supply current
21.6W/m (6.58W/ft)	24V DC	0.9A/m (0.274A/ft)

Diffused Cover

Red: 2lm/m (0.6lm/ft)
 Green: 10lm/m (3lm/ft)
 Blue: 3lm/m (1lm/ft)
 RGB: 15lm/m (5lm/ft)



— C0 / C180 cd / 1000 lm - - - C90 / C270

Data derived from independent UKAS / IESNA LM-79-08 accredited testing of production samples.

Groove IN 101 RGB

Code Table



FIXTURE

Model	Finish	Cover ¹	Grade	LED	Colour (CCT)	Length Availability ²	IP	Cable Length	Power Feed ³	Input			
Groove IN RGB	GL	Silver Anodised SA	Diffused C	s	101	RGB	RGB	m	115-1015mm 100mm increments	IP40 40 IP65 65	300mm (11.81in) 0300	Single no sheath tail S00X Double no sheath tail D00X	DC 24V g
								i	4.53-39.96in 3.94in increments				
									(Specify length code OR total run length)				

¹ Refer to **Cover/Lens options** on **Options** page

² Refer to **Length Availability List** or enter total run length instead of length code

³ Refer to **Power Feed Options** on **Options** pages

Code Example:

GL	-	SA	-	C	-	s	-	101	-	RGB	-	m	500	-	40	-	0300	-	D00X	-	g
Groove IN RGB		Silver Anodised		Diffused				101		RGB		m	515mm		IP40		300mm (11.81in)		Double no sheath tail		DC 24V

ACCESSORIES

Connection Accessories

KKCN-07	4 PIN RGB male & female 50mm (1.97in) pair
KKCN-09	4 PIN RGB male & female 300mm (11.81in) pair
KKCN-11	4 PIN RGB 300mm (11.81in) extension lead

PSU/Driver

DALI/DMX

* Refer to **Driver/PSU Options** page for details or provide requirement and KKDC to offer the suitable option

* Refer to **Power feed** on **Accessories** pages

LED ENGINE VARIANTS (LED STRIP TYPE)

Luminaire	Output	LED	Lumen/m	Lumen/ft	W/m	W/ft	Spec Doc	Length	Increment
Groove IN (HCRI)	Low	103	32	10	7.7	2.34	Groove IN (HCRI)	115-1015mm (4.53-39.96in)	100mm (3.94in)
Groove IN RGB		101	Red 2 Green 10 Blue 3 RGB 15	Red 0.6 Green 3 Blue 1 RGB 5	21.6	6.58	Groove IN RGB	115-1015mm (4.53-39.96in)	100mm (3.94in)

* Performance data: diffused cover, RGB

Groove IN 101 RGB

Length Availability List

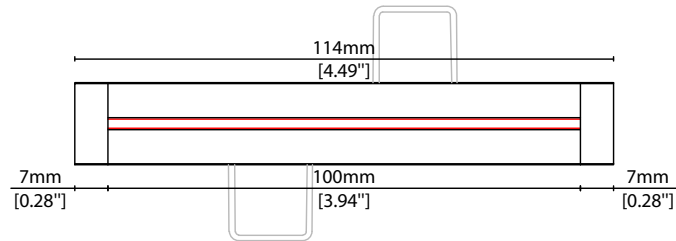


Length Code		Fixture Length ¹		LED Strip ²		End Cap Dimension ³		Wattage (W)	Output (lm)			
Metric	Imperial(US)	Metric	Imperial(US)	Metric	Imperial(US)	Metric	Imperial(US)		R	G	B	W
m0115	i0005	115mm	4.53in	100mm	3.94in	7mm	0.28in	2.16	0.2	1.0	0.3	1.5
m0215	i0008	215mm	8.46in	200mm	7.87in	7mm	0.28in	4.32	0.4	2.0	0.6	3.0
m0315	i0012	315mm	12.40in	300mm	11.81in	7mm	0.28in	6.48	0.6	3.0	0.9	4.5
m0415	i0016	415mm	16.34in	400mm	15.75in	7mm	0.28in	8.64	0.8	4.0	1.2	6.0
m0515	i0020	515mm	20.28in	500mm	19.69in	7mm	0.28in	10.80	1.0	5.0	1.5	7.5
m0615	i0024	615mm	24.21in	600mm	23.62in	7mm	0.28in	12.96	1.2	6.0	1.8	9.0
m0715	i0028	715mm	28.15in	700mm	27.56in	7mm	0.28in	15.12	1.4	7.0	2.1	10.5
m0815	i0032	815mm	32.09in	800mm	31.50in	7mm	0.28in	17.28	1.6	8.0	2.4	12.0
m0915	i0036	915mm	36.02in	900mm	35.43in	7mm	0.28in	19.44	1.8	9.0	2.7	13.5
m1015	i0040	1015mm	39.96in	1000mm	39.37in	7mm	0.28in	21.60	2.0	10.0	3.0	15.0

¹ Actual total overall length of light fixture (LED strip + end caps + void/wire hole)

² Actual length of PCB strip

³ Actual length of 2x end caps



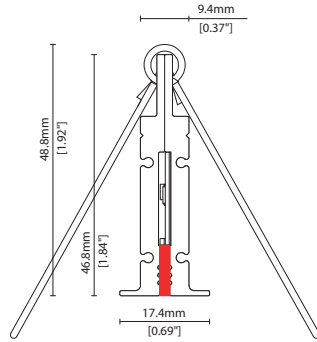
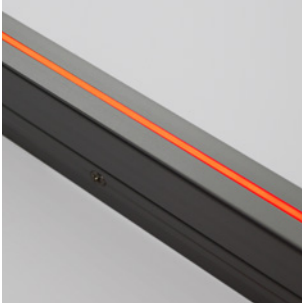
Linear

Groove IN 101 RGB Options

KKDC

COVER/LENS OPTIONS

* Options are an integral part of the fixture ordering codes. Please refer to **Code Table** pages.



C Diffused cover

W17.4/H46.8mm (W0.69/H1.84")

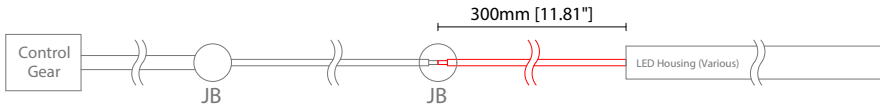
Linear

Groove IN 101 RGB Options

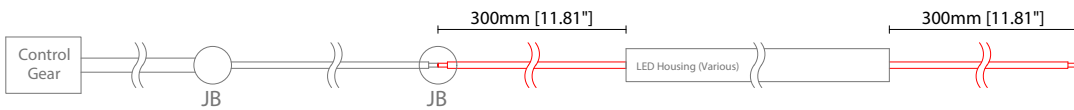
KKDC

POWER FEED OPTIONS

0300 S00X 300mm (11.81") Single no sheath tail



0300 D00X 300mm (11.81") Double no sheath tail

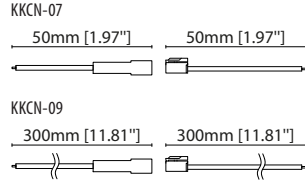
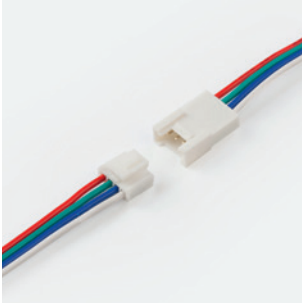


Key

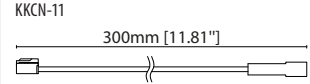
Control Gear Power supply, sub-controllers & control systems
JB Junction box / cable connection

POWER FEED

Note: Accessories are to be ordered separately with corresponding code shown below.



KKCN-07 50mm (1.97in) pair
KKCN-09 300mm (11.81in) pair
 4 PIN RGB male + female connector set



KKCN-11
 4 PIN RGB 300mm (11.81in) extension lead

KKDC CONTROL



IP20
 Plastic housing
 L170/W59/H29mm
 (L6.69/W2.32/H1.14in)

KKDM-06 1-10V
 visDIM dimmable sub-controller
 (4 x 8A max @ 12-36V)



IP20
 Plastic housing
 L170/W53.4/H28mm
 (L6.69/W2.10/H1.10in)

KKSC-05 DMX
 visDIM dimmable sub-controller
 (4 x 5A max @ 12-36V)



IP20
 Plastic housing
 L170/W59/H29mm
 (L6.69/W2.32/H1.14in)

KKDL-02 DALI
 visDIM dimmable sub-controller
 (4 x 8A max @ 12-36V)



IP20
 Plastic housing
 L166/W53.4/H23mm
 (L6.54/W2.10/H0.91in)

KKDL-03 DALI
 visDIM dimmable sub-controller
 (4 x 5A max @ 12-36V)

AVAILABLE PSU OPTIONS

Control Mode	PSU (Order Code)	Input Voltage AC	Output Voltage DC	Rated Output Current	Rated Power	Dim %	IP Rating
Switched	CEN-60-24	90-295V	24V	2.5A	60W	-	IP67
	HLG-60H-24	90-305V	24V	2.5A	60W	-	IP67
	HLG-100H-24	90-305V	24V	4.0A	100W	-	IP67
	HLG-150H-24	90-305V	24V	6.3A	150W	-	IP67
	HLG-240H-24	90-305V	24V	10A	240W	-	IP67
0-10V (1-10V)	PWM-40-24	90-305V	24V	1.67A	40W	100-0.15 (100-10)	IP67
	PWM-60-24	90-305V	24V	2.5A	60W	100-0.15 (100-10)	IP67
	PWM-90-24	90-305V	24V	3.67A	90W	100-0.15 (100-10)	IP67
	PWM-120-24	90-305V	24V	5.0A	120W	100-0.15 (100-10)	IP67
DALI	LIN100A1	120-277V	24V	1A per channel	100W	100-0.1	IP66/IP40
DMX RGB	LIN100A1	120-277V	24V	1.33A per channel	100W	100-0.1	IP66/IP40
DMX RGBW	LIN100A1	120-277A	24V	1A per channel	100W	100-0.1	IP66/IP40

Flicker Free Options - Combination of PSU+ sub-controller

Control Mode	PSU (Order Code)	Sub-controller (Order Code)	Input Voltage AC	Output Voltage DC	Rated Output Current	Rated Power	Dim %	IP Rating PSU/ Sub-controller
0-10V or 1-10V	CEN-60-24	KKDM-06	90-295V	24V	2.5A	60W	100-0.9	IP67/IP20
	HLG-60H-24	KKDM-06	90-295V	24V	2.5A	60W	100-0.9	IP67/IP20
	HLG-100H-24	KKDM-06	90-295V	24V	4.0A	100W	100-0.9	IP67/IP20
	HLG-150H-24	KKDM-06	90-295V	24V	6.3A	150W	100-0.9	IP67/IP20
	HLG-240H-24	KKDM-06	90-295V	24V	10.0A	240W	100-0.9	IP67/IP20
DALI	CEN-60-24	KKDL-02/03	90-295V	24V	2.5A	60W	100-0.1	IP67/IP20
	HLG-60H-24	KKDL-02/03	90-305V	24V	2.5A	60W	100-0.1	IP67/IP20
	HLG-100H-24	KKDL-02/03	90-305V	24V	4.0A	100W	100-0.1	IP67/IP20
	HLG-150H-24	KKDL-02/03	90-305V	24V	6.3A	150W	100-0.1	IP67/IP20
	HLG-240H-24	KKDL-02/03	90-305V	24V	10.0A	240W	100-0.1	IP67/IP20
DMX RGB	CEN-60-24	KKSC-05	90-295V	24V	2.5A	60W	100-0.9	IP67/IP20
	HLG-60H-24	KKSC-05	90-305V	24V	2.5A	60W	100-0.9	IP67/IP20
	HLG-100H-24	KKSC-05	90-305V	24V	4A	100W	100-0.9	IP67/IP20
	HLG-150H-24	KKSC-05	90-305V	24V	6.3A	150W	100-0.9	IP67/IP20
	HLG-240H-24	KKSC-05	90-305V	24V	10.0A	240W	100-0.9	IP67/IP20

¹ The items shown above cover the most frequently used specification but does not exhaust the possible options

² PSU and/or driver can be chosen from the table, or KKDC may recommend the best option upon receipt of the controls requirement and installation environment

³ Electrical shop drawing will include detailed information of PSU and relevant control drivers

⁴ Cut sheets are available on the controls section of www.kkdc.lighting or upon request