

Linear

LiNi BLADE-H 508 (DIR) Fixture Guide

KKDÖ

Indoor | Suspended | Mid output up to 820lm/m (250lm/ft)

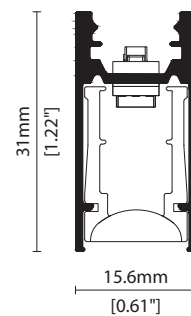


Key applications

- ✓ Ceiling
- ✓ Downlighting
- ✓ Indirect lighting
- ✓ Interior
- ✓ Uplighting

Key features

- ✓ Custom lengths
- ✓ Decorative
- ✓ Diffusion: Homogenous
- ✓ Direct view
- ✓ Extensive CCT range
- ✓ IP20
- ✓ Lensed
- ✓ Output mid



MOUNTING METHODS



KKS-06 Suspension mounting kit

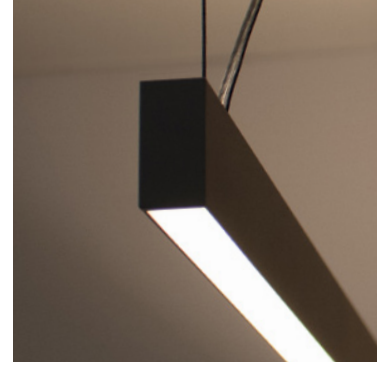
Linear

LiNi BLADE-H 508 (DIR)

Specification sheet



Dimension	H31/W15.6/L234-2020mm (H1.22/W0.61/L9.21-79.53in)	
PCB increment	71.4mm increment/2000mm max (2.81in increment/78.74in max)	
LED pitch	11.9mm - 84LED/m (0.47in - 26LED/ft)	
Chip	s/e-line	Toyoda Gosei
	k-line	Toyoda Gosei or Equivalent
Beam angle	DIR - 110° (Diffused Cover)/ 14° (KKLN-01 Lens) IND - 105° (No cover)	
IND option	352	
Colours	s/e-line	1900K/2100K/2300K/2500K/2700K/3000K/3500K/4000K/5000K
	k-line	1900K/2100K/2300K/2500K/2700K/3000K/3500K/4000K/5000K
Bin/Step	s-line	2-step MacAdam ellipse
	e/k-line	3-step MacAdam ellipse
CRI	≥ 90	
Lifetime	50,000 hours @ 25°C (50,000 hours @ 77°F)	
Operating temp	T _a = -25 to 60°C (T _c max = 78.1°C) T _a = -13 to 140°F (T _c max = 172.58°F)	
IP rating	IP20	
Finish	Matt White/Matt Black/Matt Gray/Matt Silver/Bronze Powder coating	
Cover/lens	DIR - Diffused/14° lens accessory, IND - No Cover	
Mounting	Suspended via suspension kit	
Power feed	Hardwire tails	
Control	0-10V/1-10V/DMX/DALI	
Combination	(Direct) 508 (Indirect) 352	



LED Grading Key

Exclusive Grade

s-line*	*KKDC tuned CCT range
2-step CCT range	
e-line*	
3-step CCT range	

Base Grade

k-line	
3-step commercial range	
Energy Star CCTs	

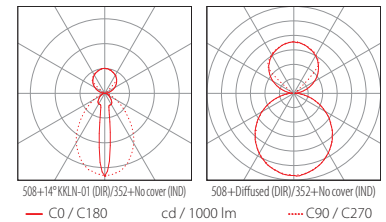
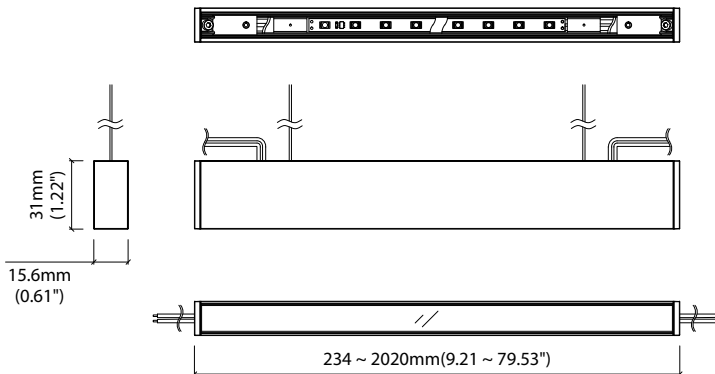
PERFORMANCE DATA @ 3000K

Power consumption	Supply voltage	Supply current
22.1W/m (6.74W/ft)	24V DC	0.92A/m(0.28A/ft)

Colour Rendering Index (CRI)

	R1	R2	R3	R4	R5	R6	R7	R8	R9	R10	R11	R12	R13	R14
k-line	94	97	98	93	93	96	92	83	60	93	94	82	95	99

	508+14° KKLN-01 (DIR)		508+Diffused (DIR)		352+No Cover (IND)		CRI	R9	Rf	Rg
s/e-line	820lm/m (250lm/ft)	46.9lm/W	440lm/m (134lm/ft)	25.4lm/W	320lm/m (98lm/ft)	69.7lm/W	92	60	-	-
k-line	750lm/m (229lm/ft)	43lm/W	420lm/m (128lm/ft)	24lm/W	320lm/m (96lm/ft)	68.7lm/W	92	60	-	-



Data derived from independent UKAS / IESNA LM-79-08 accredited testing of production samples.

See KKDC website for product document updates.

www.kkdc.lighting

LiNiBLADEH508S-02.06EN-20220805

Linear

LiNi BLADE-H 508 (DIR)

Code Table

KKDC

FIXTURE

Model	Finish	Cover/Lens ¹	Grade ²	LED	Colour (CCT)	Length Availability ³	IP	Cable Length	Power Feed	Input												
LiNi BLADE-H	BH	Matt White Paint	MW	Diffused (DIR) No cover (IND)	C	s	s	DIR 508 + IND 352	5832	1900K	19	m	234-2020mm 71.4mm increments	IP20	20	3000mm/ 118.11"	3000	Suspension single no sheath tail ⁴	S00H	DC 24V	g	
										2100K	21											
	Matt Silver Paint	MS	14° (DIR) No cover (IND)	S	k	2300K	23	i	9.21-79.53in 2.81in increments	2500K	25	(Specify length code OR total run length)	2700K	27	3000K	30	3500K	35	4000K	40	5000K	50
						2700K	27			3000K	30		3500K	35	4000K	40	5000K	50				
	Matt Grey Paint	MG																				
	Matt Black Paint	MB																				
	Bronze Paint	BP																				

¹ Refer to **Cover/Lens Options** on **Options** pages

² Refer to **LED Grading Key** on **Specification sheet** page

³ Refer to **Length Availability List** or enter total run length instead of length code

⁴ Transparent suspension wire

Code Example:

BH	-	MW	-	C	-	s	-	5832	-	35	-	m	520	-	20	-	0300	-	S00H	-	g
LiNi BLADE-H		Matt White Paint		Diffused (DIR) No cover (IND)		s		DIR 508 + IND 352		3500K		m	520		IP20		300mm/118.11"		Suspension single no sheath tail		DC 24V

ACCESSORIES

Mounting Accessories

KKSW-06 Suspension Mounting Kit

* Refer to **Mounting accessories** on **Accessories** pages

Connection Accessories

KKCN-01 2 PIN male & female 50mm (1.97in) pair

KKCN-03 2 PIN male & female 300mm (11.81in) pair

KKCN-06 2 PIN 300mm (11.81in) extension lead

* Refer to **Power feed** on **Accessories** pages

PSU/Driver

0-10V/1-10V/DALI/DMX

* Refer to **Driver/PSU Options** page for details or provide requirement and KKDC to offer the suitable option

LED ENGINE VARIANTS (LED STRIP TYPE)

Colour	Output	LED	Lumen/m	Lumen/ft	W/m	W/ft	Spec Doc	Length	Increment
Single CCT	Mid	352	1170	356	20.5	6.25	LiNi BLADE-H 352	270-2020mm (10.63-79.53in)	83.3mm (3.28in)
	Mid	504	880	267	17.1	5.21	LiNi BLADE-H 504	220-2020mm (8.66-79.53in)	100mm (3.94in)
	Mid	508	820	250	22.1	6.74	LiNi BLADE-H 508	234-2020mm (9.21-79.53in)	71.4mm (2.81in)
	Low	007	470	140	15.5	4.72	LiNi BLADE-H 007	270-2020mm (10.63-79.53in)	41.7mm (1.64in)

* Performance data: (DIR), s/e-line, 14° KKLN-01 lens, 3000K

LiNi BLADE-H 508 (DIR) Length Availability List



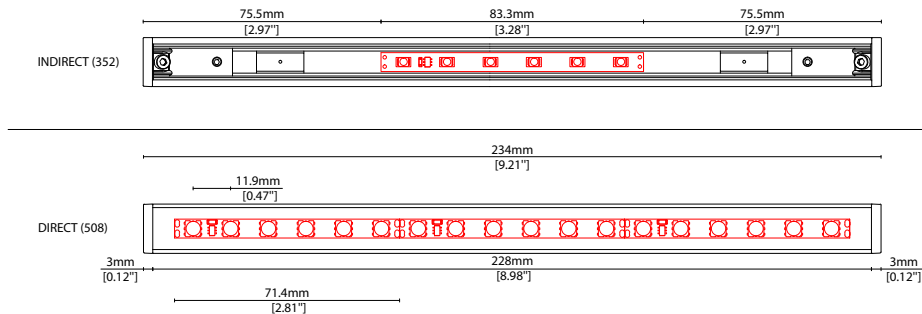
LiNi BLADE-H 508 (DIR) + 352 (IND)

Length Code		Fixture Length ¹		LED Strip ²		End Cap Dimension ³		Wattage (W)	Output (lm)	
Metric	Imperial(US)	Metric	Imperial(US)	Metric	Imperial(US)	Metric	Imperial(US)		3000K (Test Data)	Range Data
m0234	i0009	234mm	9.22in	214mm	8.44in	5mm	0.20in	4.21	208	97-216
m0306	i0012	306mm	12.04in	286mm	11.25in	5mm	0.20in	5.92	298	146-310
m0377	i0015	377mm	14.85in	357mm	14.06in	5mm	0.20in	7.62	389	196-405
m0448	i0018	449mm	17.66in	429mm	16.87in	5mm	0.20in	8.87	448	220-465
m0520	i0020	520mm	20.47in	500mm	19.69in	5mm	0.20in	10.58	538	269-560
m0591	i0023	591mm	23.29in	571mm	22.50in	5mm	0.20in	12.29	629	318-654
m0663	i0026	663mm	26.10in	643mm	25.31in	5mm	0.20in	14.00	719	367-748
m0734	i0029	734mm	28.91in	714mm	28.12in	5mm	0.20in	15.71	810	416-842
m0806	i0032	806mm	31.72in	786mm	30.93in	5mm	0.20in	17.42	900	466-936
m0877	i0035	877mm	34.53in	857mm	33.75in	5mm	0.20in	19.12	991	515-1031
m0948	i0037	949mm	37.35in	929mm	36.56in	5mm	0.20in	20.37	1050	539-1092
m1020	i0040	1020mm	40.16in	1000mm	39.37in	5mm	0.20in	22.08	1140	588-1186
m1091	i0043	1091mm	42.97in	1071mm	42.18in	5mm	0.20in	23.79	1231	637-1280
m1163	i0046	1163mm	45.78in	1143mm	45.00in	5mm	0.20in	25.50	1321	686-1374
m1234	i0049	1234mm	48.59in	1214mm	47.81in	5mm	0.20in	27.21	1412	735-1468
m1306	i0051	1306mm	51.41in	1286mm	50.62in	5mm	0.20in	28.92	1502	785-1563
m1377	i0054	1377mm	54.22in	1357mm	53.43in	5mm	0.20in	30.62	1593	834-1657
m1448	i0057	1449mm	57.03in	1429mm	56.24in	5mm	0.20in	31.87	1652	858-1718
m1520	i0060	1520mm	59.84in	1500mm	59.06in	5mm	0.20in	33.58	1742	907-1812
m1591	i0063	1591mm	62.66in	1571mm	61.87in	5mm	0.20in	35.29	1833	956-1906
m1663	i0065	1663mm	65.47in	1643mm	64.68in	5mm	0.20in	37.00	1923	1005-2000
m1734	i0068	1734mm	68.28in	1714mm	67.49in	5mm	0.20in	38.71	2014	1055-2095
m1806	i0071	1806mm	71.09in	1786mm	70.31in	5mm	0.20in	40.42	2105	1104-2189
m1877	i0074	1877mm	73.90in	1857mm	73.12in	5mm	0.20in	42.12	2195	1153-2283
m1948	i0077	1949mm	76.72in	1929mm	75.93in	5mm	0.20in	43.37	2254	1177-2344
m2020	i0080	2020mm	79.53in	2000mm	78.74in	5mm	0.20in	45.08	2344	1226-2438

¹ Actual total overall length of light fixture (LED strip + end caps + void/wire hole)

² Actual length of PCB strip

³ Actual length of 2x end caps



Linear

LiNi BLADE-H 508 (DIR) Options

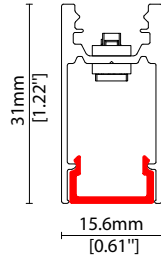
KKDC

COVER/LENS OPTIONS

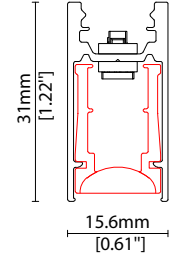
* Options are an integral part of the fixture ordering codes. Please refer to **Code Table** pages.



C Diffused



S 14° (KKLN-01)



Linear

LiNi BLADE-H 508 (DIR)

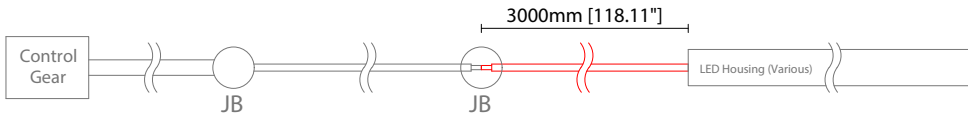
Options

KKDC

POWER FEED OPTIONS

* Options are an integral part of the fixture ordering codes. Please refer to **Code Table** pages.

3000 S00H 3000mm (118.11") Suspension single no sheath tail



Key

Control Gear Power supply, sub-controllers & control systems
JB Junction box / cable connection

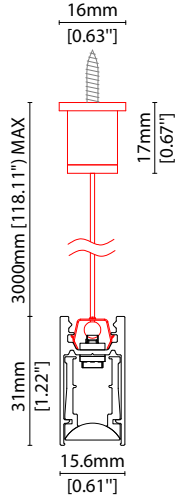
MOUNTING ACCESSORIES

Note: Accessories are to be ordered separately with corresponding code shown below.

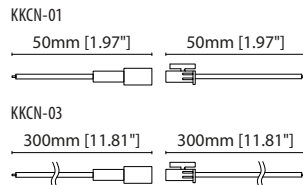
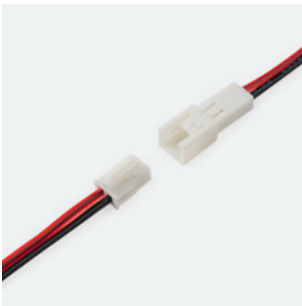


KKSU-06

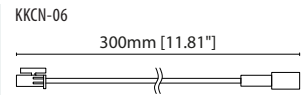
Suspension mounting kit
(allow 2 per metre/40in)
S/Steel finish
L14.9/W16/H3031mm MAX
(L0.59/W0.63/H119.33" MAX)



POWER FEED



KKN-01 50mm (1.97in) pair
KKN-03 300mm (11.81in) pair
2 PIN male + female connector set



KKN-06
2 PIN 300mm (11.81in) extension lead

KKDC CONTROL



IP20
Plastic housing
L170/W59/H29mm
(L6.69/W2.32/H1.14in)

KKDM-06 1-10V
visDIM dimmable sub-controller
(4 x 8A max @ 12-36V)



IP20
Plastic housing
L170/W53.4/H28mm
(L6.69/W2.10/H1.10in)

KKSC-05 DMX
visDIM dimmable sub-controller
(4 x 5A max @ 12-36V)

Linear

LiNi BLADE-H 508 (DIR)

Accessories

KKDÖ

KKDC CONTROL (CONTINUED)



IP20
Plastic housing
L170/W59/H29mm
(L6.69/W2.32/H1.14in)

KKDL-02 DALI

visDIM dimmable sub-controller
(4 x 8A max @ 12-36V)



IP20
Plastic housing
L166/W53.4/H23mm
(L6.54/W2.10/H0.91in)

KKDL-03 DALI

visDIM dimmable sub-controller
(4 x 5A max @ 12-36V)

AVAILABLE PSU OPTIONS

Control Mode	PSU (Order Code)	Input Voltage AC	Output Voltage DC	Rated Output Current	Rated Power	Dim %	IP Rating
Switched	CEN-60-24	90-295V	24V	2.5A	60W	-	IP67
	HLG-60H-24	90-305V	24V	2.5A	60W	-	IP67
	HLG-100H-24	90-305V	24V	4.0A	100W	-	IP67
	HLG-150H-24	90-305V	24V	6.3A	150W	-	IP67
	HLG-240H-24	90-305V	24V	10A	240W	-	IP67
0-10V (1-10V)	PWM-40-24	90-305V	24V	1.67A	40W	100-0.15 (100-10)	IP67
	PWM-60-24	90-305V	24V	2.5A	60W	100-0.15 (100-10)	IP67
	PWM-90-24	90-305V	24V	3.67A	90W	100-0.15 (100-10)	IP67
	PWM-120-24	90-305V	24V	5.0A	120W	100-0.15 (100-10)	IP67
DALI	LIN100A1	120-277V	24V	1A per channel	100W	100-0.1	IP66/IP40
DMX RGB	LIN100A1	120-277V	24V	1.33A per channel	100W	100-0.1	IP66/IP40
DMX RGBW	LIN100A1	120-277A	24V	1A per channel	100W	100-0.1	IP66/IP40

Flicker Free Options - Combination of PSU+ sub-controller

Control Mode	PSU (Order Code)	Sub-controller (Order Code)	Input Voltage AC	Output Voltage DC	Rated Output Current	Rated Power	Dim %	IP Rating PSU/ Sub-controller
0-10V or 1-10V	CEN-60-24	KKDM-06	90-295V	24V	2.5A	60W	100-0.9	IP67/IP20
	HLG-60H-24	KKDM-06	90-295V	24V	2.5A	60W	100-0.9	IP67/IP20
	HLG-100H-24	KKDM-06	90-295V	24V	4.0A	100W	100-0.9	IP67/IP20
	HLG-150H-24	KKDM-06	90-295V	24V	6.3A	150W	100-0.9	IP67/IP20
	HLG-240H-24	KKDM-06	90-295V	24V	10.0A	240W	100-0.9	IP67/IP20
	CEN-60-24	KKDL-02/03	90-295V	24V	2.5A	60W	100-0.1	IP67/IP20
DALI	HLG-60H-24	KKDL-02/03	90-305V	24V	2.5A	60W	100-0.1	IP67/IP20
	HLG-100H-24	KKDL-02/03	90-305V	24V	4.0A	100W	100-0.1	IP67/IP20
	HLG-150H-24	KKDL-02/03	90-305V	24V	6.3A	150W	100-0.1	IP67/IP20
	HLG-240H-24	KKDL-02/03	90-305V	24V	10.0A	240W	100-0.1	IP67/IP20
DMX RGB	CEN-60-24	KKSC-05	90-295V	24V	2.5A	60W	100-0.9	IP67/IP20
	HLG-60H-24	KKSC-05	90-305V	24V	2.5A	60W	100-0.9	IP67/IP20
	HLG-100H-24	KKSC-05	90-305V	24V	4A	100W	100-0.9	IP67/IP20
	HLG-150H-24	KKSC-05	90-305V	24V	6.3A	150W	100-0.9	IP67/IP20
	HLG-240H-24	KKSC-05	90-305V	24V	10.0A	240W	100-0.9	IP67/IP20

¹ The items shown above cover the most frequently used specification but does not exhaust the possible options

² PSU and/or driver can be chosen from the table, or KKDC may recommend the best option upon receipt of the controls requirement and installation environment

³ Electrical shop drawing will include detailed information of PSU and relevant control drivers

⁴ Cut sheets are available on the controls section of www.kkdc.lighting or upon request