



Date: _____

Type: _____

Fixture: _____

Project: _____

Approved: _____

ZFCF1103

3" ROUND COMPACT FLOOD LIGHT WITH VARIOUS OPTICS AND MOUNTING OPTIONS.



Shown with Cut-off Visor (CV3)

ZFCF1103	UNV		CRI90	9L				
SERIES	VOLTAGE	CCT	CRI	LUMENS	FINISH	OPTICS nominal	TRIM	MOUNTING
ZFCF1103	UNV 120-277 Volt	3K 3000K (White) 4K 4000K (White)	CRI90	9L 933 lm (7W)	BKE Black WHE White BRE Bronze SLE Silver	15 Spot 15° 25 Medium Spot 25° 40 Medium Flood 40° 60 Flood 60° 110 Wide Flood 110°	CV3 Cut-Off Visor	K3 3" Knuckle Mount (Standard) GS3 Ground Stake Mount

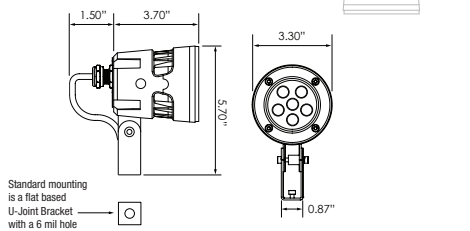
SPECIFICATION

PHYSICAL	
housing	Marine grade, low copper, die-cast aluminum; captive stainless steel fasteners
lens	Anti-reflective clear, tempered glass w/silicone gasketing
mounting	Standard mounting is flat base U-Joint Bracket with 3/8" hole includes adjustments for 180° vertical
ingress protection	Dry, damp or wet locations IP66 rated, IK07 impact rating
vibration resistance	3G ANSI C136.31
finish	Six stage cleaning and saline pre-treatment. Super TGIC polyester powder coat finish, 18µm Min., 5000hr salt spray test (ASTM B117) compliant with Florida/ AAMA 2604 specification.

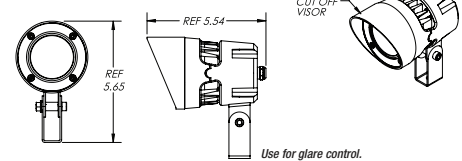
PERFORMANCE	
lifetime	> 70,000 hours / L90 or better
color consistency	2 SDCM / 90 CRI
operating temperature	-22°F to 122°F (-30°C to 50°C)
junction temperature	73°C @ T ^a 25°C
warranty	5-Year limited warranty (refer to website for details)

ELECTRICAL	
input voltage	Universal 120–277V AC
power supply	Integral Class II, electronic high-power factor > 94% @120V
standards	ETL / cETL
power consumption	7W (900 lm)
dimming	Non-Dimming

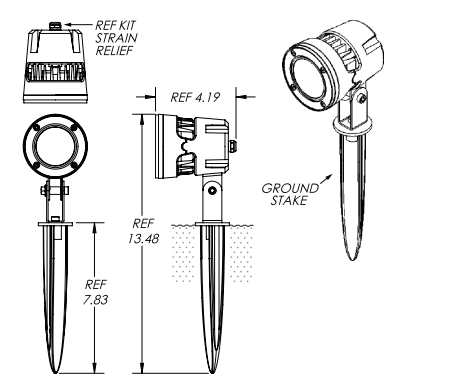
(K3) Knuckle Standard



(CV3) Cut-Off Visor



(GS3) Ground Stake



Due to continuous development and improvements, specifications are subject to change without notice. FC Lighting and Solid State Luminaires reserves the right to change lab test details or specifications without notice. Product use certifies agreement to FC & SSL terms and conditions. * Terms & Conditions for our quick ship program are located on our website: fcighting.com

US Commercial Lighting Manufacturer Since 1982