



Date:	Approved:
Type:	
Fixture:	
Project:	

Z QUICK SHIP 25 pcs or Less / ships in 2 weeks*

ZFCP660

14" DIE-CAST ALUMINUM PENDANT WITH ADJUSTABLE CABLE MOUNT.



TG/EA Finish

TG/RA Finish

0-10V DIMMING INCLUDED

ZFCP660	UNV		CRI85	40L	
SERIES	VOLTAGE	CCT	CRI	LUMENS	FINISH/SHADE COLOR
ZFCP660	UNV 120-277 Volt	3K 3000K (White) 4K 4000K (White)	CRI85	40L 4000 lm (40W)	TG/EA Textured Gray w/ Etched Aluminum Shade TG/RA Textured Gray w/ Ribbed Acrylic Shade

SPECIFICATIONS

PHYSICAL

housing	extruded aluminum with die-cast top, and shade frame
shade	etched aluminum or ribbed acrylic
lens	clear center, etched perimeter acrylic lens
mounting	grip-lock cable grips, adjustable from 8" - 120" aircraft cable and canopy mounts directly to standard junction box
ingress protection	dry locations IP20 rated
finish	Six stage cleaning and saline pre-treatment. TGIC polyester powder coat finish.

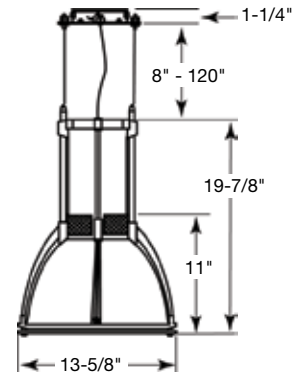
PERFORMANCE

lifetime	> 70,000 hours / L70 or better
color consistency	3 SDCM / 85 CRI
operating temperature	-13°F to 104°F (-25°C to 40°C)
warranty	5-Year limited warranty (refer to website for details)

ELECTRICAL

input voltage	Universal 120-277V
power supply	integral, electronic high-power factor > 94% @120V
standards	ETL / cETL
power consumption	58W (4200 lm)
dimming	0-10V dimming included

FCP660



Due to continuous development and improvements, specifications are subject to change without notice. FC Lighting and Solid State Luminaires reserves the right to change lab test details or specifications without notice. Product use certifies agreement to FC & SSL terms and conditions. * Terms & Conditions for our quick ship program are located on our website: fclighting.com

US Commercial Lighting Manufacturer Since 1982