

DEVA Outdoor (Wall / Ceiling) 3-716-xx

oxygen

FIXTURE TYPE _____ LOCATION _____
PROJECT _____ DATE _____

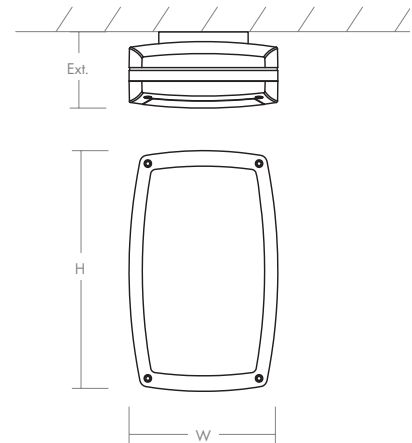


-15 Black



-16 Gray

LIGHT SOURCE	1 x 10.1W LED, 3000K, CRI 90
LUMINAIRE POWER	12.7W at 120V
RATED LIFE	60000 hr RL
OPTIONAL COLOR TEMPERATURES	2700K, 3500K, 4000K
LUMEN OUTPUT	Delivered: 303 lm (LM-79)
INPUT VOLTAGE	120V to 277V AC, 50/60Hz
DRIVER OUTPUT	350mA, 14.7W max power
DIMMING	TRIAC and ELV dimming at 120V AC; 0-10V dimming, 100% to 1% current output
CONSTRUCTION	Cast Aluminum and Polycarbonate
DIFFUSER	- Polished White Polycarbonate
FINISHES	Black (-15), Gray (-16)
MOUNTING	4" Octagonal J-Box (Installer must provide a bead of caulk between fixture housing and mounting surface)
STANDARDS	ETL Wet, ADA Compliant, Conforms to UL STD 1598, Certified CAN/CSA STD C22.2 No 250.0.



DIMENSIONS

W:	7.91"
H:	12.63"
Ext.:	4.00"
M.C.:	3.95" From top of fixture

Order example for standard fixture:
3-716-15 (x- Voltage - xxx-Sequence # - xx-Finish)
3: 120V to 277V
 Order example for optional color temperatures: **3-716-2715**
27: 2700K, **35:** 3500K, **40:** 4000K

