

**MAIA Outdoor**  
**3-741-xx**

oxygen

FIXTURE TYPE \_\_\_\_\_

LOCATION \_\_\_\_\_

PROJECT \_\_\_\_\_

DATE \_\_\_\_\_



-22 Oiled Bronze

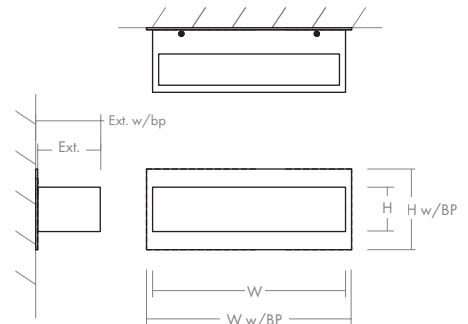


-16 Gray



Top View

<b>LIGHT SOURCE</b>	1 x 12.2W LED, 3000K, CRI 90
<b>LUMINAIRE POWER</b>	15.3W at 120V
<b>RATED LIFE</b>	60000 hr RL
<b>OPTIONAL COLOR TEMPERATURES</b>	2700K, 3500K, 4000K
<b>LUMEN OUTPUT</b>	Delivered: 465 lm (LM-79)
<b>INPUT VOLTAGE</b>	120V to 277V AC, 50/60Hz
<b>DRIVER OUTPUT</b>	350mA, 14.7W max power
<b>DIMMING</b>	TRIAC and ELV dimming at 120V AC; 0-10V dimming, 100% to 1% current output
<b>CONSTRUCTION</b>	Cast Aluminum and Acrylic
<b>DIFFUSER</b>	- Matte White Acrylic
<b>FINISHES</b>	Gray (-16), Oiled Bronze (-22)
<b>MOUNTING</b>	4" Octagonal J-Box**, 4" Square J-Box* with a single device mud ring *Deep J-Box (Required to house driver) **Deep J-Box and Backplate required to cover J-Box (Installer must provide a bead of caulk between fixture housing and mounting surface)
<b>STANDARDS</b>	ETL Wet, ADA Compliant, Conforms to UL STD 1598, Certified CAN/CSA STD C22.2 No 250.0.



**DIMENSIONS**

- W:** 12.25"
- H:** 2.75"
- Ext:** 3.88"
- M.C:** 1.38" From top of fixture

**With optional backplate**

- W:** 13.00"
- H:** 5.00"
- Ext:** 4.00"
- M.C:** 2.50" From top of fixture

Order example for standard fixture:

**3-741-22** (x- Voltage - xxx-Sequence # - xx-Finish)

**3:** 120V to 277V

Order example for optional color temperatures: **3-741-2722**

**27:** 2700K, **35:** 3500K, **40:** 4000K

