

**JOURNEY Wall Sconce / Ceiling Mount**  
**3-622-24**

oxygen

FIXTURE TYPE \_\_\_\_\_

LOCATION \_\_\_\_\_

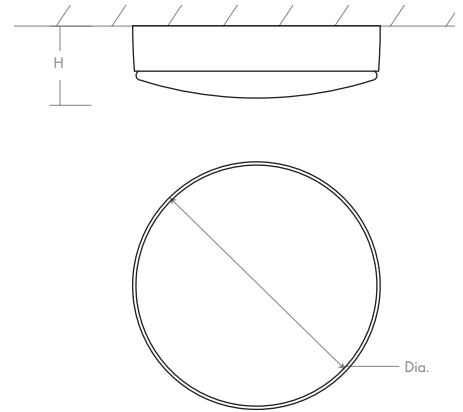
PROJECT \_\_\_\_\_

DATE \_\_\_\_\_



-24 Satin Nickel

<b>LIGHT SOURCE</b>	1 x 10.1W LED, 3000K, CRI 90
<b>LUMINAIRE POWER</b>	12.4W at 120V
<b>RATED LIFE</b>	60000 hr RL
<b>OPTIONAL COLOR TEMPERATURES</b>	2700K, 3500K, 4000K
<b>LUMEN OUTPUT</b>	Delivered: 608 lm (LM-79)
<b>INPUT VOLTAGE</b>	120V to 277V AC, 50/60Hz
<b>DRIVER OUTPUT</b>	350mA, 14.7W max power
<b>DIMMING</b>	TRIAC and ELV dimming at 120V AC; 0-10V dimming, 100% to 1% current output
<b>CONSTRUCTION</b>	Plated Steel and Glass
<b>DIFFUSER</b>	- White Opal Glass
<b>FINISHES</b>	Satin Nickel (-24)
<b>MOUNTING</b>	4" Octagonal J-Box
<b>STANDARDS</b>	UL Dry/Damp listed, Conforms to UL STD 1598, Certified CAN/CSA STD C22.2 No 250.0.



**DIMENSIONS**  
**Dia: 11.00"**  
**H: 4.50"**

Order example for standard fixture:  
**3-622-24** (x- Voltage - xxx-Sequence # - xx-Finish)  
**3:** 120V to 277V  
 Order example for optional color temperatures: **3-622-2724**  
**27:** 2700K, **35:** 3500K, **40:** 4000K

