

## ATF7425

### 25W LED Track Head Track Lighting



\* Only available for 3000 K



Job Information	
Project Name	
Type	
Location	
Quantity	
Date	

#### Description

The ATF7425 is a 25W high powered, Energy Star® approved LED track fixture specially designed for task and accent lighting. Available black, silver and white finishes.

#### Features

##### Body

Constructed of aluminum, the body features an aesthetically pleasing smooth cylindrical shape. The body included a colour matching aluminum heat sink in order to provide maximum heat dissipation.

##### Beam Spread

The fixture is available in a 15°, 25° and 38° beam angle.

##### Dimming

The track fixture is dimmable when used with TRIAC dimming controls (Consult factory for compatible dimmers).

##### Adjustability

Adjustable up to 90° tilt and 330° rotation to allow for spotlight into multiple directions.

##### LED Characteristics

High powered 25W CREE® CXA2520 LED array maintains uniform intensity with a typical luminous flux up to 2375 lumens, making it a suitable replacement for 100W halogen and 39W PAR20 CMH lamps; with a CRI of 90. Available in 3000 K, 3500 K and 4000 K correlated colour temperature.

##### Compatibility

Fixture is provided with A-Line

connector which is compatible with Juno style track. For other connector configurations (Halo, Liteline), please contact your A-Line representative.

##### QuickShip In-Stock

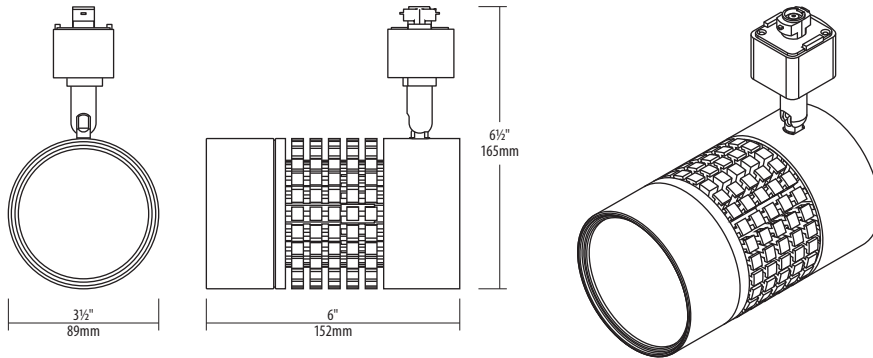
In-Stock products ship within two business days of an order being released.\*



#### SPECIFICATION

Application	Track
Approved Location	Dry
Beam Angle	15° / 25° / 38°
CBCP	3837
CCT	3000 K / 3500 K / 4000 K
Certification	cULus
Colour	BK / SL / WH
CRI	90
Dimming	Yes
Dimming Tech	TRIAC
Energy Star®	Yes
LM79	Yes
LM80	Yes
Lumen Maintenance	70% @ 50,000 Hrs
Lumens	2250 / 2250 / 2375
Lumens per Watt	90 / 90 / 95
Primary Voltage	120
Rotation	330°
Tilt	90°
Warranty	5 Years
Wattage	25

#### Technical Drawings



#### Ordering Guide

Connector Type	Color Temp.	Beam Spread	Finish Color
<input type="checkbox"/> - ATF7425 -	<input type="checkbox"/>	<input type="checkbox"/>	<input type="checkbox"/>
<b>Blank</b> : A-Line or Juno	<b>30</b> : 3000 K	<b>38</b> : 38°	<b>BK</b> : Black
<b>H</b> : Halo	<b>35</b> : 3500 K	<b>15</b> : 15°	<b>SL</b> : Silver
<b>LL</b> : Liteline	<b>40</b> : 4000 K	<b>25</b> : 25°	<b>WH</b> : White



Highlighted option denotes QuickShip.

#### Accessories



##### ATF7425-HC

Honeycomb accessory for ATF7425 series. Available in black or white body.



##### ATF7425-SN

Snoot accessory for ATF7425 series. Available in black or white body.

ONLINE PRODUCT DETAILS AND DOCUMENTATION



\* QuickShip option is available on orders of 100 pieces or less. QuickShip lead time may vary for orders greater than 100 pieces. No additional shipment rates apply. Subject to availability.

**Notes:** For additional options please consult your A-Line Lighting representative. Juno is a registered trademark of Juno Lighting Group. Halo is a registered trademark of Cooper Lighting. Due to our continued efforts to improve our products, product specifications are subject to change without notice.

# Photometry

ATF7425-3038-WH : LED TRACK HEAD, 25W, 3000 K, 38° beam spread, white

## Zonal Lumen Summary

Zone	Lumens	% Luminaire
0-30	1,844.4	73.6%
0-40	2,162.7	86.3%
0-60	2,408.9	96.1%
60-90	90.6	3.6%
70-100	33.1	1.3%
90-120	0.9	0%
0-90	2,499.4	99.7%
90-180	8.0	0.3%
0-180	2,507.4	100%

