

PRO-1S

Pro Puck™

3.3W Single Shallow 24V LED Puck Light
Cove, Under Cabinet & Millwork

Job Information		
Project Name		Type
Location		
Quantity		Date
Contact/Phone		
Notes		

Features

Puck Light

The 3.3 watt LED puck is constructed with a low profile die cast aluminum body. Three LEDs with regressed reflectors provide even light distribution, while maintaining low heat dispersion. The LEDs have a projected lumen maintenance of 70% at 50,000 hours.

Light Output

This LED puck light is available in warm white (3000 K) and cool white (5500 K) colour temperatures, providing 207.4 lumen output, 104° beam spread. Dimmable when used with compatible dimming drivers (see page 2 for list of compatible dimming drivers).

Power Consumption

Pro Puck operates at 3.3 Watts. Required a Class II 24V DC constant current magnetic or electronic driver. See page 2 for driver listing.

Linkability

Each fixture provided with 22 AWG 2-SPL wire for hardwiring to other fixtures and driver. Use wire type and gauge suitable for application to connect

the fixtures.

Total wattage of fixtures attached to any driver should not exceed 80% of the total wattage designated by the driver.

Mounting

Pro Pucks can be surface or recess mounted. For recessed mounting, the mounting ring must first be removed. Attach mounting ring to the surface using screws.

Operating Temperature

-20°C ~ 40°C (-4°F ~ 104°F).

Approvals

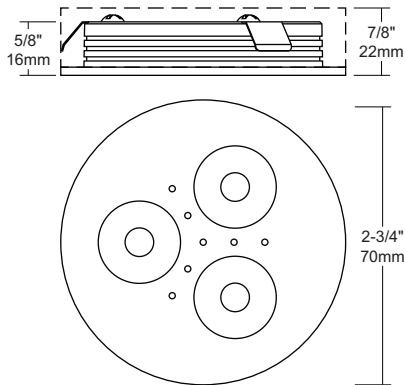
cETLus.

SPECIFICATION	
Application	Undercabinet
Approved Location	Damp
Beam Angle	104°
Box Type	Colour
CCT	3000 K / 5500 K
Certification	cETLus
CRI	80+
Cut-hole	2½" (64mm)
Dimming	Yes
Lumen	207.4
Lumens per Watt	62.8
Material	Aluminum & Steel
Max. Op. Temp.	40°C
Min. Start Temp.	-20°C
Power Supply Type	Constant current
Primary Voltage	24V DC
Projected Life	70% @ 50,000 hrs
Warranty	3 Years
Wattage	3.3W

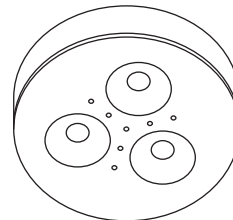
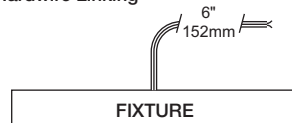


Description

Pro Puck fixtures offers smooth design, flexibility and the perfect choice for accent or task lighting. Their small footprint and low profile makes them the perfect choice in commercial and inconspicuous areas. The ability to link multiple Pro Puck together makes for faster installation. These Pro Puck can be surface or recess mounted.



Hardwire Linking



Ø 2-1/2"
64mm

Notes: Accessories should be ordered separately. For additional options please consult your Liteline representative. Due to our continued efforts to improve our products, product specifications are subject to change without notice.

Ordering Guide

Wattage	Colour Temperature	Voltage	Wiring	Fixture Colour
PRO-1S				
3 : 3.3 Watt	30 : 3000 K 55 : 5500 K	24 : 24 volts	H : Hardwire	ABK : Anodized Black AL : Brushed Aluminum FWH : Flat White

Compatible Drivers

Non Dimming Class II

Plug-In Drivers

**LED-DVR-24V-24W**

LED 24V, 24W Plug-in Driver with DC 2.1 jack. Maximum 6 units.

LED-DVR-24V-36W

LED 24V, 36W Plug-in Driver with DC 2.1 jack. Maximum 8 units.

LED-DVR-24V-60W

LED 24V, 60W Plug-in Driver with DC 2.1 jack. Maximum 14 units.

**LED-HWB-DC21-6-PF**

DC 2.1 to bare leads power feed. Maximum 15' to first fixture.

* Power feed required for all drivers with DC 2.1 jack.

Hardwire Drivers

**LED-HWB-24V-24W**

LED 24V, 24W Hard wire Box LED Driver with DC 2.1 jack. Maximum 6 units.

LED-HWB-24V-36W

LED 24V, 36W Hard wire Box LED Driver with DC 2.1 jack. Maximum 8 units.

LED-HWB-24V-60W

LED 24V, 60W Hard wire Box LED Driver with DC 2.1 jack. Maximum 14 units.

**LED-HWB-DC21-6-PF**

DC 2.1 to bare leads power feed. Maximum 15' to first fixture.

* Power feed required for all drivers with DC 2.1 jack.

Accessories

**LED-DIM 24V**

LED touch dimmer, 24V (non dimmable driver required).

**LED-SP-4**

Optional harness for up to 4 runs, 24V.

Dimming Class II

Electronic Hardwire Drivers – DC 201 – Powered by Lutron®

**LED-HWB-DIM2-24-40**

40W LED dimmable hardwire driver with DC 2.1 jack. 2-wire, 24V, powered by Lutron® Hi-Lume® 1% 2-wire 120V LED driver. Maximum 12 units.

LED-HWB-DIM3-24-40

40W LED dimmable hardwire driver with DC 2.1 jack. 3-wire, 24V, powered by Lutron® Hi-Lume® 1% Ecosystem LED driver. Maximum 12 units.

**LED-HWB-DC21-6-PF**

DC 2.1 to bare leads power feed. Maximum 10' to first fixture.

* Power feed required for all drivers with DC 2.1 jack.

Electronic Hardwire Drivers – Hardwire

**HWB-DIM-EDC-24V-25W**

25W dimmable electronic hardwire driver, 24V. Maximum 7 units.

**HWB-DIM-EDC-24V-50W**

50W dimmable electronic hardwire driver, 24V. Maximum 15 units.

**HWB-DIM-EDC-24V-96W**

96W dimmable electronic hardwire driver, 24V. Maximum 29 units.

Accessories

**LED-SP-4**

Optional harness for up to 4 runs, 24V.