

ATF7630

30W LED Track Head
Track Lighting



Job Information	
Project Name	
Type	
Location	
Quantity	
Date	

Description

The ATF7630 is a 30W high powered LED track fixture with smooth cylindrical shape, specially designed for task and accent lighting. Available black, silver and white finishes.

Features

Body

Constructed of aluminum, the body features an aesthetically pleasing smooth cylindrical shape.

Beam Spread

The fixture is available in a 20°, 29° and 35° beam angle.

Dimming

100%~10% dimmable when used with TRIAC dimming controls (Consult factory for compatible dimmers).

Adjustability

A supporting arm allows the fixture to be adjustable up to 90° tilt and 330°

rotation, allowing for spotlight into multiple directions.

LED Characteristics

High powered 30W CREE® CXA2530 LED array maintains uniform intensity with a typical luminous flux of 2200 lumens, making it a suitable replacement for 55W PAR38 halogen and 22W PAR20 CMH lamps; with a CRI of 90. Available in 3000 K and 3500 K correlated color temperature.

Compatibility

Fixture is provided with A-Line connector which is compatible with Juno style track. For other connector

configurations (Juno, Halo, Lightolier, etc), please contact your A-Line representative.

QuickShip In-Stock

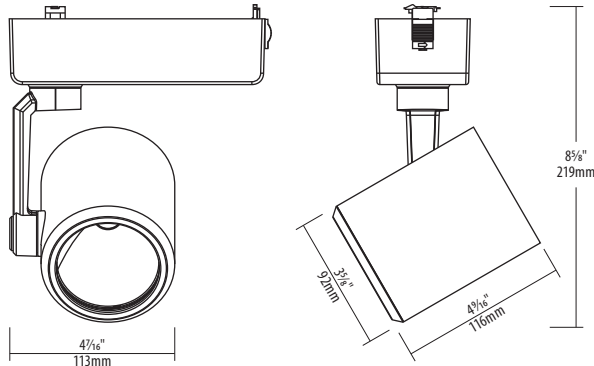
In-Stock products ship within two business days of an order being released.*



SPECIFICATION

Application	Track
Approved Location	Dry
Beam Angle	20° / 29° / 35°
CBCP	6447
CCT	3000 K / 3500 K
Certification	cETLus
Colour	BK / SL / WH
CRI	90
Dimming	Yes
Dimming Tech	TRIAC
Lumen Maintenance	70% @ 50,000 Hrs
Lumens	2200
Lumens per Watt	76
Primary Voltage	120V AC
Rated Life	40,000 hrs
Rotation	330°
Tilt	90°
Warranty	5 Years
Wattage	30

Technical Drawings



Ordering Guide

Connector Type	Color Temp.	Beam Spread	Finish Color
<input type="checkbox"/> - ATF7630 -	<input type="checkbox"/>	<input type="checkbox"/>	<input type="checkbox"/>
Blank : A-Line or Juno H : Halo L : Lightolier	30 : 3000 K 35 : 3500 K	29 : 29° 20 : 20° 35 : 35°	BK : Black SL : Silver WH : White



Highlighted option denotes QuickShip.

Accessories



ATF7630-BD-L1-BK

Barn door, black, for use with ATF7630 LED track head.



ATF7630-HC-L1-BK

Honeycomb, black, for use with ATF7630 LED track head.



ATF7630-SN-L1-BK

Snoot, black, for use with ATF7630 LED track head.

* QuickShip option is available on orders of 100 pieces or less. QuickShip lead time may vary for orders greater than 100 pieces. No additional shipment rates apply. Subject to availability.

Notes: For additional options please consult your A-Line Lighting representative. Juno is a registered trademark of Juno Lighting Group. Halo is a registered trademark of Cooper Lighting. Lightolier is a registered trademark of Philips. Due to our continued efforts to improve our products, product specifications are subject to change without notice.

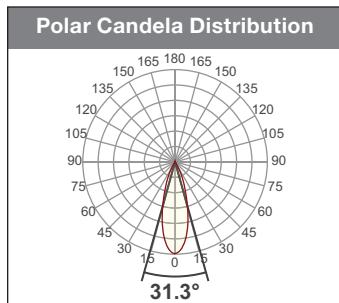
Compatible Dimmers

Brand	Model
Lutron	S-603PG
	DVCL-153P
	DV-600P
	TGCL-153P
	S-600P
	DVELV-303P
	SELV-300P
	TG-600P
	LG-600P
	CT-103P
	MAELV-600
	FAELV-500

Brand	Model
Leviton	IPI06-1LZ
	6631-2
	6683-IW
	6161
	6633-P
	IPE04
	VPE06
Cooper	DLC03P
	SLC03P
Lightolier	DAL06P
	ZP260QEW

Photometry

ATF7630-3029 : LED TRACK HEAD, 30W, 3000 K, 29° BEAM SPREAD



Beam Details

D	Lux	FC	L	W
4'	4353	404	2.2'	2.2'
8'	1088	101	4.5'	4.5'
12'	484	45	6.7'	6.7'
16'	272	25	9'	9'
20'	174	16	11.2'	11.2'

Zonal Lumen Summary

Zone	Lumens	% Luminaire
0-30	1,994.1	90.8%
0-40	2,081.7	94.8%
0-60	2,131.2	97.1%
60-90	43.6	2%
70-100	26.8	1.2%
90-120	7.8	0.4%
0-90	2,174.8	99.1%
90-180	20.8	0.9%
0-180	2,195.6	100%