



**3-INCH  
RECESSED FOR  
REMODEL HOUSINGS**

**HV31-HR02-RM**  
*LINE VOLTAGE 120V*



PROJECT
FIXTURE TYPE
MODEL
LAMP
CONTACT/TELEPHONE

**Specifications**

**Description**

3.5" Remodel line voltage housing with remodel lock-in clips, complete with baffle.

**Lamp Wattage / Type**

- Maximum 50W / PAR20, R20  
*(not included)*

**Features**

- Thermally protected to prevent over heating.
- For use with various Liteline 120V, PAR20, R20 lamps 50W max.
- For use in finished ceilings (without insulation).

**Housing**

Pre-painted steel to protect against corrosion.

**Electrical**

- 3 concentric 2/8 in k.o. input 120V, 60 Hz.

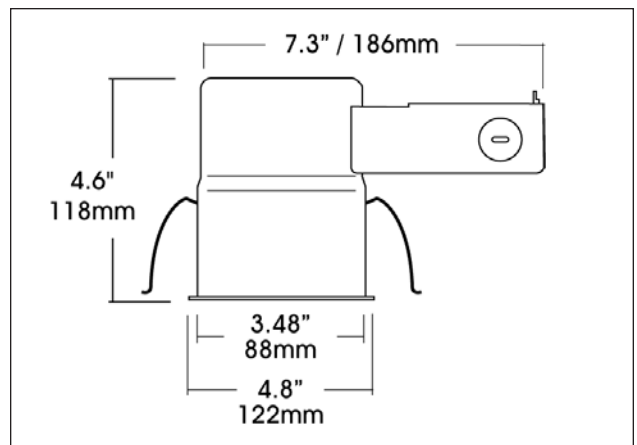
**Dimensions & Ordering Guide**

**Model**

- HV31-HR02-BK
- HV31-HR02-WH

**Description**

- 3" Remodel Housing with black baffle
- 3" Remodel Housing with white baffle



*All dimensions are in inches / millimeters*

**Listings**



**LITELINE CORPORATION**

8 Abacus Road, Brampton, Ontario, Canada L6T 5B7  
 Tel: 416-996-1856 • Fax: 905-794-1990 / 1-888-738-9736  
 E-mail: sales@liteline.com • Website: www.liteline.com

**Product specifications subject to change without notice.**