

MICROPOT

Recessed Pot Light, 235 Lumens, 3.5W
Recessed Downlighting

Job Information		
Project Name		Type
Location		
Quantity		Date
Contact/Phone		
Notes		

Features

Body Construction

The body is constructed from aluminum which acts as a heat sink for the 3.5W LED. Fixture includes a round reflector trim. Provided with toolless push in connector allows for daisy chain option, to be used with 18-2 AWG LVT cable (not provided). Suitable for indoor use only, dry and damp locations.

Housing

The LED MicroPOT wall light is installed in an aluminum housing which allow for enclosed wiring and the fixture to be installed where insulation is present. Housing includes a strain relief to secure electrical cables and two torsion clips for enhanced rigidity to recessed surface.

Power Consumption

This fixture operate on 24V constant voltage. Remote power supply required (See back for driver options).

Voltage Drop

Contact your Liteline representative for voltage drop calculation guidelines.

Light Output

This recessed light outputs a warm white (3000 K) colour temperature which provides 235 lumens.

Beam Spread

The fixture LED is provided with a lens providing medium beam spread.

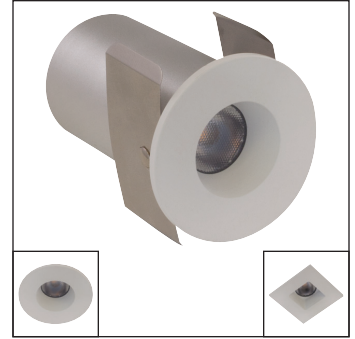
Installation

When installing MicroPOT in an insulated ceiling a vapour barrier (WL-VBE sold separately) and a pre-mounting plate (P-1750 sold separately) is required.

Applications

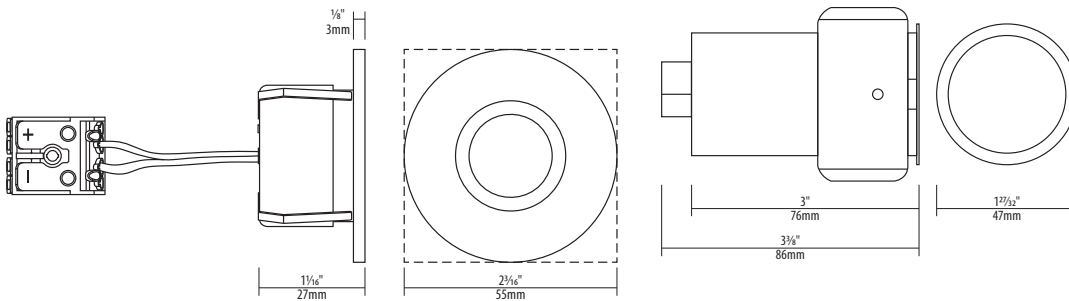
Suitable for use in showcases, kitchen cabinets, corridors/hallway accent lighting, restaurant millwork or wine cellars.

SPECIFICATION	
Approved Location	Damp, IC
Beam Angle	Medium
CCT	3000 K
Certification	cETLus
CRI	90+
Cut-hole	1 3/4" (44mm)
Dimming	Dimming driver
Insulation Contact	Yes
Lumen	235
Lumens per Watt	69
Material	Aluminum
Max. Temp.	40°C
Min. Start Temp.	-20°C
Power Supply Type	Constant Voltage
Primary Voltage	24
Projected Life	35,000 hrs
Warranty	3 Years
Watt	3.5W



Description

This 3.5W LED MicroPOT recessed pot light provides quality illumination for ambient accent lighting in hallways, corridors and entrances. Powered by a 24V constant voltage power supply (sold separately). Fixture is IC rated, suitable for indoor use only.



Notes: Accessories should be ordered separately. For additional options please consult your Liteline representative. Due to our continued efforts to improve our products, product specifications are subject to change without notice.

Ordering Guide

Shape: **MP15** - 3W30K-90 - Finish Color

R : Round
S : Square

BK : Black
FWH : Flat White
SL : Silver

QUICKSHIP
2-DAY

Accessories



WL-VBE
LED Wall Light Vapour Barrier.



P-1750
1 3/4" LED Wall Light Pre-mounting Plate.

Compatible Drivers

OnCloud

OnCloud Driver Kit



OC-HWB-60WUCP-1C

100-240VAC, 60W, 1-Channel 24VDC OnCloud driver kit, powers and controls wireless dimming and on/off capability through WiZ app, Room Controller and smart speakers.

OnCloud Adapter



LC-DVR-CV96W1UCP-1C

24V, 1-Channel OnCloud adapter, controls dimming and on/off capability through WiZ app, Room Controller and smart speakers.

Power feed required



LED-HWB-DC21-6-PF

DC 2.1 to bare leads power feed. Maximum 10' to first fixture.

* Power feed required for all drivers with DC 2.1 jack.

Non Dimming Class II

Hardwire Drivers



LED-HWB-24V-24W

LED 24V, 24W Hardwire Box LED Driver with DC 2.1 jack.

LED-HWB-24V-36W

LED 24V, 36W Hard wire Box LED Driver with DC 2.1 jack.

LED-HWB-24V-60W

LED 24V, 60W Hard wire Box LED Driver with DC 2.1 jack.

Power feed required



LED-HWB-DC21-6-PF

DC 2.1 to bare leads power feed. Maximum 10' to first fixture.

* Power feed required for all drivers with DC 2.1 jack.

Dimming Class II

Electronic Hardwire Drivers – DC 2.1 – Powered by Lutron®



LED-HWBDIM2-24-40

40W LED dimmable hardwire driver with DC 2.1 jack. 2-wire, 24V, powered by Lutron®.

LED-HWBDIM3-24-40

40W LED dimmable hardwire driver with DC 2.1 jack. 3-wire, 24V, powered by Lutron®.

Power feed required



LED-HWB-DC21-6-PF

DC 2.1 to bare leads power feed. Maximum 10' to first fixture.

* Power feed required for all drivers with DC 2.1 jack.

Electronic Hardwire Drivers – Hardwire



HWB-DIM-EDC-24V-25W

25W dimmable electronic hardwire driver, 24V.



HWB-DIM-EDC-24V-50W

50W dimmable electronic hardwire driver, 24V.



HWB-DIM-EDC-24V-96W

96W dimmable electronic hardwire driver, 24V.

Wiring Diagram

