

# RTM415S

4" Adjustable Square Shower Trim  
For MR16 Lamps

Job Information		
Project Name		Type
Location		
Quantity		Date
Contact/Phone		
Notes		

## Features

### Trim

Constructed of precision stamped 0.040" steel flange with a super low profile. Finished with enamel paint or plating. Inner specular reflector is constructed of precision spun aluminum.

### Aiming Adjustment

The lamp holder provides for a vertical tilting capability of up to 30°.

### Lens

Frosted glass lens designed to protect the lamp from moisture, shield heat and provide a softer light source.

### Mounting

Three pressure mounting clips constructed of steel to provide enhanced rigidity.

### Lamps

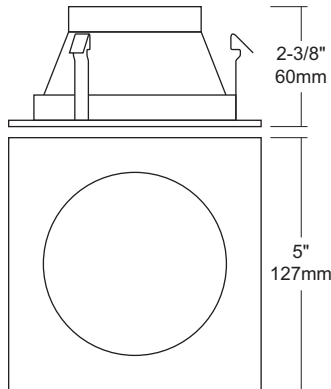
- 12V MR16 (GU5.3 base), 35W max.
- 120V MR16 GU10, 35W max.
- 120V MR16 E26, 35W max.



## Description

The RTM415S adjustable shower trim combines a watertight design with an adjustable light source for just the right orientation of light in the shower or other wet locations. The contemporary design makes it ideal for use in foyers, hallways, living rooms and offices.

**Notes:** Accessories should be ordered separately. For additional options please consult your Liteline representative. Due to our continued efforts to improve our products, product specifications are subject to change without notice.



## Ordering Guide



**RTM415S-FWH**  
4" Matte white square shower trim.



**RTM415S-STSS**  
4" Stainless steel square shower trim.



**RTM415S-WH**  
4" White square shower trim.